

ADAPTER W.FL PLUG SMA JACK

SM9861

SPECIFICATIONS

ELECTRICAL

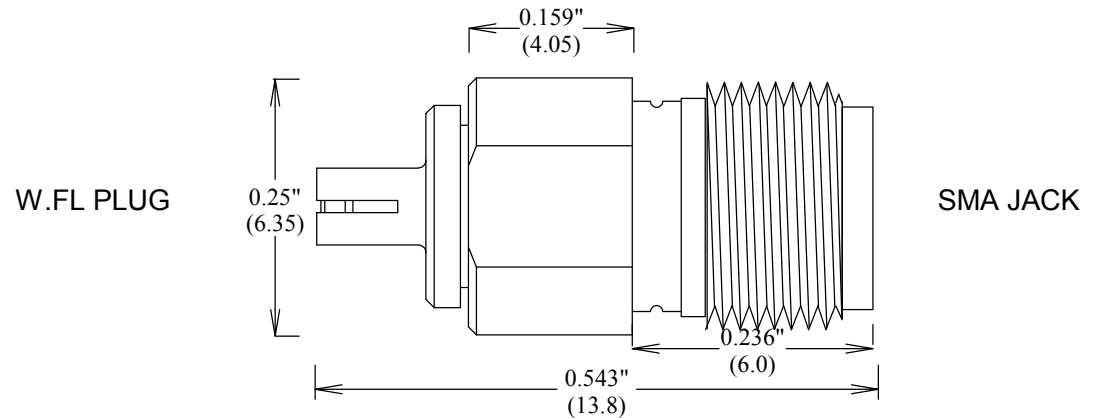
FREQUENCY: 0-6 GHZ
IMPEDANCE: 50 OHMS
VSWR: 1.35

MECHANICAL

MATERIALS: PHOSPHOR BRONZE
CONTACT PLATING Au PER MIL-G-45204

OP TEMP -40° TO +70° C

ROHS COMPLIANT



FAIRVIEW MICROWAVE INC.

ALLEN, TX 75013 WWW.FAIRVIEWMICROWAVE.COM

TITLE

ADAPTER W.FL PLUG SMA JACK

ALL DIMENSIONS IN inches(MM) Typical	SIZE	CAGE CODE	DWG NO	REV
	A	3FKR5	SM9861	A
	SCALE		SHEET	