

3.5mm NMD Female to 2.92mm Female Adapter with Stainless Steel Body

3.5mm NMD female to 2.92mm female adapter part number SM9976 from Fairview Microwave is in-stock and ships same day. This Fairview 3.5mm NMD to 2.92mm adapter has a female to female gender configuration and is built of durable stainless steel. SM9976 3.5mm NMD female to 2.92mm female adapter operates to 34.5 GHz. The Fairview Microwave RF adapter provides excellent VSWR of 1.25:1 maximum.

RF adapters can be used to enable connections between two connector types that would otherwise not mate. Certain RF adapter configurations can also be used to protect connectors on expensive equipment where the number of connect and disconnect cycles is high. An RF, microwave, or millimeter wave adapter is connected to the equipment and the commonly changed connection is made with the adapter which can be easily replaced when it wears out after high usage; such adapters are referred to as connector savers. Fairview Microwave also offers bulkhead, panel mount, hermetically sealed, reverse polarity, and isolated ground adapter varieties to serve all of your RF, microwave and millimeter wave needs.

Electrical Specifications

Description	Min	Typ	Max	Units
Frequency Range	DC		34.5	GHz
VSWR			1.25:1	
Operating Voltage (AC)			500	Vrms

Mechanical Specifications

Size	
Length	1.330 in [33.8 mm]
Width	0.87 in [22.1 mm]
Height	0.87 in [22.1 mm]

Description	Connector 1	Connector 2
Type	3.5mm NMD Female	2.92mm Female
Polarity	Standard	Standard

Material Specifications

Description	Connector 1	Connector 2
Type	3.5mm NMD Female	2.92mm Female
Contact Material	Beryllium Copper	Beryllium Copper
Contact Plating	Gold	Gold
Contact Plating Spec.	4 µin minimum	4 µin minimum
Body Material	Stainless Steel	Stainless Steel
Body Plating	Passivated Stainless Steel	Passivated Stainless Steel
Body Plating Spec.	100 µin minimum	100 µin minimum

Environmental Specifications

Temperature	
Operating Range	-65 to +165 deg C



Configuration:

- 3.5mm NMD Female Connector 1
- 2.92mm Female Connector 2
- 50 Ohm
- Straight Body Geometry

Features:

- VSWR of 1.25:1 max up to 34.5 GHz
- 4 µin minimum contact plating
- Gold Plated Beryllium Copper Contact
- 30 µin min Gold Contact Plating

Applications:

- Enables Between Series Connections
- General Purpose Test

Fairview Microwave
301 Leora Ln., Suite 100
Lewisville, TX 75056
Tel: 1-800-715-4396 / (972) 649-6678
Fax: (972) 649-6689
www.fairviewmicrowave.com
sales@fairviewmicrowave.com

Compliance Certifications (see [product page](#) for current document)

Plotted and Other Data

Notes:

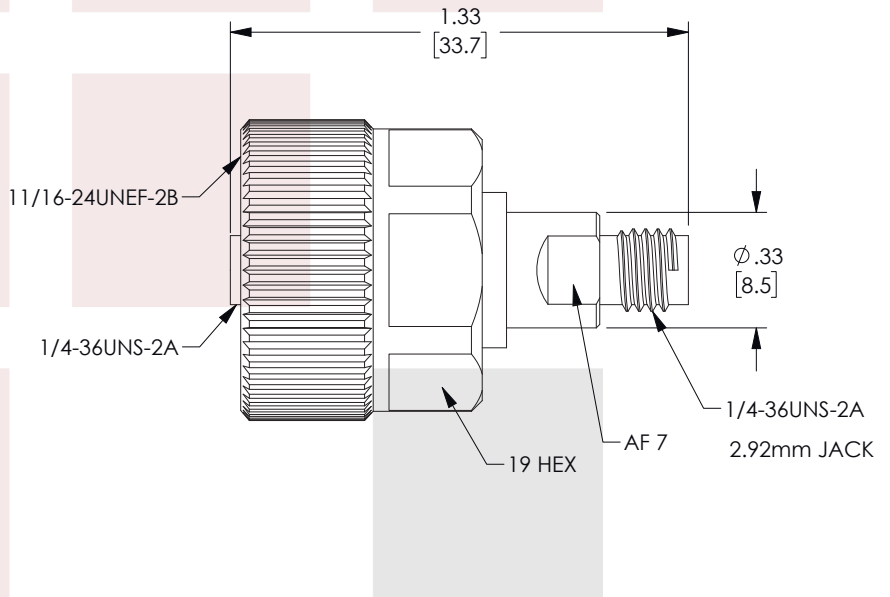
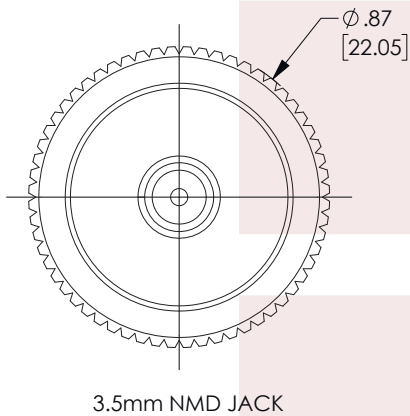
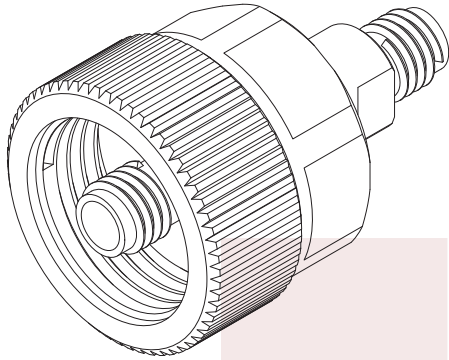
3.5mm NMD Female to 2.92mm Female Adapter with Stainless Steel Body from Fairview Microwave is in-stock and available to ship same-day. All of our RF/microwave products are available off-the-shelf from our ISO 9001:2008 certified facilities in Lewisville, Texas. Fairview Microwave is RF on-demand.

For additional information on this product, please click the following link: [3.5mm NMD Female to 2.92mm Female Adapter with Stainless Steel Body SM9976](#)

URL: <https://www.fairviewmicrowave.com/3.5mm-nmd-female-to-2.92mm-female-adapter-with-stainless-steel-body-sm9976-p.aspx>

The information contained in this document is accurate to the best of our knowledge and representative of the part described herein. It may be necessary to make modifications to the part and/or the documentation of the part, in order to implement improvements. Fairview Microwave reserves the right to make such changes as required. Unless otherwise stated, all specifications are nominal. Fairview Microwave does not make any representation or warranty regarding the suitability of the part described herein for any particular purpose, and Fairview Microwave does not assume any liability arising out of the use of any part or documentation.

REVISIONS			
REV.	DESCRIPTION	DATE	APPROVED
A	INITIAL RELEASE	8/17/2021	BWOODS



THESE COMMODITIES, TECHNOLOGY OR SOFTWARE WERE EXPORTED FROM THE UNITED STATES IN ACCORDANCE WITH THE EXPORT ADMINISTRATION REGULATIONS. DIVERSION CONTRARY TO U.S. LAW PROHIBITED.

TITLE
3.5mm NMD Female to 2.92mm Female Adapter with Stainless Steel Body

UNLESS OTHERWISE SPECIFIED LEADING DIMENSIONS ARE INCHES
DIMENSIONS IN [] ARE MILLIMETERS

TOLERANCES:		CABLE LENGTH (L) TOLERANCES:	
.X = ±.2 [5.08]	FRACTIONS ± 1/32	L ≤ 12 [305] = +1 [25] / -0	
.XX = ±.02 [.51]		12 [305] < L ≤ 60 [1524] = +2 [51] / -0	
.XXX = ±.005 [.13]	ANGLES ± 1°	60 [1524] < L ≤ 120 [3048] = +4 [102] / -0	
		120 [3048] < L ≤ 300 [7620] = +6 [152] / -0	
		300 [7620] < L = +5%L / -0	

THIRD-ANGLE PROJECTION
THE INFORMATION AND DESIGN IN THIS DOCUMENT IS THE PROPERTY OF FAIRVIEW MICROWAVE CORPORATION. ALL RIGHTS RESERVED.

SHEET 1 OF 1

ALL DIMENSIONS SHOWN ARE FOR REFERENCE ONLY.

SCALE N/A

SIZE A	CAGE CODE 3FKR5	DRAWN BY DMAY	ITEM NO. SM9976	REV A
-----------	--------------------	------------------	--------------------	----------

T-Rev.D