

2.92mm NMD Female to N Female Adapter with Stainless Steel Body

2.92mm NMD female to type N female adapter part number SM9983 from Fairview Microwave is in-stock and ships same day. This Fairview 2.92mm NMD to type N adapter has a female to female gender configuration and is built of durable stainless steel. SM9983 2.92mm NMD female to type N female adapter operates to 18 GHz. The Fairview Microwave RF adapter provides excellent VSWR of 1.15:1 maximum.

RF adapters can be used to enable connections between two connector types that would otherwise not mate. Certain RF adapter configurations can also be used to protect connectors on expensive equipment where the number of connect and disconnect cycles is high. An RF, microwave, or millimeter wave adapter is connected to the equipment and the commonly changed connection is made with the adapter which can be easily replaced when it wears out after high usage; such adapters are referred to as connector savers. Fairview Microwave also offers bulkhead, panel mount, hermetically sealed, reverse polarity, and isolated ground adapter varieties to serve all of your RF, microwave and millimeter wave needs.

Electrical Specifications

| Description | Min | Typ | Max | Units |
|------------------------|-----|-----|--------|-------|
| Frequency Range | DC | | 18 | GHz |
| VSWR | | | 1.15:1 | |
| Operating Voltage (AC) | | | 500 | Vrms |

Mechanical Specifications

| | |
|-------------|--------------------|
| Size | |
| Length | 1.720 in [43.7 mm] |
| Width | 0.87 in [22.1 mm] |
| Height | 0.87 in [22.1 mm] |

| Description | Connector 1 | Connector 2 |
|-------------|-------------------|-------------|
| Type | 2.92mm NMD Female | N Female |
| Polarity | Standard | Standard |

Material Specifications

| Description | Connector 1 | Connector 2 |
|-----------------------|----------------------------|----------------------------|
| Type | 2.92mm NMD Female | N Female |
| Contact Material | Beryllium Copper | Beryllium Copper |
| Contact Plating | Gold | Gold |
| Contact Plating Spec. | 4 µin minimum | 4 µin minimum |
| Body Material | Stainless Steel | Stainless Steel |
| Body Plating | Passivated Stainless Steel | Passivated Stainless Steel |
| Body Plating Spec. | 100 µin minimum | 100 µin minimum |

Environmental Specifications

| | |
|--------------------|-------------------|
| Temperature | |
| Operating Range | -65 to +165 deg C |



Configuration:

- 2.92mm NMD Female Connector 1
- N Female Connector 2
- 50 Ohm
- Straight Body Geometry

Features:

- VSWR of 1.15:1 max up to 18 GHz
- 4 µin minimum contact plating
- Gold Plated Beryllium Copper Contact
- 30 µin min Gold Contact Plating

Applications:

- Enables Between Series Connections
- General Purpose Test

Fairview Microwave
301 Leora Ln., Suite 100
Lewisville, TX 75056
Tel: 1-800-715-4396 / (972) 649-6678
Fax: (972) 649-6689
www.fairviewmicrowave.com
sales@fairviewmicrowave.com

Compliance Certifications (see [product page](#) for current document)

Plotted and Other Data

Notes:

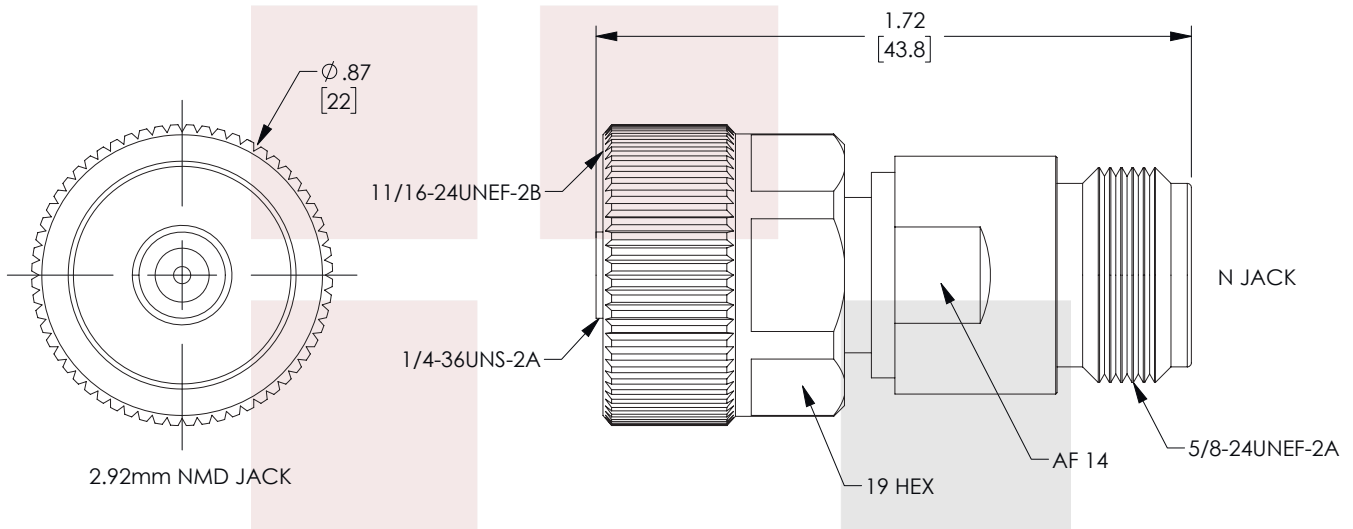
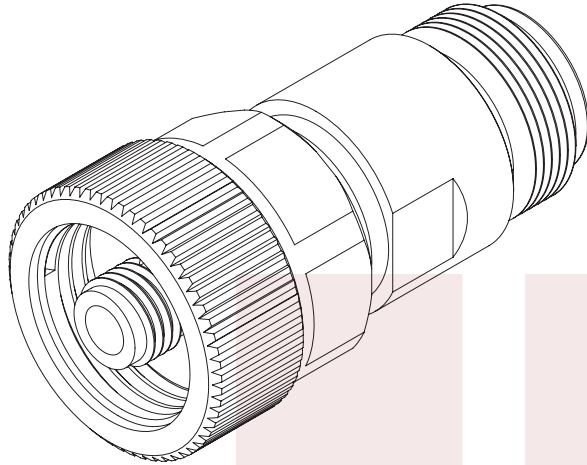
2.92mm NMD Female to N Female Adapter with Stainless Steel Body from Fairview Microwave is in-stock and available to ship same-day. All of our RF/microwave products are available off-the-shelf from our ISO 9001:2008 certified facilities in Lewisville, Texas. Fairview Microwave is RF on-demand.

For additional information on this product, please click the following link: [2.92mm NMD Female to N Female Adapter with Stainless Steel Body SM9983](#)

URL: <https://www.fairviewmicrowave.com/2.92mm-nmd-female-to-n-female-adapter-with-stainless-steel-body-sm9983-p.aspx>

The information contained in this document is accurate to the best of our knowledge and representative of the part described herein. It may be necessary to make modifications to the part and/or the documentation of the part, in order to implement improvements. Fairview Microwave reserves the right to make such changes as required. Unless otherwise stated, all specifications are nominal. Fairview Microwave does not make any representation or warranty regarding the suitability of the part described herein for any particular purpose, and Fairview Microwave does not assume any liability arising out of the use of any part or documentation.

| REVISIONS | | | |
|-----------|-----------------|-----------|----------|
| REV. | DESCRIPTION | DATE | APPROVED |
| A | INITIAL RELEASE | 8/17/2021 | BWOODS |



THESE COMMODITIES, TECHNOLOGY OR SOFTWARE WERE EXPORTED FROM THE UNITED STATES IN ACCORDANCE WITH THE EXPORT ADMINISTRATION REGULATIONS. DIVERSION CONTRARY TO U.S. LAW PROHIBITED.

TITLE

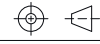
2.92mm NMD Female to N Female Adapter with Stainless Steel Body

UNLESS OTHERWISE SPECIFIED LEADING DIMENSIONS ARE INCHES
DIMENSIONS IN [] ARE MILLIMETERS

TOLERANCES: CABLE LENGTH (L) TOLERANCES:

| | | |
|--------------------|------------------|---|
| .X = ±.2 [5.08] | FRACTIONS ± 1/32 | L ≤ 12 [305] = +1 [25] / -0 |
| .XX = ±.02 [.51] | ANGLES ± 1° | 12 [305] < L ≤ 60 [1524] = +2 [51] / -0 |
| .XXX = ±.005 [.13] | | 60 [1524] < L ≤ 120 [3048] = +4 [102] / -0 |
| | | 120 [3048] < L ≤ 300 [7620] = +6 [152] / -0 |
| | | 300 [7620] < L = +5%L / -0 |

THIRD-ANGLE PROJECTION



THE INFORMATION AND DESIGN IN THIS DOCUMENT IS THE PROPERTY OF FAIRVIEW MICROWAVE CORPORATION. ALL RIGHTS RESERVED.

SHEET 1 OF 1

ALL DIMENSIONS SHOWN ARE FOR REFERENCE ONLY.

SCALE N/A

| | | | | |
|--------|-----------------|---------------|-----------------|-------|
| SIZE A | CAGE CODE 3FKR5 | DRAWN BY DMAY | ITEM NO. SM9983 | REV A |
|--------|-----------------|---------------|-----------------|-------|

T-Rev.D