

1.85 M CONN 047 65GHZ

SMC185-0355

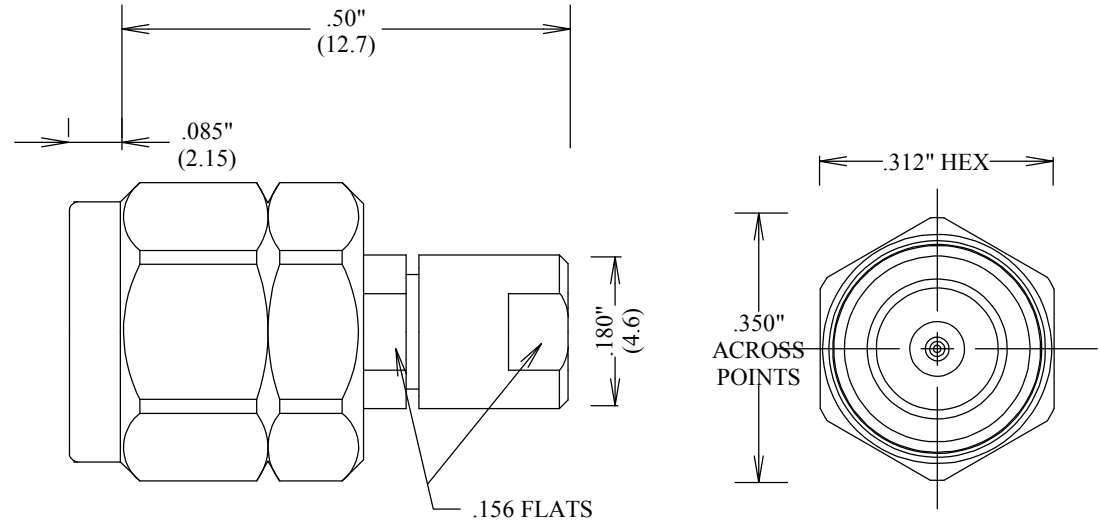
SPECIFICATIONS

ELECTRICAL
50 OHMS
VSWR 1.33:1 MAX @ 65 GHZ
FREQUENCY: DC-65 GHZ

MECHANICAL
500 CYCLES MIN
4.0 INCH-OUNCES MIN CONTACT TORQUE
8-10 LBS COUPLING NUT MATING TORQUE

ENVIRONMENTAL
-55 DEG C TO +100 DEG C
CORROSION: MIL-STD 202
VIBRATION: MIL-STD 202

MATERIALS PASSIVATED STAINLESS STEEL
BODY: SST ASTM A484 / A582
BeCu ATSM-B-196
PASSIVATED ASTM A380
CENTER CONTACTS Au PLATED
MIL-G-45204



FAIRVIEW MICROWAVE INC.

ALLEN, TX 75013 WWW.FAIRVIEWMICROWAVE.COM

TITLE

1.85 M CONN 047 65GHZ

SIZE	CAGE CODE	DWG NO	REV
A	3FKR5	SMC185-0355	--
SCALE		SHEET	

ALL DIMENSIONS IN inches(MM) Typical