



2.4mm M .085 SEMI-RIGID

SMC24-085M

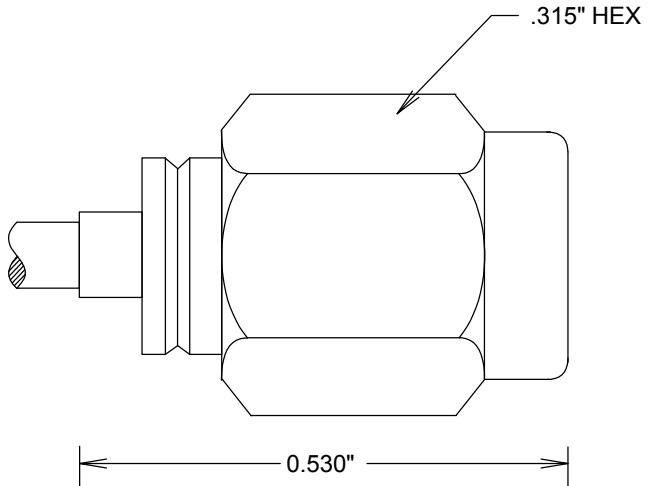
SPECIFICATIONS

ELECTRICAL
 50 OHMS
 VSWR 1.3:1 MAX @ 50 GHZ
 FREQUENCY: DC-50 GHZ

MECHANICAL
 500 CYCLES MIN
 4.0 INCH-OUNCES MIN CONTACT TORQUE
 8-10 LBS COUPLING NUT MATING TORQUE

ENVIRONMENTAL
 -55 DEG C TO +100 DEG C
 CORROSION: MIL-STD 202
 VIBRATION: MIL-STD 202

MATERIALS PASSIVATED STAINLESS STEEL
 BODY: SST ASTM A484 / A582
 BeCu ATSM-B-196
 PASSIVATED ASTM A380
 CENTER CONTACTS Au PLATED
 MIL-G-45204



				FAIRVIEW MICROWAVE INC.			
				ALLEN, TX 75013 WWW.FAIRVIEWMICROWAVE.COM			
				TITLE			
				2.4mm M .085 SEMI-RIGID			
SIZE		CAGE CODE		DWG NO		REV	
A		3FKR5		SMC24-085M		--	
SCALE				SHEET			

