

**N Female Bulkhead Connector Solder Attachment For RG402 Cable**

**Electrical Specifications**

Description	Min	Typ	Max	Units
Frequency Range	DC		11	GHz
VSWR			1.3:1	

**Mechanical Specifications**

<b>Size</b>			
Length			1.33 in [33.78 mm]
Weight			0.07937 lbs [36 g]

**Material Specifications**

Description	Material	Plating
Contact	Beryllium Copper	Gold MIL-G-45204
Insulation	PTFE	
Outer Conductor	Stainless Steel	Passivated
Body	Stainless Steel	Passivated

**Environmental Specifications**

<b>Temperature</b>		
Operating Range		-55 to 155 deg C

**Compliance Certifications** (visit [www.FairviewMicrowave.com](http://www.FairviewMicrowave.com) for current document)

RoHS Compliant	Yes
REACH Compliant	12/17/2015



**Configuration:**

- N Female Connector
- 50 Ohms
- Straight Body Geometry
- RG402 Interface Type
- Solder/Solder Attachment
- Bulkhead

Fairview Microwave  
 1130 Junction Dr. #100  
 Allen, TX 75013  
 Tel: 1-800-715-4396 / (972) 649-6678  
 Fax: (972) 649-6689  
[www.fairviewmicrowave.com](http://www.fairviewmicrowave.com)  
[sales@fairviewmicrowave.com](mailto:sales@fairviewmicrowave.com)

**Plotted and Other Data**

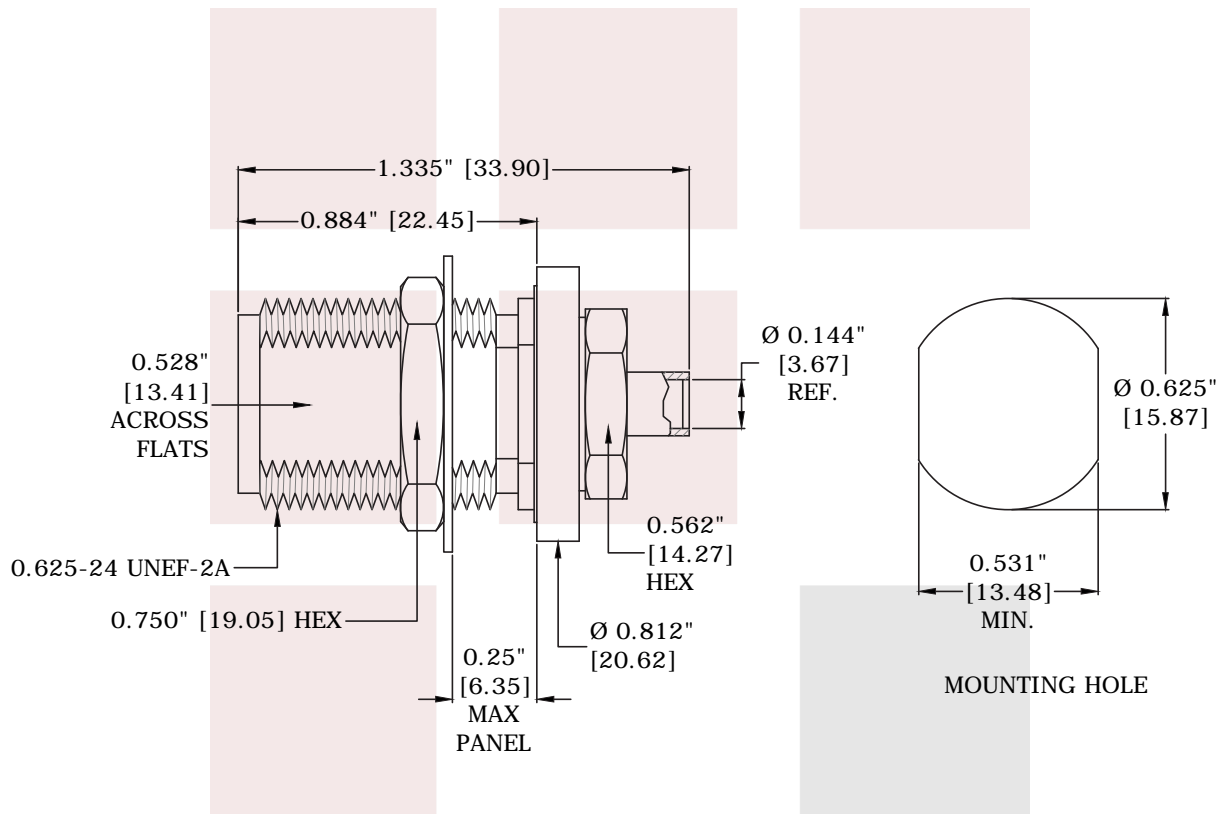
Notes:

N Female Bulkhead Connector Solder Attachment For RG402 Cable from Fairview Microwave is in-stock and available to ship same-day. All of our RF/microwave products are available off-the-shelf from our ISO 9001:2008 certified facilities in Allen, Texas. Fairview Microwave is RF on-demand.

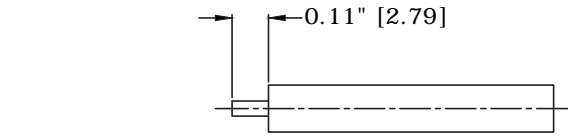
For additional information on this product, please click the following link: [N Female Bulkhead Connector Solder Attachment For RG402 Cable SMC4032N](#)

URL: <https://www.fairviewmicrowave.com/n-female-rg402-connector-smc4032n-p.aspx>

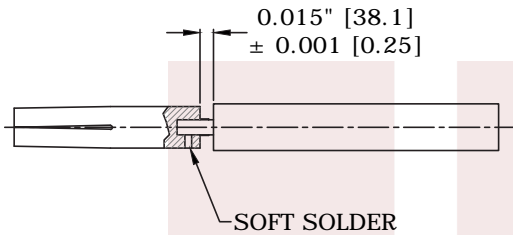
The information contained in this document is accurate to the best of our knowledge and representative of the part described herein. It may be necessary to make modifications to the part and/or the documentation of the part, in order to implement improvements. Fairview Microwave reserves the right to make such changes as required. Unless otherwise stated, all specifications are nominal. Fairview Microwave does not make any representation or warranty regarding the suitability of the part described herein for any particular purpose, and Fairview Microwave does not assume any liability arising out of the use of any part or documentation.



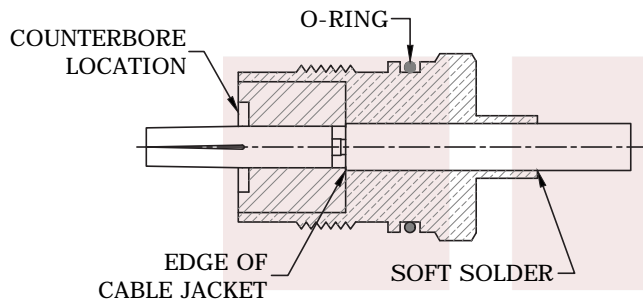
<b>FAIRVIEW MICROWAVE INC.</b> ALLEN, TX 75013 WWW.FAIRVIEWMICROWAVE.COM		NOTES: 1. UNLESS OTHERWISE SPECIFIED ALL DIMENSIONS ARE NOMINAL. 2. ALL SPECIFICATIONS ARE SUBJECT TO CHANGE WITHOUT NOTICE AT ANY TIME. 3. DIMENSIONS ARE IN INCHES [mm].			
TITLE N Female Bulkhead Connector Solder Attachment For RG402 Cable		DWG NO <b>SMC4032N</b>		CAGE CODE <b>3FKR5</b>	
CAD FILE	071416	SHEET	SCALE	N/A	SIZE A 5568



1.) TRIM DIELECTRIC AND CENTER CONDUCTOR TO DIMENSION SHOWN. (DO NOT NICK CENTER CONDUCTOR)



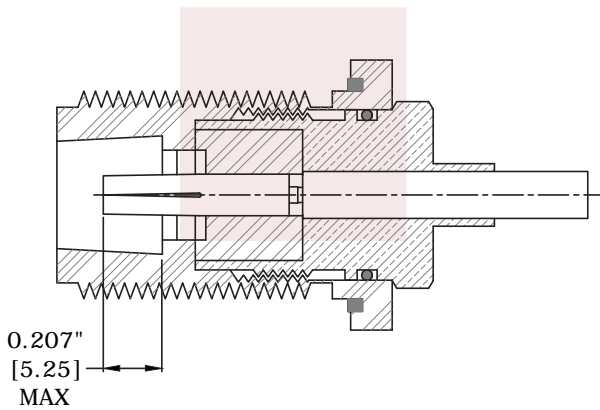
2.) SOLDER CONTACT ONTO CABLE IN POSITION SHOWN.



3.) SLIDE CABLE INTO CABLE NUT KEEPING EDGE OF CABLE JACKET FLUSH WITH COUNTERBORE IN NUT. SOLDER NUT INTO PLACE.

4.) SLIDE INSULATOR INTO COUNTERBORE OF NUT. NOTE LOCATION OF COUNTERBORE IN INSULATOR.

5.) ASSEMBLE O-RING ONTO OUTSIDE OF NUT AS SHOWN.



6.) ASSEMBLE THE BODY ONTO CABLE ASSEMBLY AND TORQUE NIT TO 25-30 IN-LBS.

<b>FAIRVIEW MICROWAVE INC.</b> ALLEN, TX 75013 WWW.FAIRVIEWMICROWAVE.COM		NOTES: 1. UNLESS OTHERWISE SPECIFIED ALL DIMENSIONS ARE NOMINAL. 2. ALL SPECIFICATIONS ARE SUBJECT TO CHANGE WITHOUT NOTICE AT ANY TIME. 3. DIMENSIONS ARE IN INCHES [mm].			
TITLE N Female Bulkhead Connector Solder Attachment For RG402 Cable		DWG NO <b>SMC4032N</b>		CAGE CODE <b>3FKR5</b>	
		CAD FILE 071416	SHEET	SCALE N/A	SIZE A 5568