

COUPLER N 800-2500 MHZ N-F'S

SMC4035

SPECIFICATIONS

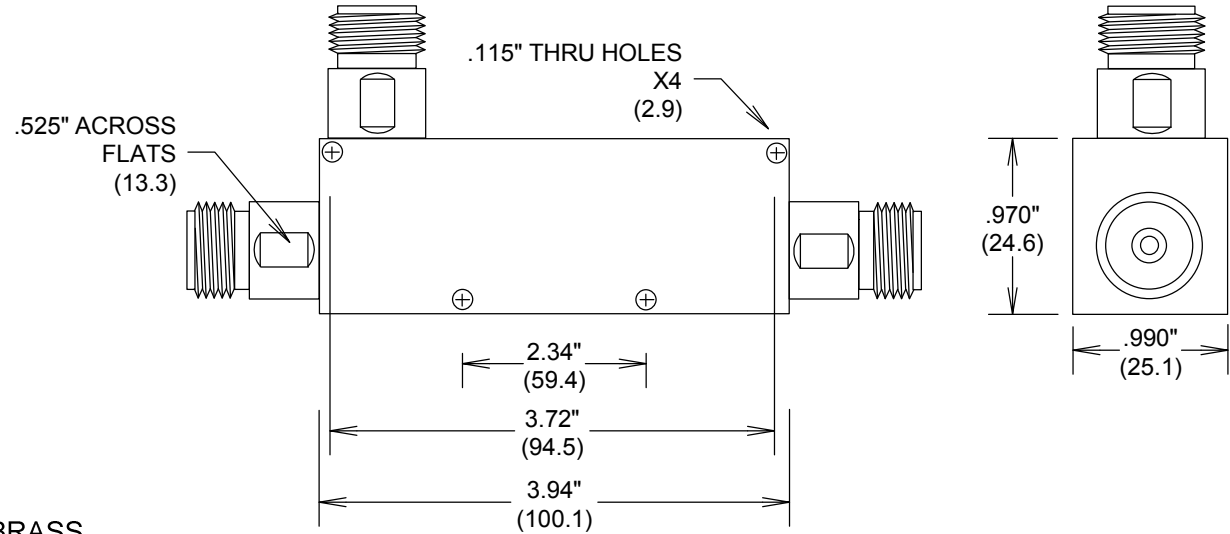
ELECTRICAL

FREQUENCY: 800-2500 MHZ
 DIRECTIVITY: 20 DB
 POWER: 60 W AVG
 IMPEDANCE: 50 OHMS
 VSWR: 1.25
 INSERTION LOSS: 0.4-0.5 DB
 COUPLING:
 6 DB: 6 +/- 0.5 DB
 10 DB: 10 +/- 0.8 DB
 15 DB: 15 +/- 1.0 DB
 20 DB: 20 +/- 1.0 DB

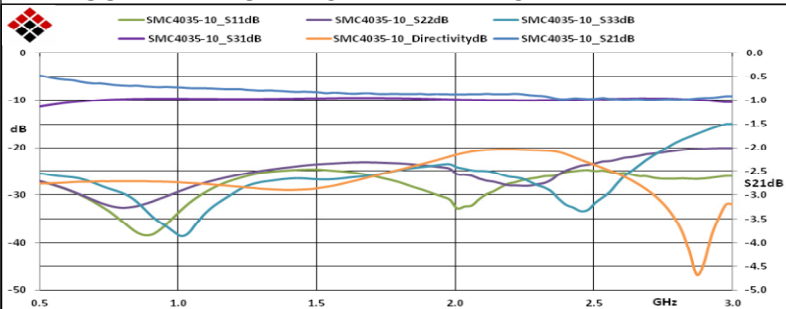
MECHANICAL

MATERIALS BODY: ALUMINUM
 CONNECTORS: NICKEL PLATED BRASS
 CONTACTS: BeCu
 DIELECTRIC: TEFLON

INTERFACE: MIL-STD-348
 IN ACCORDANCE WITH: MIL-PRF-39012
 ROHS COMPLIANT



MEASUREMENTS BELOW ARE TYPICAL



ALL DIMENSIONS IN inches(MM) Typical

FAIRVIEW MICROWAVE INC.

ALLEN, TX 75013 WWW.FAIRVIEWMICROWAVE.COM

TITLE

COUPLER N 800-2500 MHZ N-F'S

SIZE	CAGE CODE	DWG NO	REV
A	3FKR5	SMC4035	A
SCALE	SHEET		