

SMA Limiter High Power 100 ns Recovery With 14 dBm Flat Leakage Operating From 2 GHz to 18 GHz

SML-0218-01-14-SMA is a High Power Limiter that operates from 2 GHz to 18 GHz. The Limiter handles 200 W Peak Power and operates from -55 Deg C to +125 Deg C. The RF Input has an SMA Male connector and the RF Output has an SMA Female connector.

Electrical Specifications

Description	Min	Typ	Max	Unit
Frequency Range	2		18	GHz
Insertion Loss @Pin=-10 dBm			2	dB
Input VSWR			2:1	
Output VSWR			2:1	
Leakage (CW) @ 1 Watt CW			+14	dBm
Recovery Time @Pin=27 dBm			100	ns
Input Power (CW) Derated by 20% @ +125°C			1	Watt
Input Power (Peak) @1us pulse, 0.1% Duty Cycle			200	Watt
Limiting Threshold		+6		dBm

Electrical Specification Notes:
 Values at 25°C, sea level.

Mechanical Specifications

Size	
Length	0.75 in [19.05 mm]
Width	1 in [25.4 mm]
Height	0.3 in [7.62 mm]
Weight	0.033 lbs [14.97 g]

Configuration

Style	High Power Limiter
Connector 1	SMA Male
Connector 2	SMA Female

Environmental Specifications

Temperature	
Operating Range	-55 to +125 deg C
Storage Range	-65 to +125 deg C



Features:

- High Speed 200 Watt Peak Limit
- 2 GHz to 18 GHz Frequency Range
- Insertion Loss @ -10 dBm 2 dB Max
- VSWR 2.0: 1
- Leakage @ 1 Watt CW +14 dBm Max
- Recovery Time 100 ns
- Limiting Threshold +6 dBm
- High Power Handling
- Very Fast Recovery Time

Applications:

- Electronic Warfare
- Test & Measurement
- Military & Space
- Military Communication Systems
- Stabilizing generator outputs
- Reducing amplitude variations
- Protects low noise amplifiers and other devices from ESD or input power damage
- Receiver Protection
- Weapon systems

Fairview Microwave
 1130 Junction Dr. #100
 Allen, TX 75013
 Tel: 1-800-715-4396 / (972) 649-6678
 Fax: (972) 649-6689
www.fairviewmicrowave.com
sales@fairviewmicrowave.com

Humidity	MIL-STD-202F, METHOD 103B COND. B
Shock	MIL-STD-202F, METHOD 213B COND. B
Vibration	MIL-STD-202F, METHOD 204D COND. B
Altitude	MIL-STD-202F, METHOD 105C COND. B
Temperature Cycle	MIL-STD-202F, METHOD 107D COND. A
Fungus	MIL-STD-810F, METHOD 508.5
Salt Fog	MIL-STD-202F, METHOD 101D+EST Cond.B
ESD Sensitivity	Transport material in Approved ESD bags. Handle only in approved ESD Workstation.



Compliance Certifications (visit www.FairviewMicrowave.com for current document)
 Not RoHS Compliant

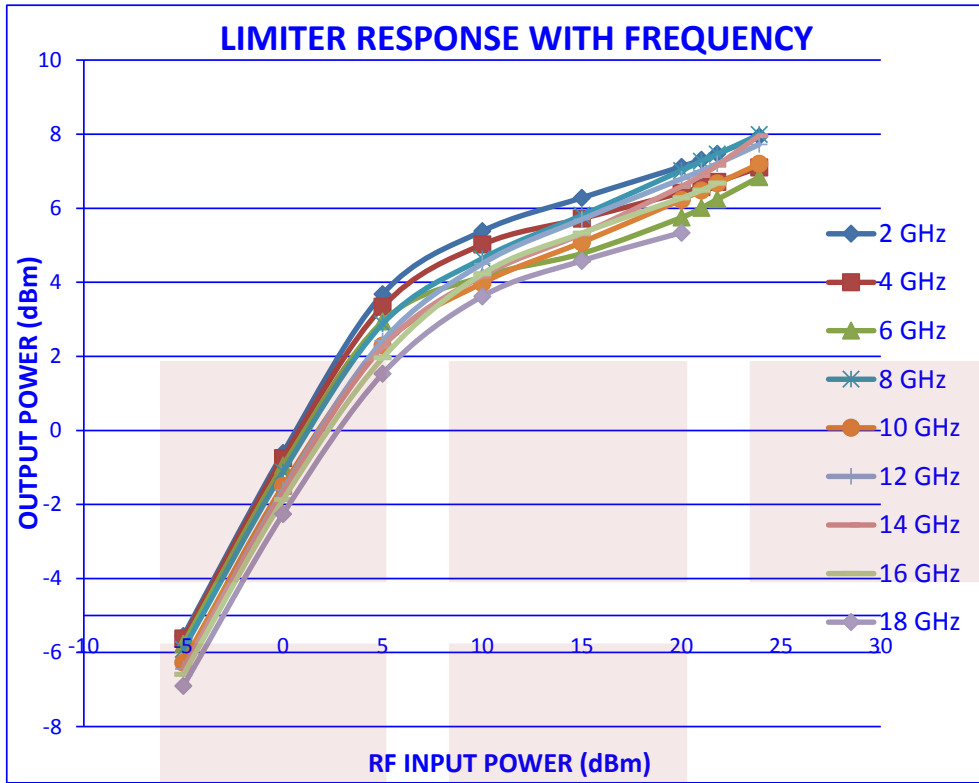
Plotted and Other Data

- Notes:
- Values at 25°C, sea level.

Typical Performance Data

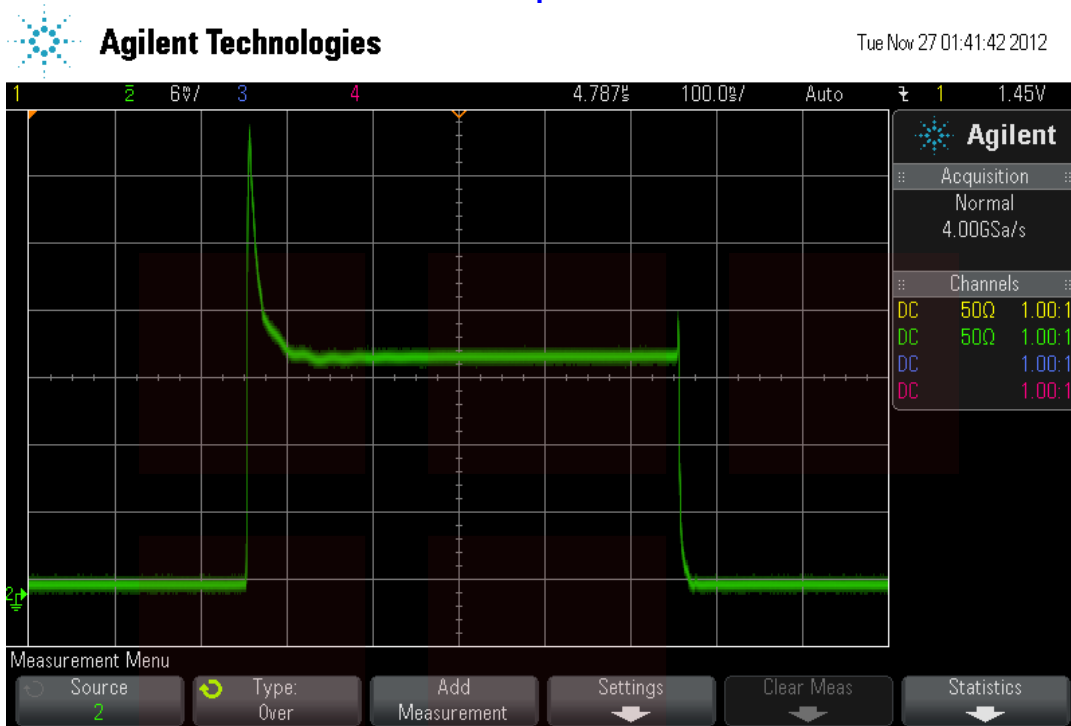
Insertion Loss and Return Loss





Recovery Time

100ns per Div.

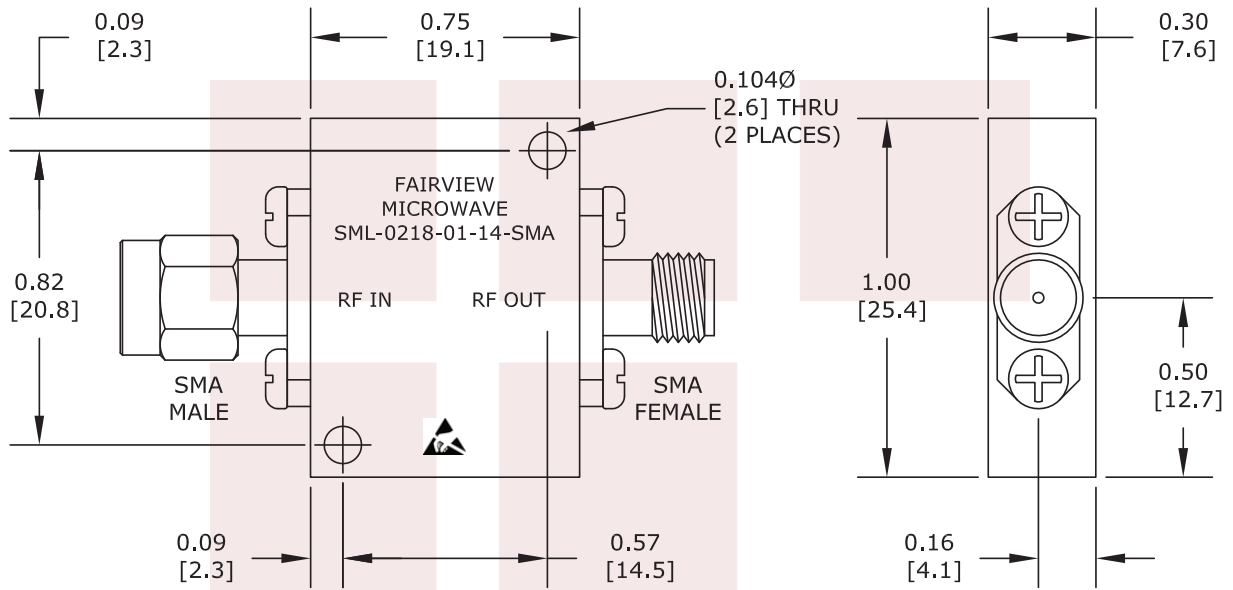


SMA Limiter High Power 100 ns Recovery With 14 dBm Flat Leakage Operating From 2 GHz to 18 GHz from Fairview Microwave is in-stock and available to ship same-day. All of our RF/microwave products are available off-the-shelf from our ISO 9001:2008 certified facilities in Allen, Texas. Fairview Microwave is RF on-demand.

For additional information on this product, please click the following link: [SMA Limiter High Power 100 ns Recovery With 14 dBm Flat Leakage Operating From 2 GHz to 18 GHz SML-0218-01-14-SMA](http://www.fairviewmicrowave.com/sma-limiter-high-power-100-ns-18-ghz-sml-0218-01-14-sma)

URL: <http://www.fairviewmicrowave.com/sma-limiter-high-power-100-ns-18-ghz-sml-0218-01-14-sma-p.aspx>

The information contained in this document is accurate to the best of our knowledge and representative of the part described herein. It may be necessary to make modifications to the part and/or the documentation of the part, in order to implement improvements. Fairview Microwave reserves the right to make such changes as required. Unless otherwise stated, all specifications are nominal. Fairview Microwave does not make any representation or warranty regarding the suitability of the part described herein for any particular purpose, and Fairview Microwave does not assume any liability arising out of the use of any part or documentation.



FAIRVIEW MICROWAVE INC. ALLEN, TX 75013 WWW.FAIRVIEWMICROWAVE.COM		NOTES: 1. UNLESS OTHERWISE SPECIFIED ALL DIMENSIONS ARE NOMINAL. 2. ALL SPECIFICATIONS ARE SUBJECT TO CHANGE WITHOUT NOTICE AT ANY TIME. 3. DIMENSIONS ARE IN INCHES [mm].			
TITLE SMA Limiter High Power 100 ns Recovery With 14 dBm Flat Leakage Operating From 2 GHz to 18 GHz		DWG NO SML-0218-01-14-SMA		CAGE CODE 3FKR5	
CAD FILE 082014 SHEET		SCALE N/A		SIZE A 2233	