

**SMA Limiter Pin-Pin With 15 dBm Flat Leakage  
 Operating From 500 MHz to 1,000 MHz**

**Electrical Specifications**

Description	Min	Typ	Max	Unit
Frequency Range	500		1,000	MHz
Insertion Loss			1.5	dB
Input VSWR			2:1	
Leakage (CW) @ 2 Watt CW		+15		dBm
Input Power (CW) Mil-G-45204			2	Watt
Limiting Threshold			+15	dBm

**Mechanical Specifications**

**Size**

Length	1.54 in [39.12 mm]
Width	0.51 in [12.95 mm]
Height	0.51 in [12.95 mm]
Weight	0.02866 lbs [13 g]

**Configuration**

Style	Pin-Pin Limiter
Impedance	50 Ohms
Connector 1	SMA Female
Connector 2	SMA Female

**Environmental Specifications**

**Temperature**

Operating Range	-55 to +85 deg C
-----------------	------------------

**Compliance Certifications** (visit [www.FairviewMicrowave.com](http://www.FairviewMicrowave.com) for current document)

RoHS Compliant	
REACH Compliant	12/17/2014

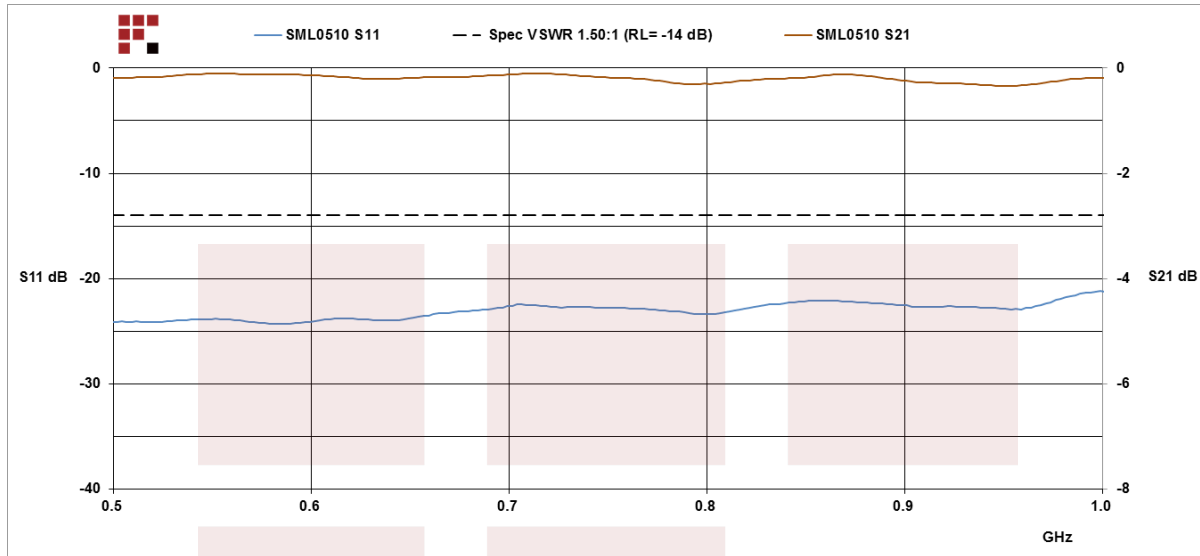


Fairview Microwave  
 1130 Junction Dr. #100  
 Allen, TX 75013  
 Tel: 1-800-715-4396 / (972) 649-6678  
 Fax: (972) 649-6689  
[www.fairviewmicrowave.com](http://www.fairviewmicrowave.com)  
[sales@fairviewmicrowave.com](mailto:sales@fairviewmicrowave.com)

**Plotted and Other Data**

Notes:

**Typical Performance Data**

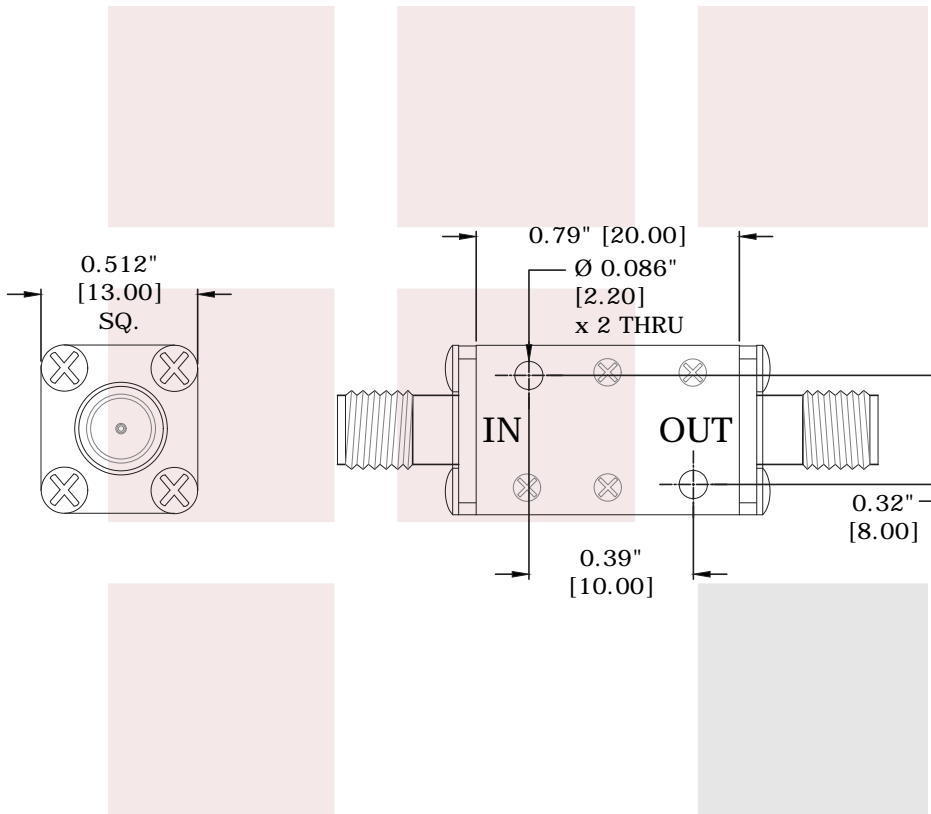


SMA Limiter Pin-Pin With 15 dBm Flat Leakage Operating From 500 MHz to 1,000 MHz from Fairview Microwave is in-stock and available to ship same-day. All of our RF/microwave products are available off-the-shelf from our ISO 9001:2008 certified facilities in Allen, Texas. Fairview Microwave is RF on-demand.

For additional information on this product, please click the following link: [SMA Limiter Pin-Pin With 15 dBm Flat Leakage Operating From 500 MHz to 1,000 MHz SML0510](#)

URL: <http://www.fairviewmicrowave.com/sma-limiter-pin-pin-15-dbm-500-1000-mhz-sml0510-p.aspx>

The information contained in this document is accurate to the best of our knowledge and representative of the part described herein. It may be necessary to make modifications to the part and/or the documentation of the part, in order to implement improvements. Fairview Microwave reserves the right to make such changes as required. Unless otherwise stated, all specifications are nominal. Fairview Microwave does not make any representation or warranty regarding the suitability of the part described herein for any particular purpose, and Fairview Microwave does not assume any liability arising out of the use of any part or documentation.



<b>FAIRVIEW MICROWAVE INC.</b> ALLEN, TX 75013 WWW.FAIRVIEWMICROWAVE.COM		NOTES: 1. UNLESS OTHERWISE SPECIFIED ALL DIMENSIONS ARE NOMINAL. 2. ALL SPECIFICATIONS ARE SUBJECT TO CHANGE WITHOUT NOTICE AT ANY TIME. 3. DIMENSIONS ARE IN INCHES [mm].		
TITLE SMA Limiter Pin-Pin With 15 dBm Flat Leakage Operating From 500 MHz to 1,000 MHz		DWG NO <b>SML0510</b>		CAGE CODE <b>3FKR5</b>
CAD FILE 011415	SHEET	SCALE N/A	SIZE A	5568