

**High Power Limiter, SMA, 15 dBm Flat Leakage,
1 GHz to 3 GHz**

Electrical Specifications



Description	Min	Typ	Max	Unit
Frequency Range	1		3	GHz
Insertion Loss			1.5	dB
Input VSWR			2:1	
Leakage (CW)			+15	dBm
Mil-G-45204				
Input Power (CW)			2	Watt
Mil-G-45204				
Limiting Threshold		+2.5		dBm

Mechanical Specifications

Size

Length	1.54 in [39.12 mm]
Width	0.51 in [12.95 mm]
Height	0.51 in [12.95 mm]
Weight	0.0445 lbs [20.18 g]

Configuration

Style	PIN-PIN Limiter
Impedance	50 Ohms
Connector 1	SMA Female
Connector 2	SMA Female

Environmental Specifications

Temperature

Operating Range	-55 to +85 deg C
-----------------	------------------

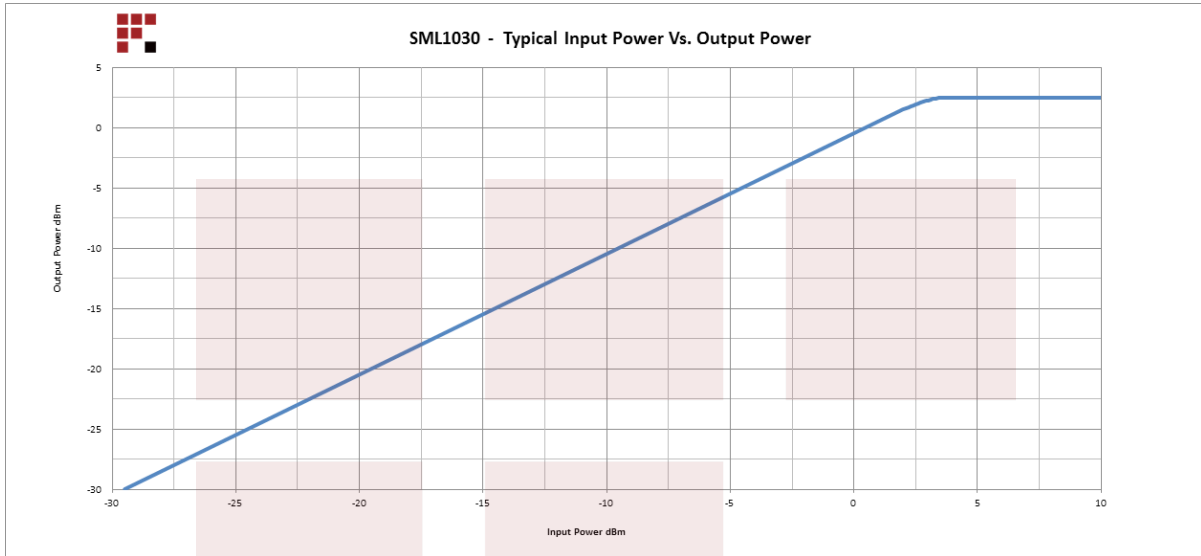
Fairview Microwave
301 Leora Ln., Suite 100
Lewisville, TX 75056
Tel: 1-800-715-4396 / (972) 649-6678
Fax: (972) 649-6689
www.fairviewmicrowave.com
sales@fairviewmicrowave.com

Compliance Certifications (see [product page](#) for current document)

Plotted and Other Data

Notes:

Typical Performance Data

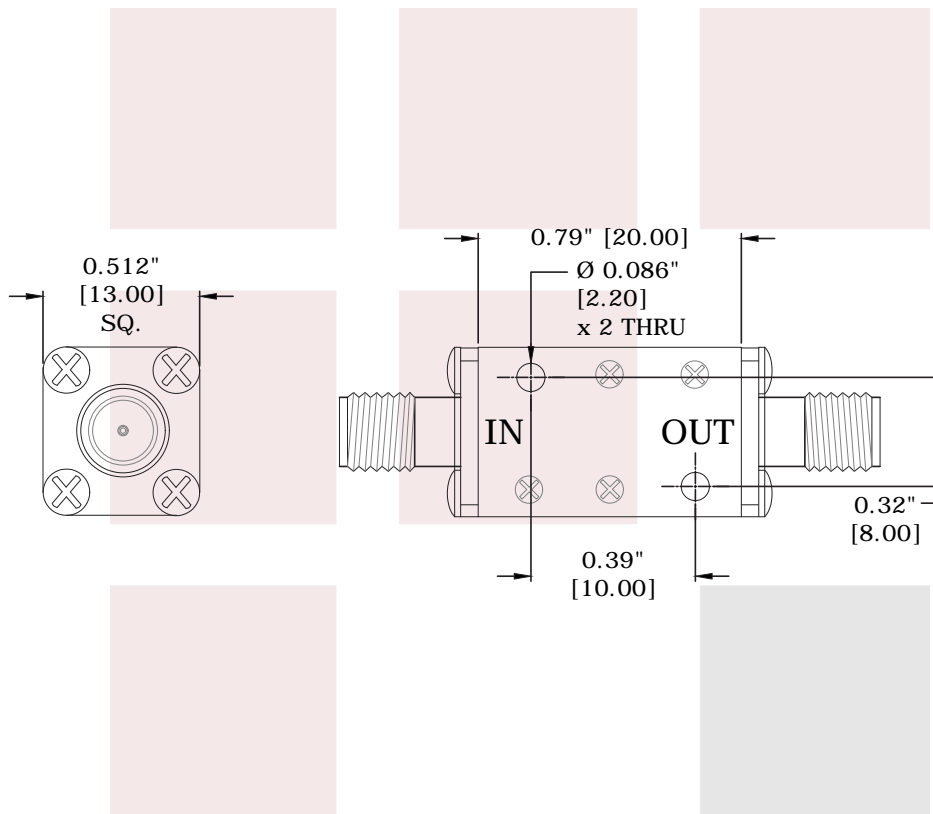


High Power Limiter, SMA, 15 dBm Flat Leakage, 1 GHz to 3 GHz from Fairview Microwave is in-stock and available to ship same-day. All of our RF/microwave products are available off-the-shelf from our ISO 9001:2008 certified facilities in Lewisville, Texas. Fairview Microwave is RF on-demand.

For additional information on this product, please click the following link: [High Power Limiter, SMA, 15 dBm Flat Leakage, 1 GHz to 3 GHz SML1030](#)

URL: <https://www.fairviewmicrowave.com/sma-limiter-pin-pin-15-dbm-1-3-ghz-sml1030-p.aspx>

The information contained in this document is accurate to the best of our knowledge and representative of the part described herein. It may be necessary to make modifications to the part and/or the documentation of the part, in order to implement improvements. Fairview Microwave reserves the right to make such changes as required. Unless otherwise stated, all specifications are nominal. Fairview Microwave does not make any representation or warranty regarding the suitability of the part described herein for any particular purpose, and Fairview Microwave does not assume any liability arising out of the use of any part or documentation.



FAIRVIEW MICROWAVE INC. ALLEN, TX 75013 WWW.FAIRVIEWMICROWAVE.COM	NOTES: 1. UNLESS OTHERWISE SPECIFIED ALL DIMENSIONS ARE NOMINAL. 2. ALL SPECIFICATIONS ARE SUBJECT TO CHANGE WITHOUT NOTICE AT ANY TIME. 3. DIMENSIONS ARE IN INCHES [mm].				
	DWG NO SML1030		CAGE CODE 3FKR5		
	CAD FILE 011415	SHEET	SCALE N/A	SIZE A	5568