

SMA Variable Phase Shifter With an Adjustable Phase of 0 Deg. Per GHz From DC to 2.3 GHz



Electrical Specifications

| Description | Min | Typ | Max | Units |
|-------------------|-----|-----|-------|---------|
| Frequency Range | DC | | 2.3 | GHz |
| Impedance | | 50 | | Ohms |
| Phase Adjustment | 0 | | 60 | Deg/GHz |
| Input VSWR | | | 1.5:1 | |
| Input Power, CW | | | 100 | Watts |
| Input Power, Peak | | | 3 | KWatts |

Mechanical Specifications

Size

| | |
|----------------|---------------------|
| Length | 5.5 in [139.7 mm] |
| Width/Diameter | 2 in [50.8 mm] |
| Height | 1 in [25.4 mm] |
| Weight | 0.98326 lbs [446 g] |

Configuration

| | |
|------------------|------------|
| Input Connector | SMA Female |
| Output Connector | SMA Female |

Mechanical Specification Notes:

The SMP0223 control knob has 18 turns of rotation (Typical). The 60 degrees of phase shift per GHz is the total phase shift over the 18 turns (Typical). As an example, each turn is approximately 3.3 degrees per turn at 1GHz.

Environmental Specifications

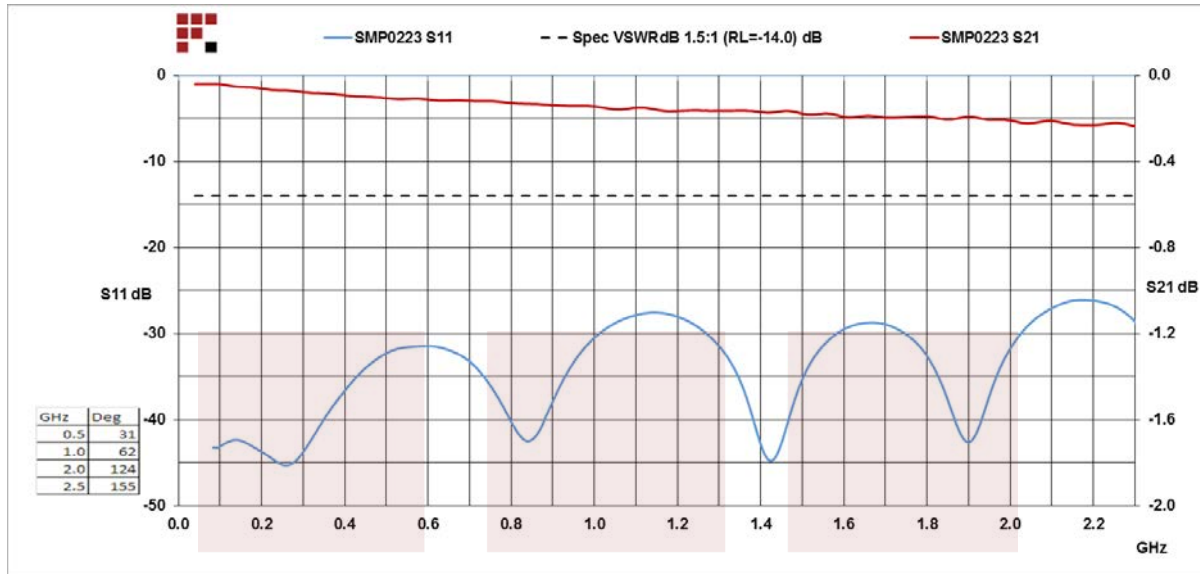
Compliance Certifications (see [product page](#) for current document)

Plotted and Other Data

Notes:

Fairview Microwave
 1130 Junction Dr. #100
 Allen, TX 75013
 Tel: 1-800-715-4396 / (972) 649-6678
 Fax: (972) 649-6689
www.fairviewmicrowave.com
sales@fairviewmicrowave.com

Typical Performance Data

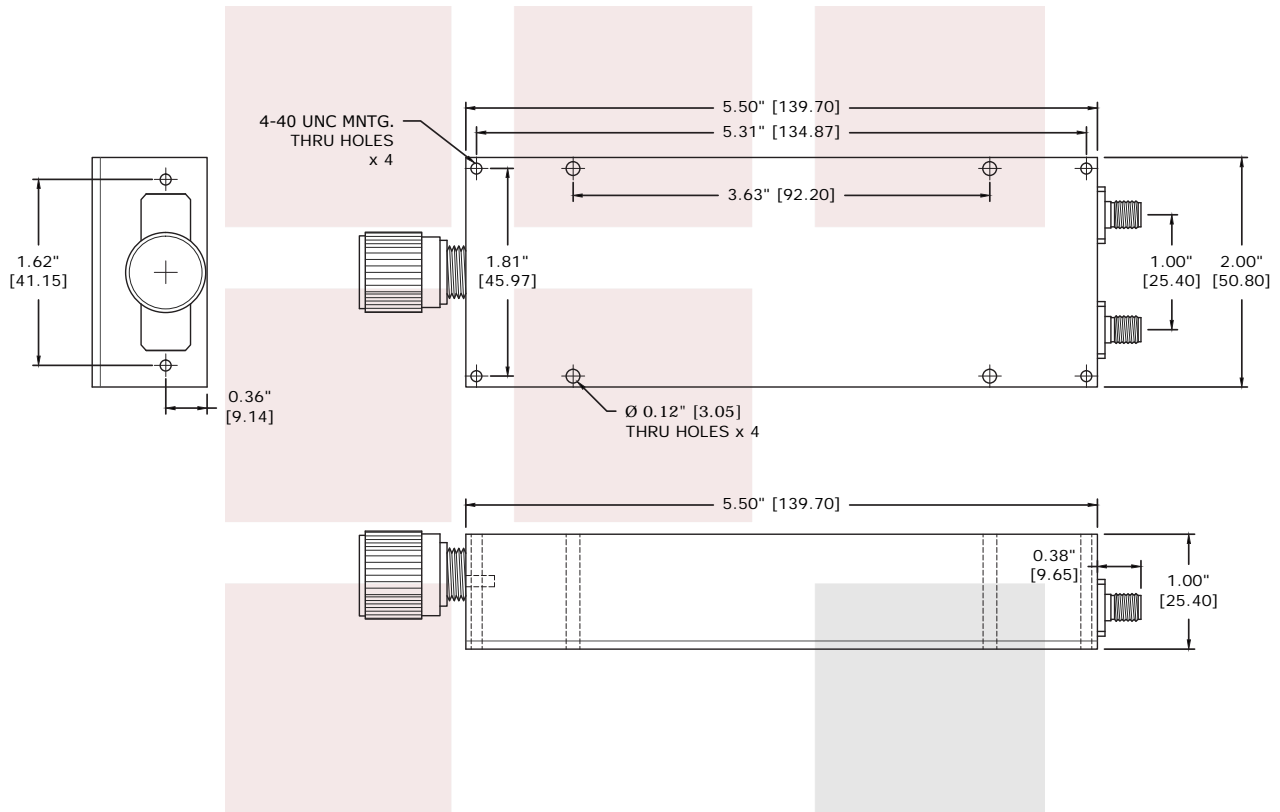


SMA Variable Phase Shifter With an Adjustable Phase of 0 Deg. Per GHz From DC to 2.3 GHz from Fairview Microwave is in-stock and available to ship same-day. All of our RF/microwave products are available off-the-shelf from our ISO 9001:2008 certified facilities in Allen, Texas. Fairview Microwave is RF on-demand.

For additional information on this product, please click the following link: [SMA Variable Phase Shifter With an Adjustable Phase of 0 Deg. Per GHz From DC to 2.3 GHz SMP0223](https://www.fairviewmicrowave.com/sma-variable-phase-shifter-dc-2.3-ghz-smp0223-p.aspx)

URL: <https://www.fairviewmicrowave.com/sma-variable-phase-shifter-dc-2.3-ghz-smp0223-p.aspx>

The information contained in this document is accurate to the best of our knowledge and representative of the part described herein. It may be necessary to make modifications to the part and/or the documentation of the part, in order to implement improvements. Fairview Microwave reserves the right to make such changes as required. Unless otherwise stated, all specifications are nominal. Fairview Microwave does not make any representation or warranty regarding the suitability of the part described herein for any particular purpose, and Fairview Microwave does not assume any liability arising out of the use of any part or documentation.



| | | | | | |
|---|--------|---|-------|--------------------|-------------|
| FAIRVIEW MICROWAVE INC. ALLEN, TX 75013 WWW.FAIRVIEWMICROWAVE.COM | | NOTES: 1. UNLESS OTHERWISE SPECIFIED ALL DIMENSIONS ARE NOMINAL. 2. ALL SPECIFICATIONS ARE SUBJECT TO CHANGE WITHOUT NOTICE AT ANY TIME. 3. DIMENSIONS ARE IN INCHES [mm]. | | | |
| TITLE SMA Variable Phase Shifter With an Adjustable Phase of 0 Deg. Per GHz From DC to 2.3 GHz | | DWG NO SMP0223 | | CAGE CODE 3FKR5 | |
| CAD FILE | 011415 | SHEET | SCALE | N/A | SIZE A 5568 |