

## SMA Variable Phase Shifter With an Adjustable Phase of 60 Deg. Per GHz and From DC to 18 GHz

Coaxial RF variable phase shifter SMP1801 is just one of a large number of radio frequency components specifically stocked to be ready for quick shipment. Fairview Microwave RF variable phase shifter is manufactured with SMA connectors and has a phase adjustment of 60 degrees. This SMA 60 degree variable phase shifter is rated for a minimum frequency of DC and a maximum frequency of 18 GHz.

Fairview Microwave variable phase shifter with SMA connectors has a maximum input power of 100 Watts. RF variable phase shifter design for part number SMP1801 is rated for a maximum VSWR of 1.5:1. The RF specs for this Fairview phase shifting component can be found on its radio frequency phase shifter PDF specifications above.

Our SMA 60 degree variable phase shifter is one radio frequency component of more than one million microwave and millimeter wave RF parts in stock. Fairview Microwave is where to buy a variable phase shifter for quick service and easy worldwide shipment. Fairview also stocks a wide selection of other radio frequency phase shifting products that ship same-day from our Allen, TX warehouse in the as with the rest of our other RF/microwave and millimeter wave components.



### Electrical Specifications

Description	Min	Typ	Max	Units
Frequency Range	DC		18	GHz
Impedance		50		Ohms
Phase Adjustment	0		60	Deg/GHz
Input VSWR			1.5:1	
Insertion Loss			1	dB
Input Power, CW			100	Watts
Input Power, Peak			3	kWatts

### Mechanical Specifications

Size	
Length	5.5 in [139.7 mm]
Width/Diameter	2 in [50.8 mm]
Height	1 in [25.4 mm]
Weight	0.986 lbs [447.24 g]

### Configuration

Input Connector	SMA Female
Output Connector	SMA Female

Fairview Microwave  
301 Leora Ln., Suite 100  
Lewisville, TX 75056  
Tel: 1-800-715-4396 / (972) 649-6678  
Fax: (972) 649-6689  
[www.fairviewmicrowave.com](http://www.fairviewmicrowave.com)  
[sales@fairviewmicrowave.com](mailto:sales@fairviewmicrowave.com)

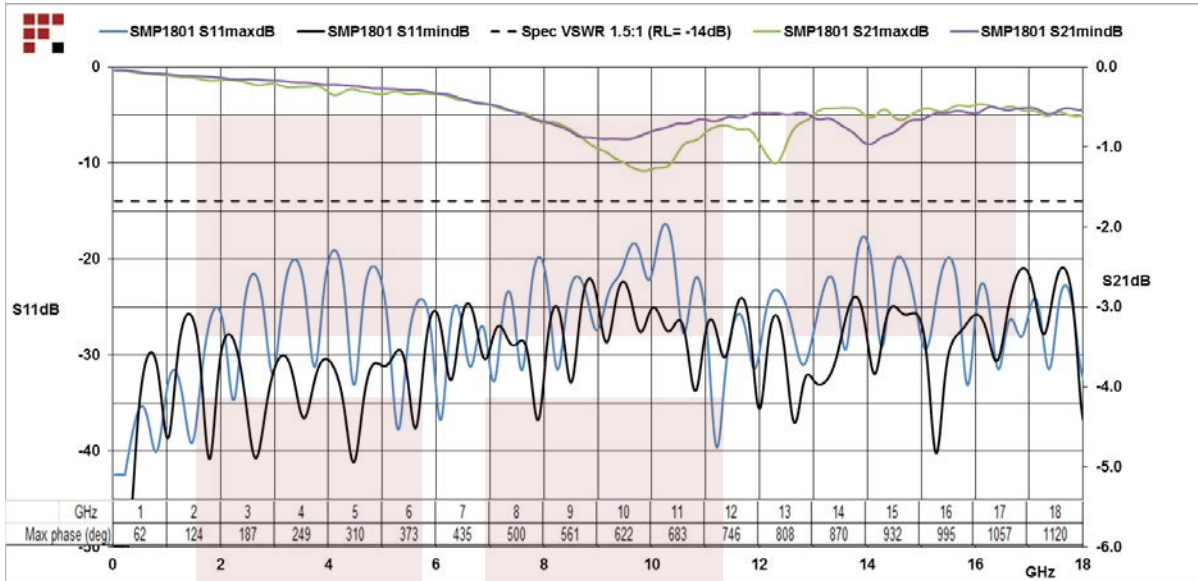
**Environmental Specifications**

**Compliance Certifications** (see [product page](#) for current document)

**Plotted and Other Data**

Notes:

**Typical Performance Data**

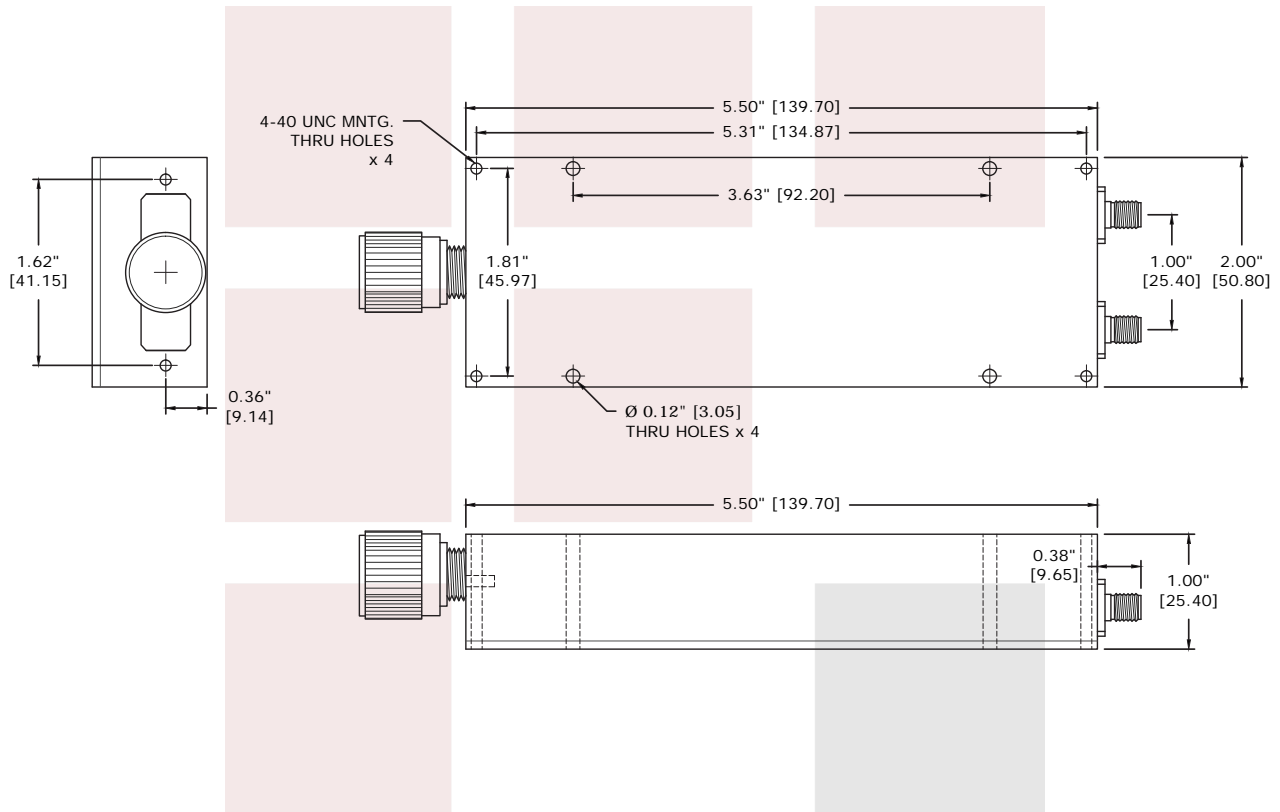


SMA Variable Phase Shifter With an Adjustable Phase of 60 Deg. Per GHz and From DC to 18 GHz from Fairview Microwave is in-stock and available to ship same-day. All of our RF/microwave products are available off-the-shelf from our ISO 9001:2008 certified facilities in Lewisville, Texas. Fairview Microwave is RF on-demand.

For additional information on this product, please click the following link: [SMA Variable Phase Shifter With an Adjustable Phase of 60 Deg. Per GHz and From DC to 18 GHz SMP1801](#)

URL: <https://www.fairviewmicrowave.com/sma-variable-phase-shifter-dc-18-ghz-smp1801-p.aspx>

The information contained in this document is accurate to the best of our knowledge and representative of the part described herein. It may be necessary to make modifications to the part and/or the documentation of the part, in order to implement improvements. Fairview Microwave reserves the right to make such changes as required. Unless otherwise stated, all specifications are nominal. Fairview Microwave does not make any representation or warranty regarding the suitability of the part described herein for any particular purpose, and Fairview Microwave does not assume any liability arising out of the use of any part or documentation.



<b>FAIRVIEW MICROWAVE INC.</b> WWW.FAIRVIEWMICROWAVE.COM		NOTES: 1. UNLESS OTHERWISE SPECIFIED ALL DIMENSIONS ARE NOMINAL. 2. ALL SPECIFICATIONS ARE SUBJECT TO CHANGE WITHOUT NOTICE AT ANY TIME. 3. DIMENSIONS ARE IN INCHES [mm].			
TITLE SMA Variable Phase Shifter With an Adjustable Phase of 60 Deg. Per GHz and From DC to 18 GHz		DWG NO SMP1801		CAGE CODE 3FKR5	
CAD FILE	011415	SHEET	SCALE	N/A	SIZE A 5568