

**SMA Variable Phase Shifter with an Adjustable Phase
of 15 Deg. Per GHz and from DC to 18 GHz**

Electrical Specifications

Description	Min	Typ	Max	Units
Frequency Range	DC		18	GHz
Impedance		50		Ohms
Phase Adjustment		15		Deg/GHz
Input VSWR			1.4:1	
Input Power, CW			80	Watts

Performance by Frequency

Description	F1	F2	F3	F4	F5	Units
Frequency Range	DC-6	6-12	12-18			GHz
VSWR, Max	1.15:1	1.25:1	1.4:1			

Mechanical Specifications
Size

Length	2.6 in [66.04 mm]
Width/Diameter	0.5 in [12.7 mm]
Height	0.5 in [12.7 mm]
Weight	0.0902 lbs [40.91 g]
Body Material and Plating	Passivated Stainless Steel

Configuration

Input Connector	SMA Male
Output Connector	SMA Female

Environmental Specifications
Temperature

Operating Range	-55 to 125 deg C
-----------------	------------------

Compliance Certifications (see [product page](#) for current document)

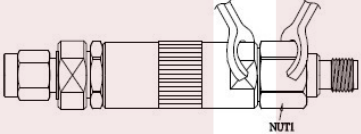
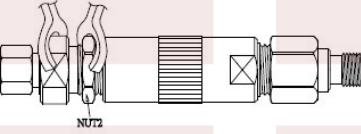
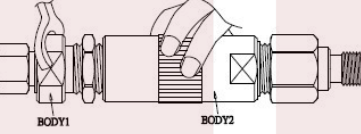
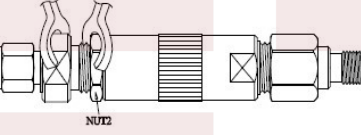
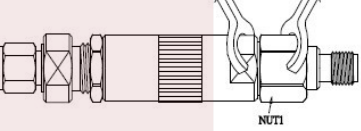
Plotted and Other Data

Notes:

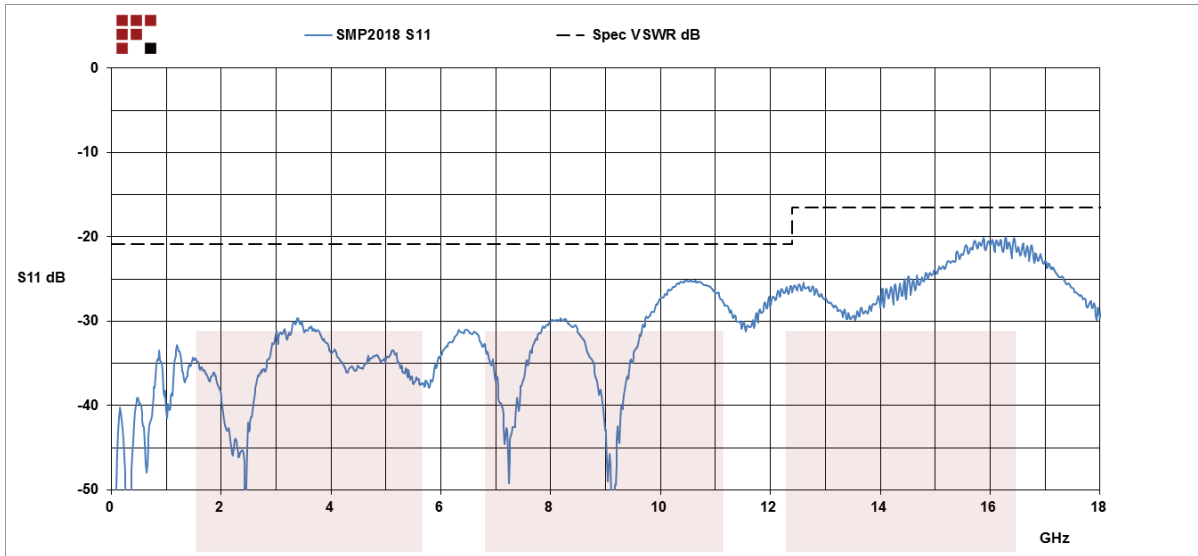
Fairview Microwave
 301 Leora Ln., Suite 100
 Lewisville, TX 75056
 Tel: 1-800-715-4396 / (972) 649-6678
 Fax: (972) 649-6689
www.fairviewmicrowave.com
sales@fairviewmicrowave.com

Sequence Diagram

SMP2018 PHASE TRIMMER INSTRUCTIONS

DIAGRAM	PHASE TRIMMER INSTRUCTIONS
 <p style="text-align: center;">NUT1</p>	<p>Step 1: LOOSEN NUT1 BEFORE ADJUSTING PHASE. USE SPANNER SIZE 11MM.</p>
 <p style="text-align: center;">NUT2</p>	<p>Step 2: LOOSEN NUT2 BEFORE ADJUSTING PHASE. USE SPANNER SIZE 11MM.</p>
 <p style="text-align: center;">BODY1 BODY2</p>	<p>Step 3: ADJUST TO THE REQUIRED PHASE: KEEP BODY1 IN A FIXED POSITION AND ADJUST PHASE BY MANUALLY TURNING BODY2.</p>
 <p style="text-align: center;">NUT2</p>	<p>Step 4: TIGHTEN NUT2 AFTER ADJUSTING PHASE. USE SPANNER SIZE 11MM.</p>
 <p style="text-align: center;">NUT1</p>	<p>Step 5: TIGHTEN NUT1 AFTER ADJUSTING PHASE. USE SPANNER SIZE 11MM.</p> <p>NOTE: AFTER TIGHTENING NUT 1 THE SMA JACK SHOULD BE FIXED (AND NOT ROTATE)</p>

Typical Performance Data

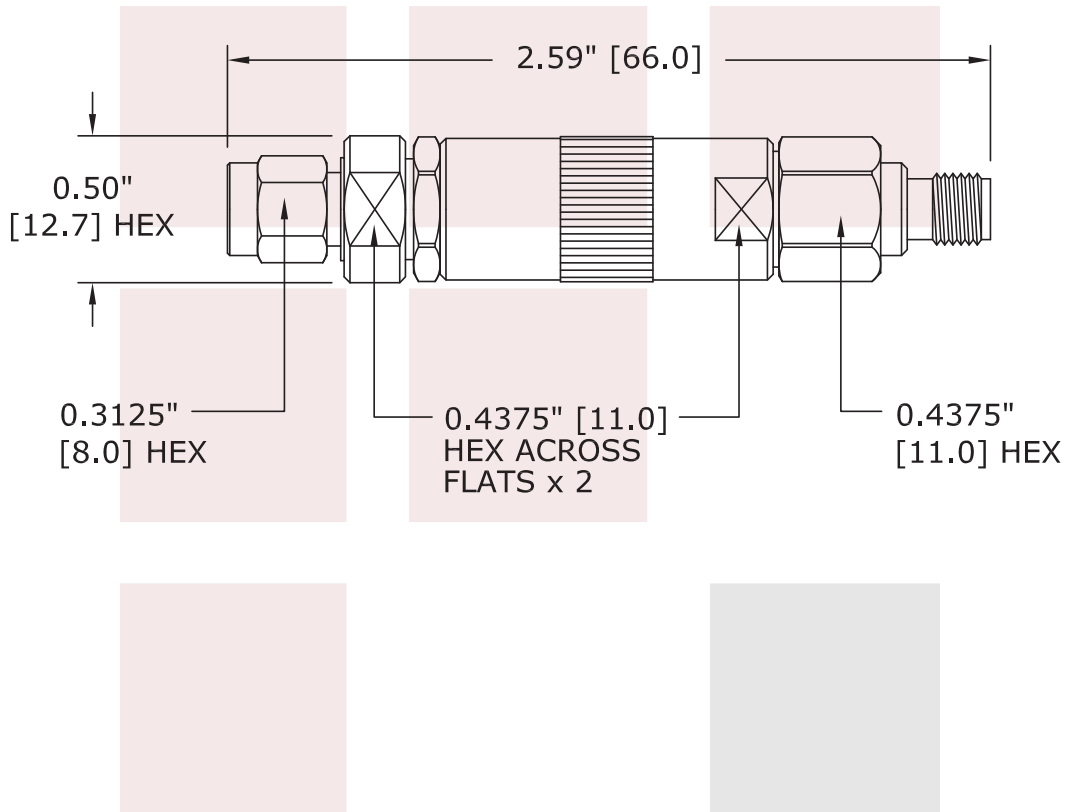


SMA Variable Phase Shifter with an Adjustable Phase of 15 Deg. Per GHz and from DC to 18 GHz from Fairview Microwave is in-stock and available to ship same-day. All of our RF/microwave products are available off-the-shelf from our ISO 9001:2008 certified facilities in Lewisville, Texas. Fairview Microwave is RF on-demand.

For additional information on this product, please click the following link: [SMA Variable Phase Shifter with an Adjustable Phase of 15 Deg. Per GHz and from DC to 18 GHz SMP2018](#)

URL: <https://www.fairviewmicrowave.com/sma-variable-phase-shifter-dc-18-ghz-smp2018-p.aspx>

The information contained in this document is accurate to the best of our knowledge and representative of the part described herein. It may be necessary to make modifications to the part and/or the documentation of the part, in order to implement improvements. Fairview Microwave reserves the right to make such changes as required. Unless otherwise stated, all specifications are nominal. Fairview Microwave does not make any representation or warranty regarding the suitability of the part described herein for any particular purpose, and Fairview Microwave does not assume any liability arising out of the use of any part or documentation.



STANDARD TOLERANCES	
.X	±0.2
.XX	±0.01
.XXX	±0.005

*STANDARD TOLERANCES APPLY ONLY TO DIMENSIONS IN INCHES

Typical PHASE (DEGREES) TABLE								
1Ghz	2Ghz	3Ghz	4Ghz	5Ghz	6Ghz	7Ghz	8Ghz	9Ghz
15°	30°	45°	60°	75°	90°	105°	120°	135°
10Ghz	11Ghz	12Ghz	13Ghz	14Ghz	15Ghz	16Ghz	17Ghz	18Ghz
150°	165°	180°	195°	210°	225°	240°	255°	270°

NOTES:
1. UNLESS OTHERWISE SPECIFIED ALL DIMENSIONS ARE NOMINAL.
2. ALL SPECIFICATIONS ARE SUBJECT TO CHANGE WITHOUT NOTICE AT ANY TIME.
3. DIMENSIONS ARE IN INCHES [mm].

TITLE
SMA Variable Phase Shifter with an Adjustable Phase of 15 Deg. Per GHz and from DC to 18 GHz

DWG NO	SMP2018		CAGE CODE			3FKR5		
CAD FILE	091416	SHEET	SCALE	N/A	SIZE	A	2233	