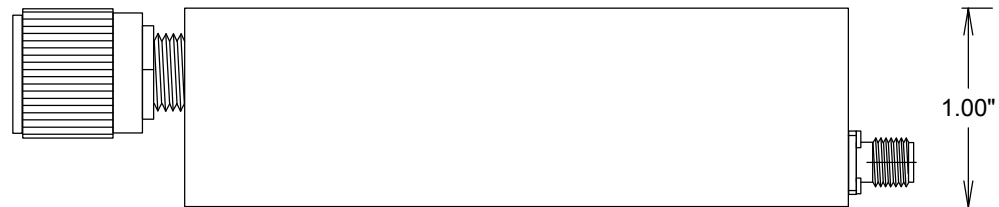
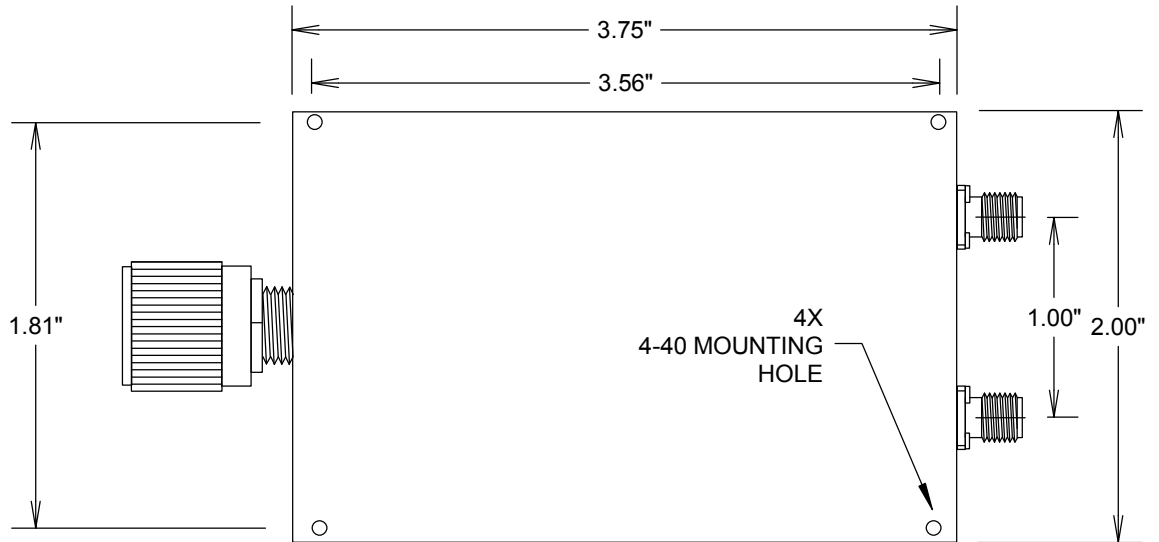
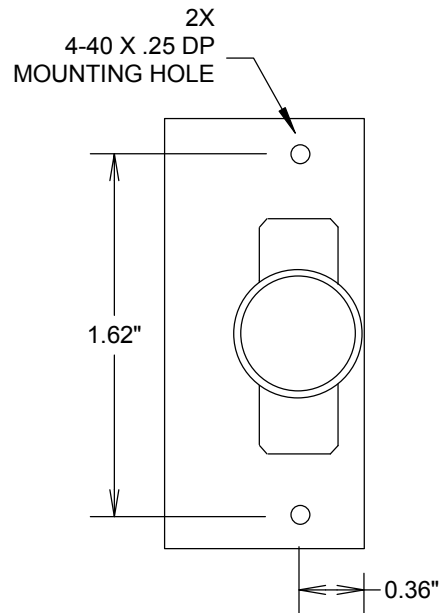


# SMA F'S 360° PHASESHIFTERS 18-26 GHZ

SMP2602



## SPECIFICATIONS

### ELECTRICAL:

FREQUENCY: 18-26 GHZ  
 VSWR 1.8:1 MAX  
 POWER CW: 100 WATTS  
 POWER PEAK: 3KW  
 IMPEDANCE: 50 OHMS  
 INSERTION LOSS: 1.5 DB MAX  
 MIN. ADJUSTABLE PHASE SHIFT: 0 TO 360°

MATERIAL CONNECTORS: STAINLESS STEEL  
 MATERIAL BODY: ALUMINUM

**FAIRVIEW MICROWAVE INC.**

ALLEN, TX 75013 WWW.FAIRVIEWMICROWAVE.COM

TITLE

**SMA F'S 360° PHASESHIFTERS 18-26 GHZ**

SIZE	CAGE CODE	DWG NO	REV
<b>A</b>	<b>3FKR5</b>	<b>SMP2602</b>	--
SCALE		SHEET	