

POWER DIVIDER N 698-2700MHZ 3-WAY

SMP8754

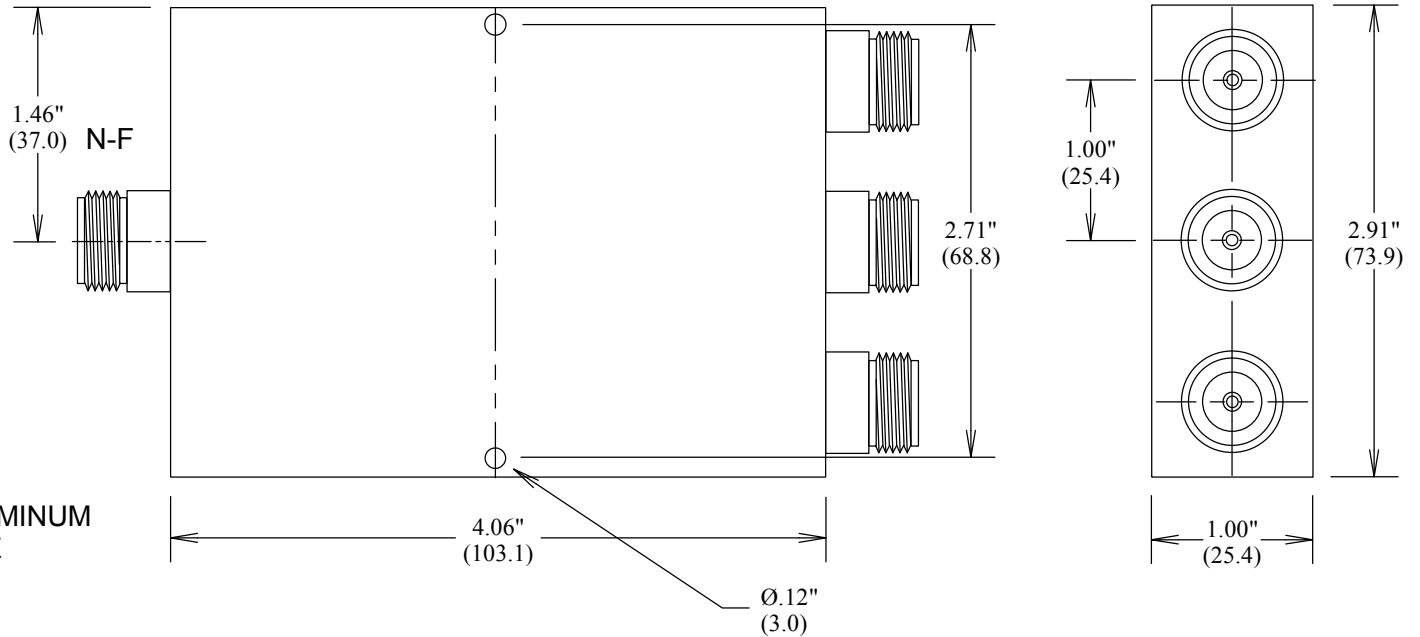
SPECIFICATIONS

ELECTRICAL

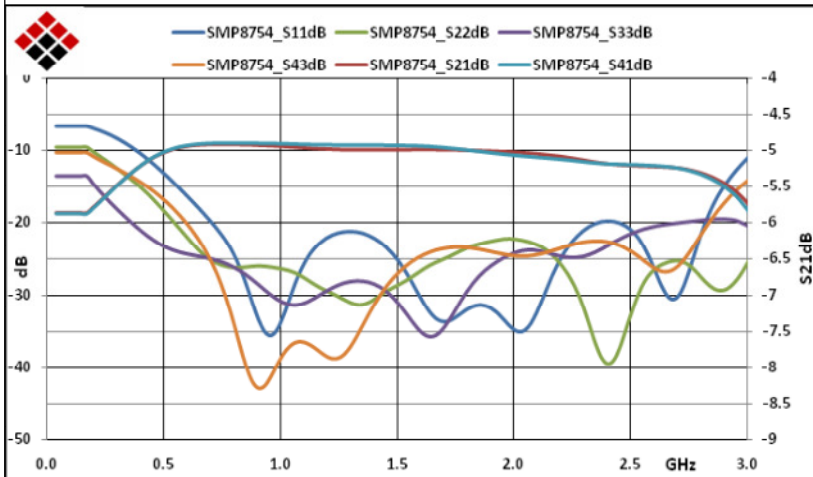
FREQUENCY: 698-2700 MHZ
 ISOLATION: 20 DB MIN
 POWER: 5 W AVG
 IMPEDANCE: 50 OHMS
 VSWR: 1.30:1 MAX , ALL PORTS
 AMPLITUDE BALANCE: 0.6DB MAX
 INSERTION LOSS: 0.5 dB MAX
 SPLIT LOSS: 4.8 dB

MECHANICAL

MATERIALS BODY: PASSIVATED ALUMINUM
 CONNECTORS: N-FEMALE, TRIPLATE
 TEMP RANGE: -30°C TO +60°C



MEASUREMENTS BELOW ARE TYPICAL



ALL DIMENSIONS IN inches(MM) Typical

FAIRVIEW MICROWAVE INC.

ALLEN, TX 75013 WWW.FAIRVIEWMICROWAVE.COM

TITLE

POWER DIVIDER N 698-2700MHZ 3-WAY

SIZE	CAGE CODE	DWG NO	REV
A	3FKR5	SMP8754	--
SCALE		SHEET	