

## WR-10 to 1.0mm Female Waveguide to Coax Adapter UG-387/U-Mod Round Cover with 75 GHz to 110 GHz W Band in Aluminum, Gold

The SMW10AC003 is a waveguide to coaxial adapter operating in the W Band with a 75 to 110 GHz frequency range. This adapter offers a WR-10 waveguide interface size coupled with a precision tolerance UG-387/U-Mod Round Cover flange. The SMW10AC003 is constructed of aluminum and plated in gold to ensure durability and repeatable RF performance. The coaxial connector offered by this adapter uses a 1 mm Female Connector endorsed by the International Electrotechnical Commission (IEC).

### Configuration

Waveguide Size	WR-10
Flange	UG-387/U-Mod Round Cover
RF Connector	1.0mm Female
Impedance	50 Ohms
Body Geometry	Right Angle

### Electrical Specifications

Description	Min	Typ	Max	Units
Frequency Range	75		110	GHz
VSWR		1.32:1		
Insertion Loss		1		dB
Input Power (CW)			10	Watts

### Mechanical Specifications

#### Size

Length	1 in [25.4 mm]
Width	0.75 in [19.05 mm]
Height	0.92 in [23.37 mm]
Weight	1.016 lbs [460.85 g]

#### RF Connector

Connector Type	1.0mm Female
Body Material and Plating	Stainless Steel

#### Waveguide Interface

Waveguide Type	WR-10
Flange Type	Round Cover
Flange Designation	UG-387/U-Mod
Body Material and Plating	Aluminum, Gold
Plating Specification	ASTMB488

### Environmental Specifications

#### Temperature

Operating Range	-40 to +85 deg C
-----------------	------------------

### Compliance Certifications (see [product page](#) for current document)

### Plotted and Other Data

Notes:

- Values at +25 °C, sea level unless stated otherwise



### Features:

- W Band, 75 to 110 GHz Frequency Range
- WR-10 Waveguide
- UG-387/U-Mod Round Cover Flange
- 1.0 mm Female Coaxial RF Interface
- Comprehensive waveguide offerings also include E-Bends, H-Bends, Sections, Filters, Terminations, Couplers, and more.

Fairview Microwave  
301 Leora Ln., Suite 100  
Lewisville, TX 75056  
Tel: 1-800-715-4396 / (972) 649-6678  
Fax: (972) 649-6689  
[www.fairviewmicrowave.com](http://www.fairviewmicrowave.com)  
[sales@fairviewmicrowave.com](mailto:sales@fairviewmicrowave.com)

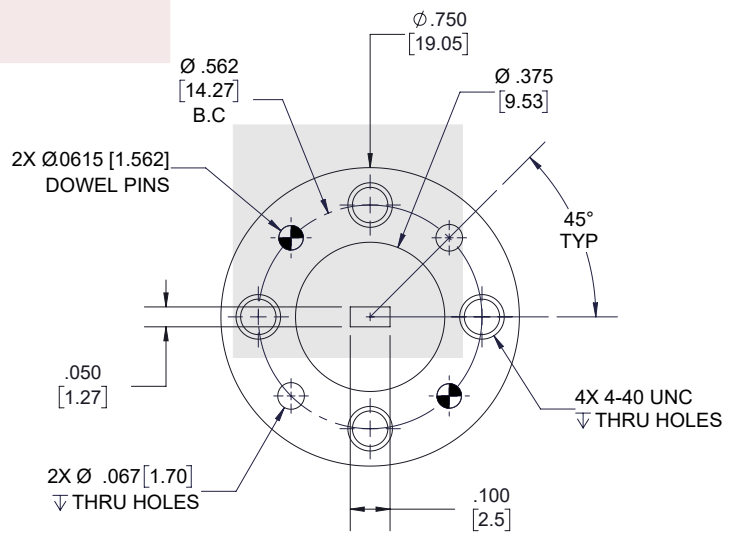
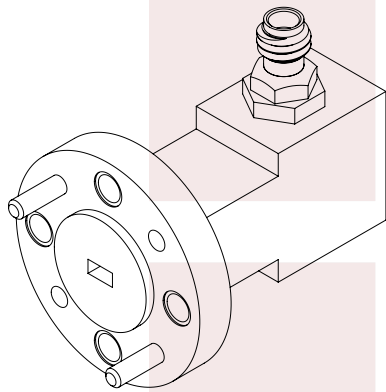
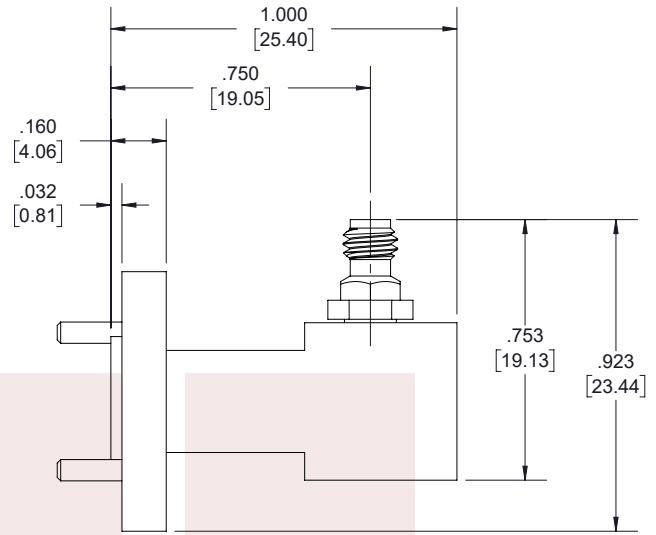
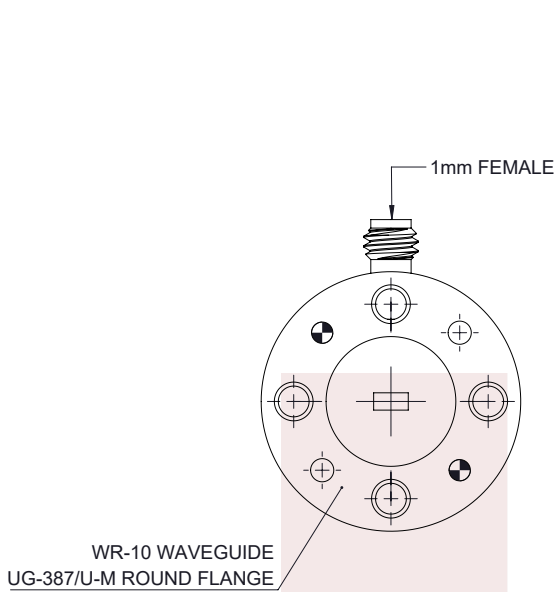
WR-10 to 1.0mm Female Waveguide to Coax Adapter UG-387/U-Mod Round Cover with 75 GHz to 110 GHz W Band in Aluminum, Gold from Fairview Microwave is in-stock and available to ship same-day. All of our RF/microwave products are available off-the-shelf from our ISO 9001:2008 certified facilities in Lewisville, Texas. Fairview Microwave is RF on-demand.

For additional information on this product, please click the following link: [WR-10 to 1.0mm Female Waveguide to Coax Adapter UG-387/U-Mod Round Cover with 75 GHz to 110 GHz W Band in Aluminum, Gold SMW10AC003](#)

URL: <https://www.fairviewmicrowave.com/wr10-1.0mm-female-waveguide-coax-adapter-ug387-mod-round-smw10ac003-p.aspx>

The information contained in this document is accurate to the best of our knowledge and representative of the part described herein. It may be necessary to make modifications to the part and/or the documentation of the part, in order to implement improvements. Fairview Microwave reserves the right to make such changes as required. Unless otherwise stated, all specifications are nominal. Fairview Microwave does not make any representation or warranty regarding the suitability of the part described herein for any particular purpose, and Fairview Microwave does not assume any liability arising out of the use of any part or documentation.





**LABEL**

FAIRVIEW MICROWAVE  
SMW10AC003  
D/C: YYWW

**STANDARD TOLERANCES**

.X ±0.2  
.XX ±0.01  
.XXX ±0.005

\*STANDARD TOLERANCES APPLY  
ONLY TO DIMENSIONS IN INCHES

<p><b>Fairview Microwave</b> an INFINIT<sup>®</sup> brand</p>		<p>NOTES: 1. UNLESS OTHERWISE SPECIFIED ALL DIMENSIONS ARE NOMINAL. 2. ALL SPECIFICATIONS ARE SUBJECT TO CHANGE WITHOUT NOTICE AT ANY TIME. 3. DIMENSIONS ARE IN INCHES [mm].</p>						
<p>TITLE</p> <p>WR-10 to 1.0mm Female Waveguide to Coax Adapter UG-387/U-Mod Round Cover with 75 GHz to 110 GHz W Band in Aluminum, Gold</p>		<p>DWG NO</p> <p>SMW10AC003</p>		<p>CAGE CODE</p> <p>3FKR5</p>				
CAD FILE	08/27/19	SHEET	1 OF 1	SCALE	N/A	SIZE	A	7361