

**Waveguide Transition With WR-10 UG-387/U-Mod Round Cover Flange to WR-12 UG-387/U Round Cover Flange in 1 Inch Length**

The SMW10TS12001A is part of Fairview's family of Waveguide Transitions (also sometimes called waveguide adapters) used as a means of propagating RF/Microwave energy from one waveguide size to another. The SMW10TS12001A allows the waveguide to change from a WR-10 waveguide (using a UG-387/U-Mod flange) to a WR-12 waveguide (using a UG-387/U flange). The waveguide body has a plated gold finish.

**Electrical Specifications**

Description	Min	Typ	Max	Units
VSWR			1.6:1	
Insertion Loss		0.75		dB

**Mechanical Specifications**

<b>Size</b>	
Length	1 in [25.4 mm]
Weight	0.066 lbs [29.94 g]

Description	Flange 1	Waveguide	Flange 2
Designation	UG-387/U-Mod	WR-10 to WR-12	UG-387/U
Flange Type	Round Cover		Round Cover
Material	Brass	Brass	Brass
Plating	Gold	Gold	Gold
Plating Spec.	ASTMB488	ASTMB488	ASTMB488
Finish	Gold	Gold	Gold

**Compliance Certifications** (see [product page](#) for current document)

**Plotted and Other Data**

Notes:

- Typical VSWR/Return Loss data taken with load.
- Typical insertion loss data taken for two parts in series. The WR-12 flanges are connected together and the WR-10 flanges are connected to the test equipment.



**Features:**

- WR-10 to WR-12 waveguide
- WR-10 waveguide UG-387/U-Mod flange
- WR-12 waveguide UG-387/U flange
- Gold plated finish
- Precision manufactured

**Applications:**

- Radar Systems
- Military and Space
- Wireless Radio Systems
- Telecom Infrastructure
- Communication Systems
- R&D Labs
- Microwave Radio Systems

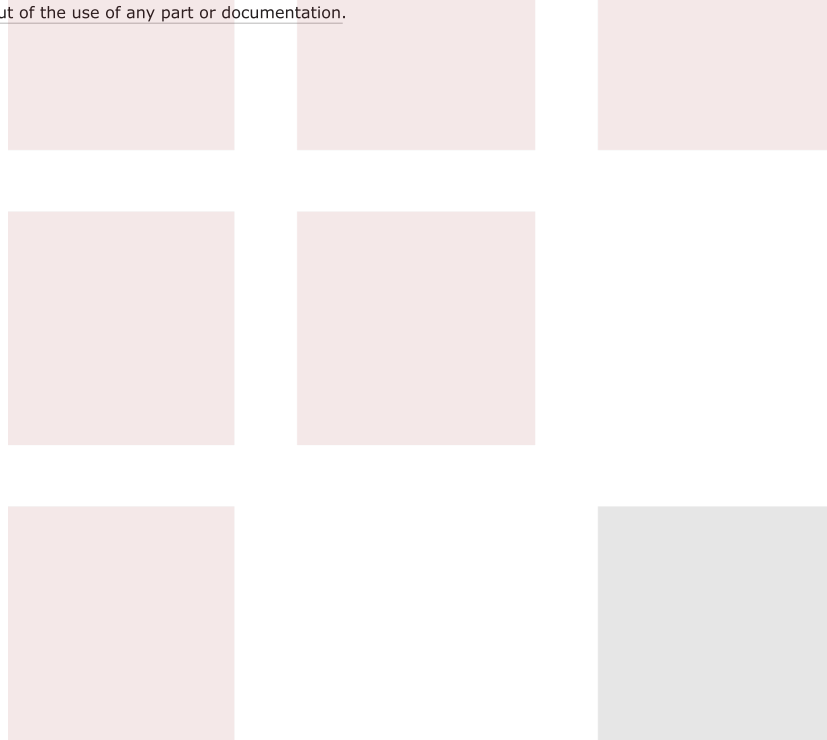
Fairview Microwave  
301 Leora Ln., Suite 100  
Lewisville, TX 75056  
Tel: 1-800-715-4396 / (972) 649-6678  
Fax: (972) 649-6689  
[www.fairviewmicrowave.com](http://www.fairviewmicrowave.com)  
[sales@fairviewmicrowave.com](mailto:sales@fairviewmicrowave.com)

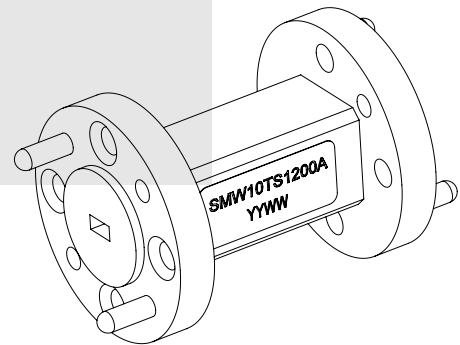
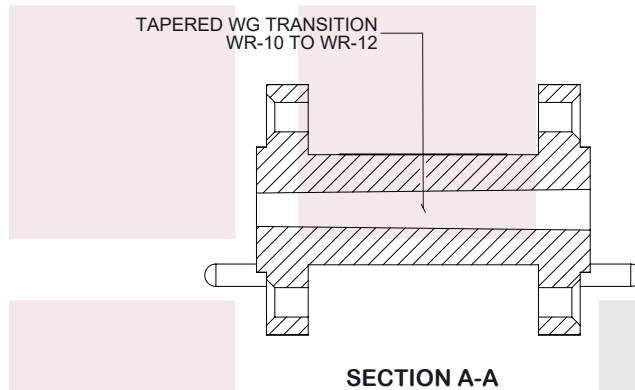
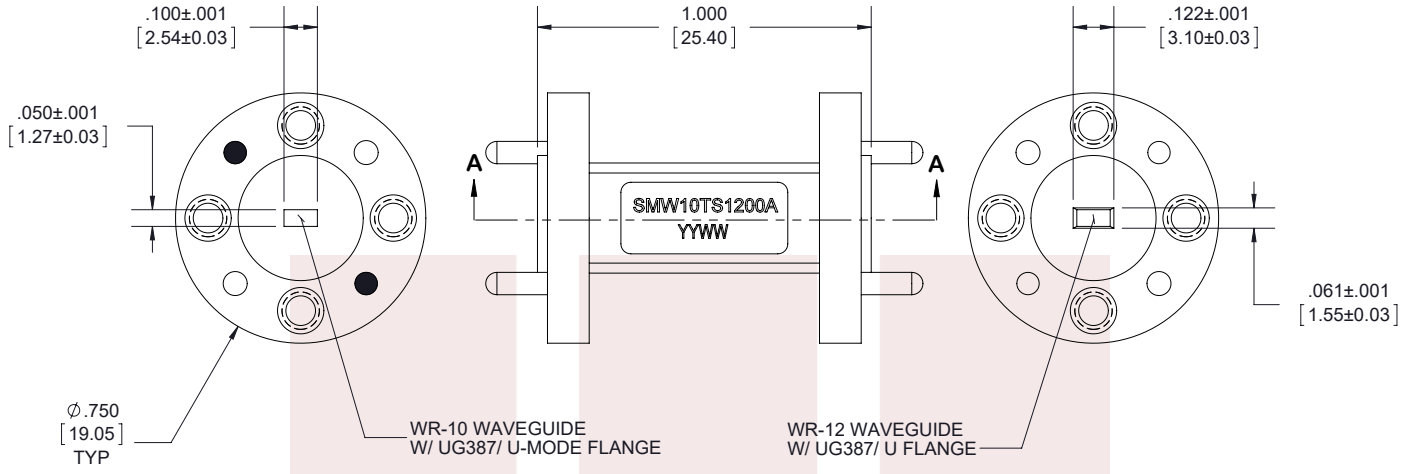
Waveguide Transition With WR-10 UG-387/U-Mod Round Cover Flange to WR-12 UG-387/U Round Cover Flange in 1 Inch Length from Fairview Microwave is in-stock and available to ship same-day. All of our RF/microwave products are available off-the-shelf from our ISO 9001:2008 certified facilities in Allen, Texas. Fairview Microwave is RF on-demand.

For additional information on this product, please click the following link: [Waveguide Transition With WR-10 UG-387/U-Mod Round Cover Flange to WR-12 UG-387/U Round Cover Flange in 1 Inch Length SMW10TS12001A](#)

URL: <https://www.fairviewmicrowave.com/waveguide-transition-wr10-ug387-mod-round-wr12-ug387-round-smw10ts12001a-p.aspx>

The information contained in this document is accurate to the best of our knowledge and representative of the part described herein. It may be necessary to make modifications to the part and/or the documentation of the part, in order to implement improvements. Fairview Microwave reserves the right to make such changes as required. Unless otherwise stated, all specifications are nominal. Fairview Microwave does not make any representation or warranty regarding the suitability of the part described herein for any particular purpose, and Fairview Microwave does not assume any liability arising out of the use of any part or documentation.





STANDARD TOLERANCES	
.X	±0.2
.XX	±0.01
.XXX	±0.005

\*STANDARD TOLERANCES APPLY ONLY TO DIMENSIONS IN INCHES

<b>FAIRVIEW MICROWAVE INC.</b> ALLEN, TX 75013 WWW.FAIRVIEWMICROWAVE.COM		NOTES: 1. UNLESS OTHERWISE SPECIFIED ALL DIMENSIONS ARE NOMINAL. 2. ALL SPECIFICATIONS ARE SUBJECT TO CHANGE WITHOUT NOTICE AT ANY TIME. 3. DIMENSIONS ARE IN INCHES [mm].				
TITLE		DWG NO		CAGE CODE		
Waveguide Transition With WR-10 UG-387/U-Mod Round Cover Flange to WR-12 UG-387/U Round Cover Flange in 1 Inch Length		SMW10TS12001A		3FKR5		
CAD FILE	091217	SHEET	1 OF 1	SCALE	N/A	
				SIZE	A	
					7361	