

WR-137 to Type N Female Waveguide to Coax Adapter PDR70 Standard with 5.85 GHz to 8.2 GHz in Aluminum
Configuration

Waveguide Size	WR-137
Flange	PDR70
RF Connector	N Female
Body Geometry	Right Angle

Electrical Specifications

Description	Min	Typ	Max	Units
Frequency Range	5.85		8.2	GHz
VSWR			1.25:1	
Insertion Loss			0.17	dB

Mechanical Specifications
Size

Length	1.9 in [48.26 mm]
Width	2.689 in [68.3 mm]
Height	1.937 in [49.2 mm]
Weight	0.2835 lbs [128.59 g]

RF Connector

Connector Type	N Female
Specification	30μ" Minimum
Contact Material and Plating	Beryllium Copper, Gold
Body Material and Plating	Brass, Nickel
Torque	7 in-lbs [0.79 Nm]

Waveguide Interface

Waveguide Type	WR-137
Flange Type	PDR70
Body Material and Plating	Aluminum

Environmental Specifications
Temperature

Operating Range	-55 to +120 deg C
-----------------	-------------------

Compliance Certifications (see [product page](#) for current document)

Plotted and Other Data

Notes:

- Values at +25 °C, sea level unless stated otherwise



Fairview Microwave
 301 Leora Ln., Suite 100
 Lewisville, TX 75056
 Tel: 1-800-715-4396 / (972) 649-6678
 Fax: (972) 649-6689
www.fairviewmicrowave.com
sales@fairviewmicrowave.com

WR-137 to Type N Female Waveguide to Coax Adapter PDR70 Standard with 5.85 GHz to 8.2 GHz in Aluminum from Fairview Microwave is in-stock and available to ship same-day. All of our RF/microwave products are available off-the-shelf from our ISO 9001:2008 certified facilities in Lewisville, Texas. Fairview Microwave is RF on-demand.

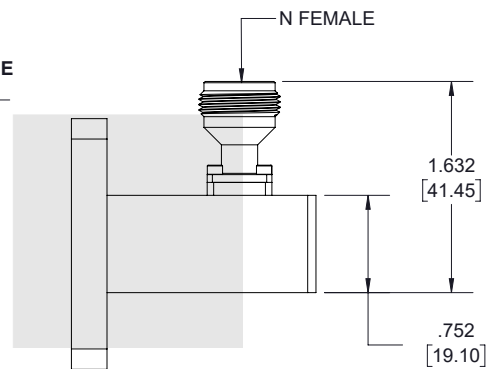
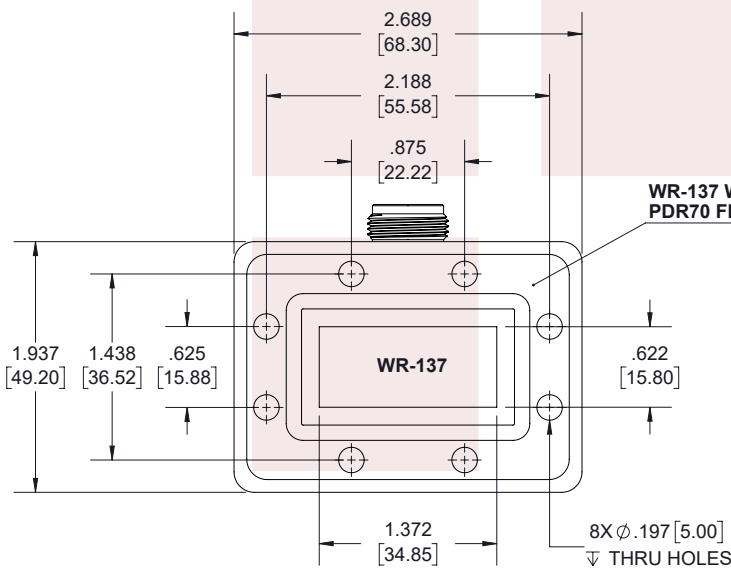
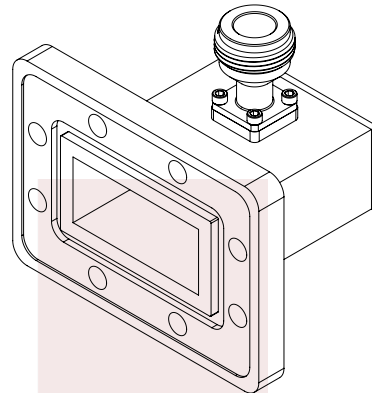
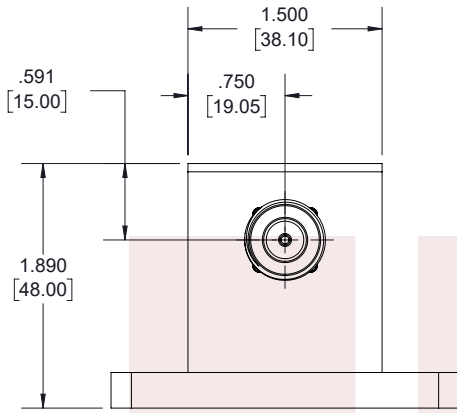
For additional information on this product, please click the following link: [WR-137 to Type N Female Waveguide to Coax Adapter PDR70 Standard with 5.85 GHz to 8.2 GHz in Aluminum SMW137ACNG](#)

URL: <https://www.fairviewmicrowave.com/wr-137-n-female-connector-waveguide-coax-adapter-5.85-8.2-ghz-smw137acng-p.aspx>

The information contained in this document is accurate to the best of our knowledge and representative of the part described herein. It may be necessary to make modifications to the part and/or the documentation of the part, in order to implement improvements. Fairview Microwave reserves the right to make such changes as required. Unless otherwise stated, all specifications are nominal. Fairview Microwave does not make any representation or warranty regarding the suitability of the part described herein for any particular purpose, and Fairview Microwave does not assume any liability arising out of the use of any part or documentation.



REVISIONS			
REV.	DESCRIPTION	DATE	APPROVED
A	INITIAL RELEASE	1/22/2020	S.PONG



THESE COMMODITIES, TECHNOLOGY OR SOFTWARE WERE EXPORTED FROM THE UNITED STATES IN ACCORDANCE WITH THE EXPORT ADMINISTRATION REGULATIONS. DIVERSION CONTRARY TO U.S. LAW PROHIBITED.

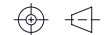
TITLE
WR-137 to Type N Female Waveguide to Coax Adapter PDR70 Standard with 5.85 GHz to 8.2 GHz in Aluminum

UNLESS OTHERWISE SPECIFIED LEADING DIMENSIONS ARE INCHES
DIMENSIONS IN [] ARE MILLIMETERS

TOLERANCES: FRACTIONS CABLE LENGTH (L) TOLERANCES:

.X = ±.2 [5.08] FRACTIONS L ≤ 12 [305] = +1 [25] / -0
.XX = ±.02 [.51] ± 1/32 12 [305] < L ≤ 60 [1524] = +2 [51] / -0
.XXX = ±.005 [.13] ANGLES ± 1° 60 [1524] < L ≤ 120 [3048] = +4 [102] / -0
120 [3048] < L ≤ 300 [7620] = +6 [152] / -0
300 [7620] < L = +5%L / -0

THIRD-ANGLE PROJECTION



THE INFORMATION AND DESIGN IN THIS DOCUMENT IS THE PROPERTY OF FAIRVIEW MICROWAVE CORPORATION. ALL RIGHTS RESERVED.

SHEET 1 OF 1

ALL DIMENSIONS SHOWN ARE FOR REFERENCE ONLY.

SCALE N/A

SIZE A	CAGE CODE 3FKR5	DRAWN BY K.DANG	ITEM NO. SMW137ACNG	REV A
-----------	--------------------	--------------------	------------------------	----------

T-Rev.D