

WR-22 Direct Read Waveguide Attenuator with Dial 0 to 60 dB Operating from 33 GHz to 50 GHz, UG-383/U Round Cover Flange

The SMW22AT5002 is a continuously variable attenuator that has “direct read” capability which allows the user to dial-in the amount of attenuation needed to within 2% accuracy over most of the attenuation range. Designed for the WR-22 frequency range (33 to 50 GHz), it is constructed using a precision rotary resistive vane in a circular waveguide. The attenuation level is stable, highly repeatable and accurate across the full frequency and attenuation range. This attenuator is ideal for precision measurements in demanding applications like instrumentation and system calibration.



Electrical Specifications

Description	Min	Typ	Max	Units
Frequency Range	33		50	GHz
Attenuation	0		60	dB
Accuracy		±0.1		dB
VSWR			1.15:1	
Insertion Loss		0.6		dB
Input Power (CW)			0.5	Watts

Attenuation Accuracy

Description	F1	F2	F3	F4	F5	Units
Atten. Setting	10	20	30	40	50	dB
Accuracy	±0.2	±0.4	±0.6	±1.6	±2	dB

Mechanical Specifications

Size	
Length	4.75 in [120.65 mm]
Width	6.25 in [158.75 mm]
Weight	45.83 lbs [20.79 kg]
Tuner Body Material & Plating	Aluminum
Tuner Finish	Black

Features:

- WR-22 Waveguide
- 33 to 50 GHz
- 0 to 60 dB attenuation range
- Stable base with height adjustable feet (1/2 inch)
- UG-383/U Flange
- 1.15:1 Maximum VSWR
- 2% attenuation accuracy over most of the attenuation range.
- 0.5 Watt Maximum Power
- Easy to read drum scale

Applications:

- Instrumentation
- System Calibration
- Research and Development
- Test Benches

Fairview Microwave
301 Leora Ln., Suite 100
Lewisville, TX 75056
Tel: 1-800-715-4396 / (972) 649-6678
Fax: (972) 649-6689
www.fairviewmicrowave.com
sales@fairviewmicrowave.com

Description	Flange 1	Waveguide	Flange 2
Designation	UG-383/U	WR-22	UG-383/U
Type	Round Cover		Round Cover
Material	Brass	Brass	Brass
Plating	Gold	Gold	Gold
Plating Spec.	ASTMB488	ASTMB488	ASTMB488
Finish	Gold	Gold	Gold

Compliance Certifications (see [product page](#) for current document)

Plotted and Other Data

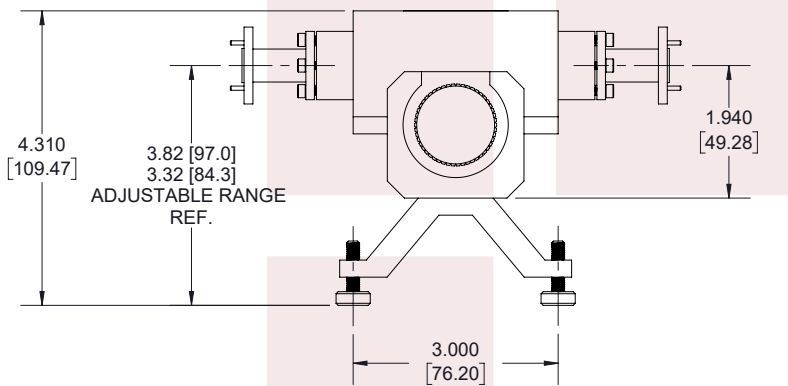
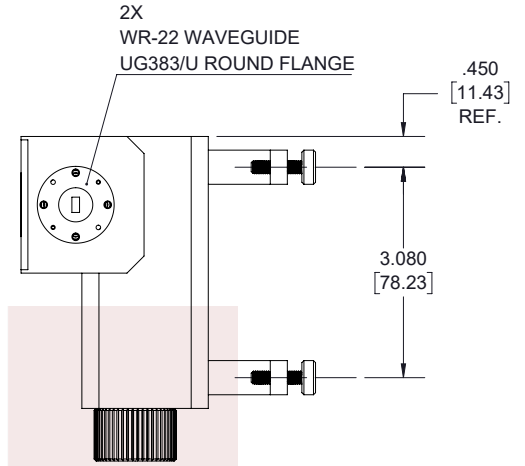
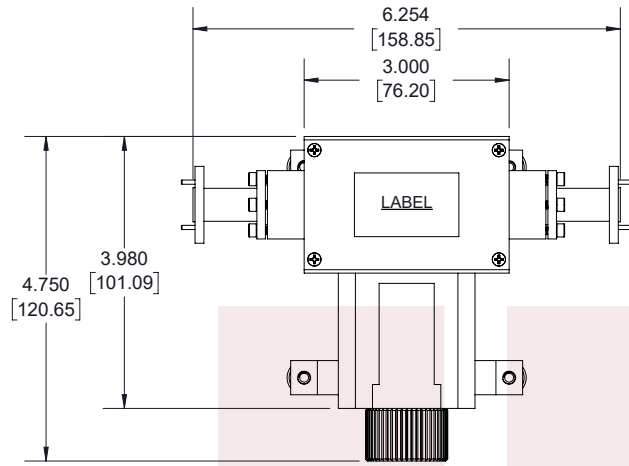
Notes:

WR-22 Direct Read Waveguide Attenuator with Dial 0 to 60 dB Operating from 33 GHz to 50 GHz, UG-383/U Round Cover Flange from Fairview Microwave is in-stock and available to ship same-day. All of our RF/microwave products are available off-the-shelf from our ISO 9001:2008 certified facilities in Allen, Texas. Fairview Microwave is RF on-demand.

For additional information on this product, please click the following link: [WR-22 Direct Read Waveguide Attenuator with Dial 0 to 60 dB Operating from 33 GHz to 50 GHz, UG-383/U Round Cover Flange SMW22AT5002](#)

URL: <https://www.fairviewmicrowave.com/60-db-wr-22-waveguide-direct-read-attenuators-50-ghz-ug383-round-smw22at5002-p.aspx>

The information contained in this document is accurate to the best of our knowledge and representative of the part described herein. It may be necessary to make modifications to the part and/or the documentation of the part, in order to implement improvements. Fairview Microwave reserves the right to make such changes as required. Unless otherwise stated, all specifications are nominal. Fairview Microwave does not make any representation or warranty regarding the suitability of the part described herein for any particular purpose, and Fairview Microwave does not assume any liability arising out of the use of any part or documentation.



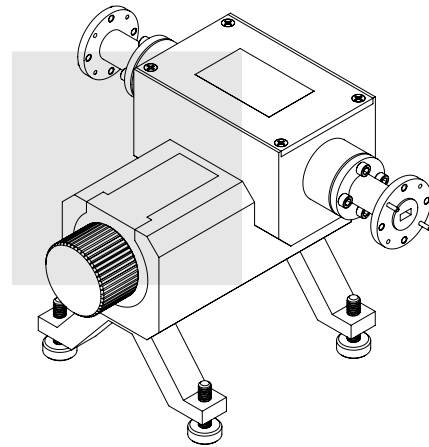
LABEL

FAIRVIEW MICROWAVE
SMW22AT5002
D/C: YYWW

STANDARD TOLERANCES

.X ±0.2
.XX ±0.01
.XXX ±0.005

*STANDARD TOLERANCES APPLY ONLY TO DIMENSIONS IN INCHES



NOTES:

1. UNLESS OTHERWISE SPECIFIED ALL DIMENSIONS ARE NOMINAL.
2. ALL SPECIFICATIONS ARE SUBJECT TO CHANGE WITHOUT NOTICE AT ANY TIME.
3. DIMENSIONS ARE IN INCHES [mm].

TITLE

WR-22 Direct Read Waveguide Attenuator with Dial
0 to 60 dB Operating from 33 GHz to 50 GHz, UG-
383/U Round Cover Flange

DWG NO

SMW22AT5002

CAGE CODE

3FKR5

CAD FILE

08/27/19

SHEET

1 OF 1

SCALE

N/A

SIZE

A 7361