

## WR-62 Twistable Flexible Waveguide in 12 Inch Using UG-419/U Square Cover Flange with a 12.4 GHz to 18 GHz Frequency Range

The SMW62TF005-12 is one of Fairview Microwave's flexible, twistable sections which operates in the 12.4 to 18 GHz range. It can be twisted and/or bent in both the E and H planes without impairing VSWR or attenuation because of its silver coated helically wound brass body construction. The twistable section is covered in a neoprene jacket which allows the section to be pressurized as well as protecting the waveguide's integrity.

### Electrical Specifications

Description	Min	Typ	Max	Units
Frequency Range	12.4		18	GHz
VSWR		1.1:1		
Insertion Loss		0.28		dB
Input Power			400	Watts
Peak Power			100	kWatts

### Mechanical Specifications

Waveguide Size	WR-62
Waveguide Design	Twistable
Section Length	12 in [304.8 mm]
E-Plane Minimum Bend Radius, One Time	2 in [50.8 mm]
E-Plane Minimum Bend Radius, Repeated	8 in [203.2 mm]
H-Plane Minimum Bend Radius, One Time	4 in [101.6 mm]
H-Plane Minimum Bend Radius, Repeated	16 in [406.4 mm]
Maximum Offset Rotation, One Time	136 degrees/ft
Maximum Offset Rotation, Repeated	34 degrees/ft
Maximum Operating Pressure	45 psig

Description	Flange 1	Waveguide	Flange 2
Type	Square Cover	WR-62	Square Cover
Designation	UG-419/U		UG-419/U
Material	Brass	Brass	Brass
Plating		Silver	
Color	Gold	Black	Gold

**Compliance Certifications** (see [product page](#) for current document)

### Plotted and Other Data

Notes:

- Notes, Plotted Data



### Features:

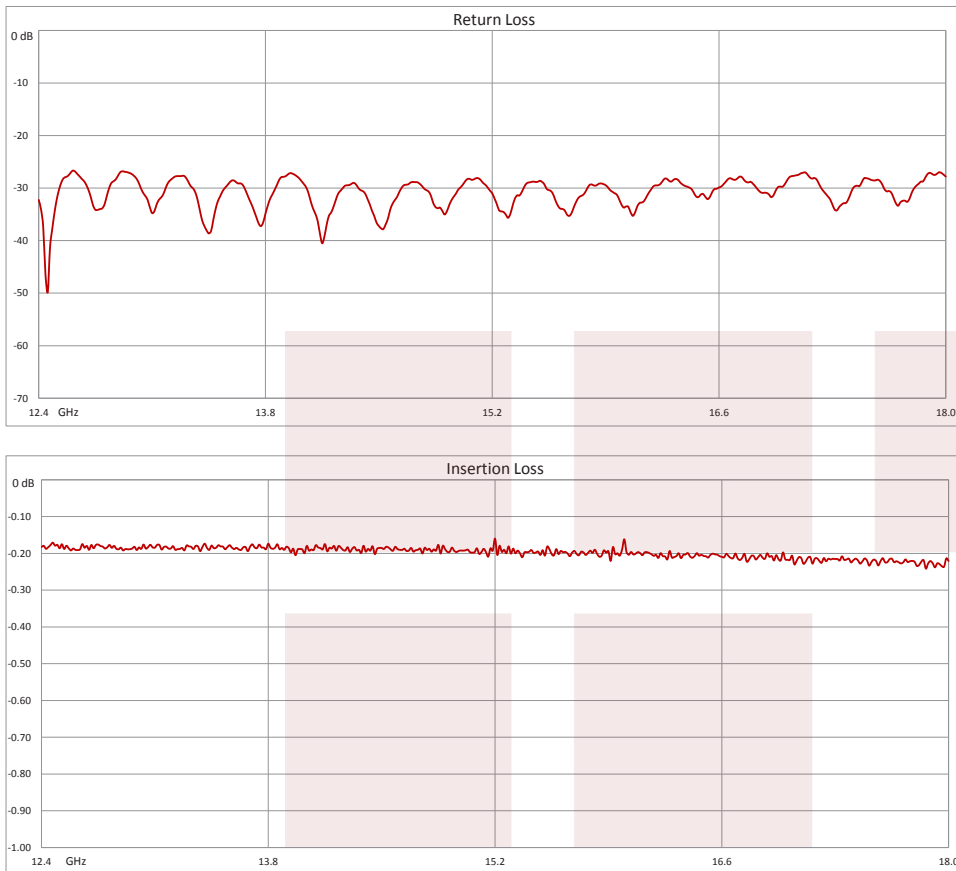
- Twistable/Flexible in both the E and H plane
- Neoprene Jacket allows pressurization
- 12.4 GHz to 18 GHz Range
- Brass flanges with a silver plated brass body

### Applications:

- Test Benches
- Microwave Radio
- Pressurized waveguide systems
- Provides vibration isolation
- Easily connects misaligned sections.
- Relieves mechanical stresses caused by thermal expansion/contraction.

Fairview Microwave  
 301 Leora Ln., Suite 100  
 Lewisville, TX 75056  
 Tel: 1-800-715-4396 / (972) 649-6678  
 Fax: (972) 649-6689  
[www.fairviewmicrowave.com](http://www.fairviewmicrowave.com)  
[sales@fairviewmicrowave.com](mailto:sales@fairviewmicrowave.com)

**Typical Performance Data**



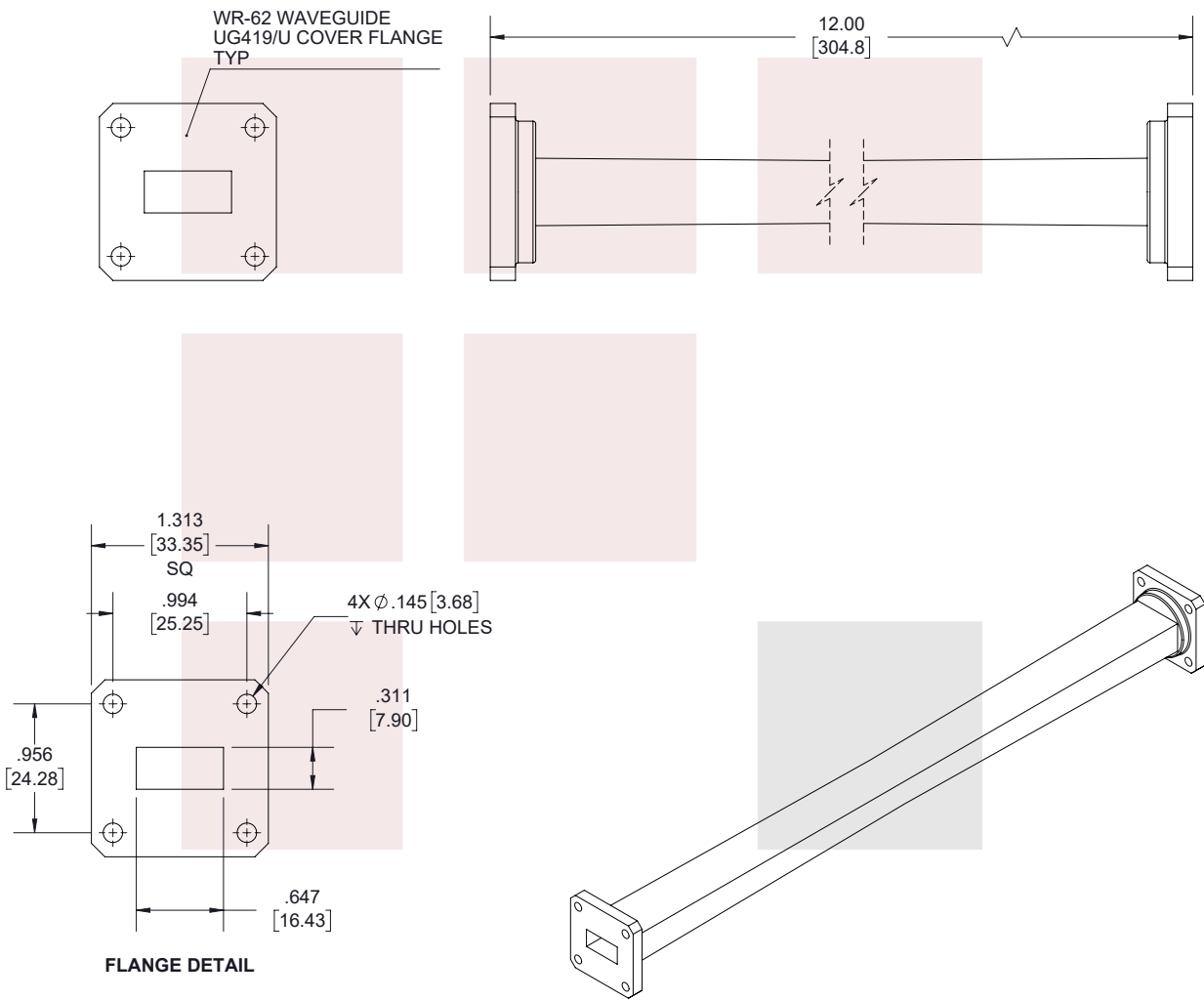
WR-62 Twistable Flexible Waveguide in 12 Inch Using UG-419/U Square Cover Flange with a 12.4 GHz to 18 GHz Frequency Range from Fairview Microwave is in-stock and available to ship same-day. All of our RF/microwave products are available off-the-shelf from our ISO 9001:2008 certified facilities in Allen, Texas. Fairview Microwave is RF on-demand.

For additional information on this product, please click the following link: [WR-62 Twistable Flexible Waveguide in 12 Inch Using UG-419/U Square Cover Flange with a 12.4 GHz to 18 GHz Frequency Range SMW62TF005-12](https://www.fairviewmicrowave.com/wr-62-twistable-flexible-waveguide-ug419-square-12.4-18-ghz-smw62tf005-12-p.aspx)

URL: <https://www.fairviewmicrowave.com/wr-62-twistable-flexible-waveguide-ug419-square-12.4-18-ghz-smw62tf005-12-p.aspx>

The information contained in this document is accurate to the best of our knowledge and representative of the part described herein. It may be necessary to make modifications to the part and/or the documentation of the part, in order to implement improvements. Fairview Microwave reserves the right to make such changes as required. Unless otherwise stated, all specifications are nominal. Fairview Microwave does not make any representation or warranty regarding the suitability of the part described herein for any particular purpose, and Fairview Microwave does not assume any liability arising out of the use of any part or documentation.

REVISIONS			
REV.	DESCRIPTION	DATE	APPROVED
A	PCR SMW62TF005-XX 20191125	12/03/19	S.PONG



THESE COMMODITIES, TECHNOLOGY OR SOFTWARE WERE EXPORTED FROM THE UNITED STATES IN ACCORDANCE WITH THE EXPORT ADMINISTRATION REGULATIONS. DIVERSION CONTRARY TO U.S. LAW PROHIBITED.

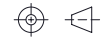
TITLE  
WR-62 Twistable Flexible Waveguide in 12 Inch Using UG-419/U Square Cover Flange with a 12.4 GHz to 18 GHz Frequency Range

UNLESS OTHERWISE SPECIFIED LEADING DIMENSIONS ARE INCHES  
DIMENSIONS IN [ ] ARE MILLIMETERS

TOLERANCES: CABLE LENGTH (L) TOLERANCES:

.X = ±.2 [5.08]	FRACTIONS	L ≤ 12 [305] = +1 [25] / -0
.XX = ±.02 [.51]	± 1/32	12 [305] < L ≤ 60 [1524] = +2 [51] / -0
.XXX = ±.005 [.13]	ANGLES ± 1°	60 [1524] < L ≤ 120 [3048] = +4 [102] / -0
		120 [3048] < L ≤ 300 [7620] = +6 [152] / -0
		300 [7620] < L = +5%L / -0

THIRD-ANGLE PROJECTION



THE INFORMATION AND DESIGN IN THIS DOCUMENT IS THE PROPERTY OF FAIRVIEW MICROWAVE CORPORATION. ALL RIGHTS RESERVED.

SHEET 1 OF 1

SCALE N/A

ALL DIMENSIONS SHOWN ARE FOR REFERENCE ONLY.

SIZE A	CAGE CODE 3FKR5	DRAWN BY K.DANG	PART NUMBER SMW62TF005-12	REV A
-----------	--------------------	--------------------	------------------------------	----------

T-Rev.D