

WR-90 Standard Waveguide Horn With Square Cover Flange and 10 dB Typical Gain Operating From 8.2 GHz to 12.4 GHz Frequency Range

Electrical Specifications*

Description	Min	Typ	Max	Units
Frequency	8.2		12.4	GHz
Nominal Gain	10			dB

* Values at 25°C, sea level

Mechanical Specifications

Size	Min	Typ	Max	Units
Length			2.01 in [51.05 mm]	
Width			1.58 in [40.13 mm]	
Height			1.15 in [29.21 mm]	

Compliance Certifications (visit www.FairviewMicrowave.com for current document)

Plotted and Other Data

- Notes:
- Values at 25 °C, sea level

WR-90 Standard Waveguide Horn With Square Cover Flange and 10 dB Typical Gain Operating From 8.2 GHz to 12.4 GHz Frequency Range from Fairview Microwave is in-stock and available to ship same-day. All of our RF/microwave products are available off-the-shelf from our ISO 9001:2008 certified facilities in Allen, Texas. Fairview Microwave is RF on-demand.

For additional information on this product, please click the following link: [WR-90 Standard Waveguide Horn With Square Cover Flange and 10 dB Typical Gain Operating From 8.2 GHz to 12.4 GHz Frequency Range SMW90AN001](#)

URL: <http://www.fairviewmicrowave.com/wr-90-waveguide-standard-gain-horn-10-db-square-smw90an001-p.aspx>

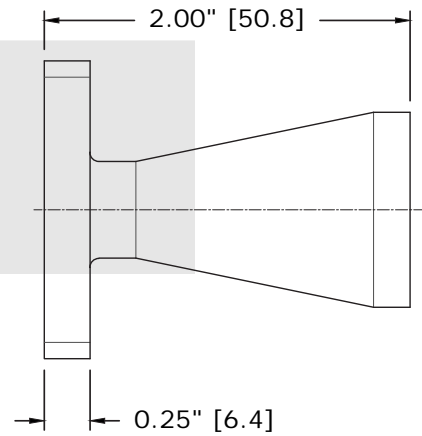
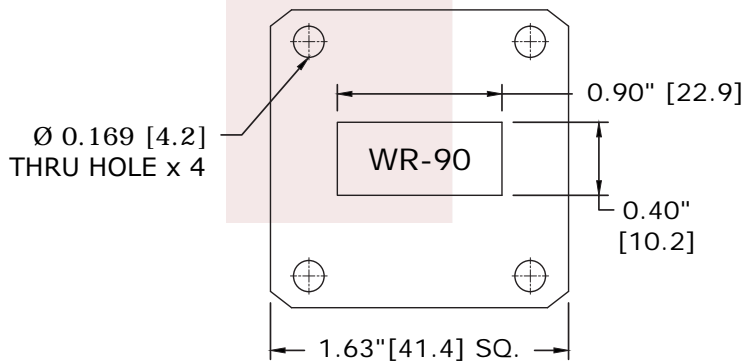
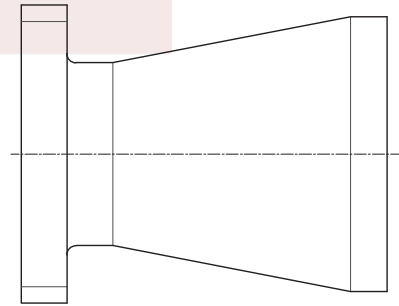
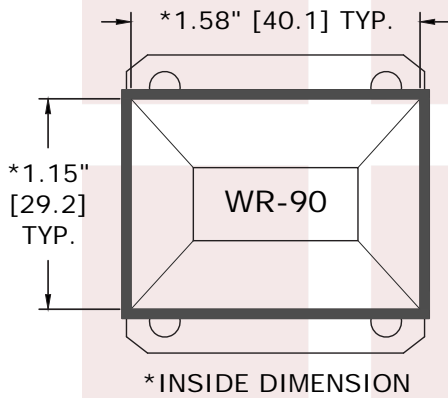
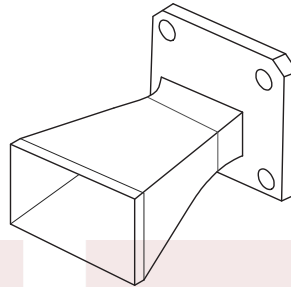
The information contained in this document is accurate to the best of our knowledge and representative of the part described herein. It may be necessary to make modifications to the part and/or the documentation of the part, in order to implement improvements. Fairview Microwave reserves the right to make such changes as required. Unless otherwise stated, all specifications are nominal. Fairview Microwave does not make any representation or warranty regarding the suitability of the part described herein for any particular purpose, and Fairview Microwave does not assume any liability arising out of the use of any part or documentation.



Features:

- Frequency Range: 8.2 to 12.4 GHz
- Polarization: Linear
- Interface 1: WR-90
- Housing Material and Plating: Aluminum, Corrosion Resistant Epoxy

Fairview Microwave
 1130 Junction Dr. #100
 Allen, TX 75013
 Tel: 1-800-715-4396 / (972) 649-6678
 Fax: (972) 649-6689
www.fairviewmicrowave.com
sales@fairviewmicrowave.com



FAIRVIEW MICROWAVE INC. ALLEN, TX 75013 WWW.FAIRVIEWMICROWAVE.COM		NOTES: 1. UNLESS OTHERWISE SPECIFIED ALL DIMENSIONS ARE NOMINAL. 2. ALL SPECIFICATIONS ARE SUBJECT TO CHANGE WITHOUT NOTICE AT ANY TIME. 3. DIMENSIONS ARE IN INCHES [mm].			
TITLE WR-90 Standard Waveguide Horn With Square Cover Flange and 10 dB Typical Gain Operating From 8.2 GHz to 12.4 GHz Frequency Range		DWG NO SMW90AN001		CAGE CODE 3FKR5	
CAD FILE	011415	SHEET	SCALE	N/A	SIZE A 5568