

SMA F/F ROTARY JOINT 18GHZ

SR1804

SPECIFICATIONS

ELECTRICAL

50 OHMS
 VSWR 1.25:1 MAX @ 18 GHZ
 FREQUENCY: 0-18 GHZ
 POWER HANDLING: 100 WATTS @ 11 GHZ
 70 WATTS @ 18 GHZ
 Pin : 70 W CW max – Peak Power: 1500 W max

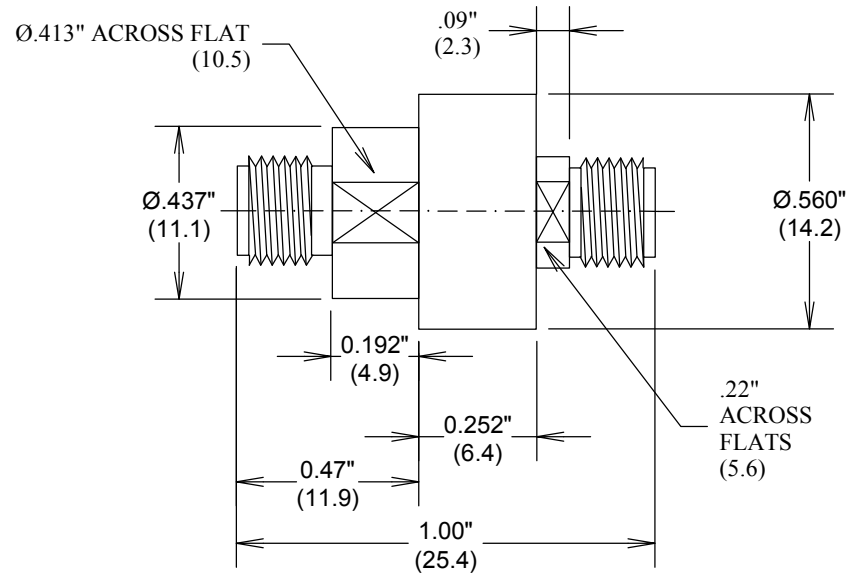
MECHANICAL

500 MATING CYCLES MIN
 100 RPM ROTATIONAL SPEED

MATERIALS BODY:

PASSIVATED STAINLESS STEEL PER ASTM A582
 MATERIAL CONTACT: BeCu ATSM-B-196

ROHS COMPLIANT



SMA/F'S HAVE AIR DIELECTRIC

FAIRVIEW MICROWAVE INC.

ALLEN, TX 75013 WWW.FAIRVIEWMICROWAVE.COM

TITLE

SMA F/F ROTARY JOINT 18GHZ

SIZE	CAGE CODE	DWG NO	REV
A	3FKR5	SR1804	--
SCALE		SHEET	

ALL DIMENSIONS IN inches(MM) Typical