

BNC M/F FEEDTHRU TERMINATION

ST0175

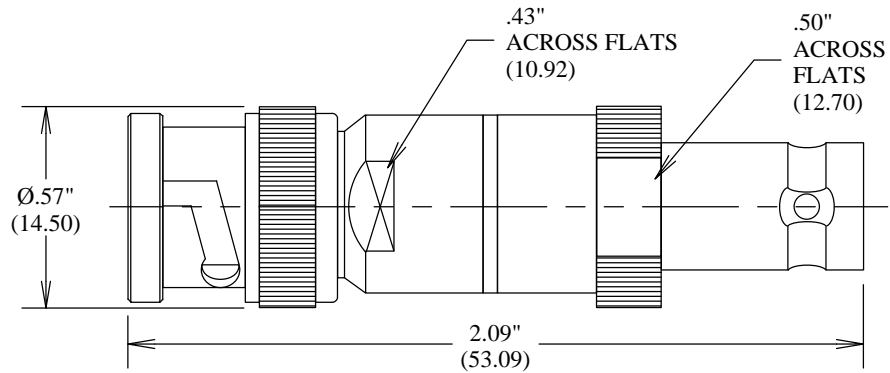
SPECIFICATIONS

ELECTRICAL:

FREQUENCY: 0-1 GHZ
 IMPEDANCE: 75 OHMS
 VSWR: 1.10 @ 0.1 GHZ
 1.25 @ 0.5 GHZ
 1.30 @ 1 GHZ
 RF POWER HANDLING: 2 WATTS

MECHANICAL:

MATERIAL BODY: BRASS
 CENTER CONTACTS FEMALE: PHOSPHOR BRONZE
 CENTER CONTACTS MALE: BRASS
 ROHS COMPLIANT



		FAIRVIEW MICROWAVE INC.		
		ALLEN, TX 75013 WWW.FAIRVIEWMICROWAVE.COM		
		TITLE		
		BNC M/F FEEDTHRU TERMINATION 75 OHMS		
ALL DIMENSIONS IN inches(MM) Typical		SIZE	CAGE CODE	DWG NO
		A	3FKR5	ST0175
		SCALE		SHEET
				REV
				--