

75 Ohm Feed-Thru Load 2 Watts to 1,000 MHz Tri-Metal Plated Brass BNC Male

RF feed-thru termination (also called RF feed-thru load) ST0175A from Fairview Microwave operates from DC to 1,000 MHz and handles up to 2 Watts (CW). ST0175A BNC feed-thru load termination offers 1.3:1 max VSWR. This feed-thru BNC male to BNC female load is designed to be used with oscilloscopes and other test equipment to match to the 75 Ohm device under test (DUT).

RF terminations / loads are critical passive components in many RF, microwave and millimeter wave systems where signal reflection from unused ports can reduce the signal integrity and can potentially damage the device. By terminating an unused port with a matched load (dummy load), the incident energy will be absorbed with minimal reflection. These radio frequency termination components are commonly used to terminate devices such as couplers, circulators, and switches. Loads / terminations are also widely used in measurement systems to ensure accurate results. Fairview offers a large selection of in-stock RF, microwave and millimeter wave terminations to fit your needs.



Features:

- DC to 1,000 MHz Frequency Range
- VSWR 1.3:1 Max
- Max Power 2 Watts (CW)
- 75 Ohm BNC Male to Female Coaxial Interface

Applications:

- Wireless
- SATCOM
- Radar Systems
- Test and Measurement
- Commercial Communication
- Military Communication

Electrical Specifications

Description	Min	Typ	Max	Units
Frequency Range	DC		1,000	MHz
Impedance		75		Ohms
VSWR, Input			1.3:1	
VSWR, Output			1.4:1	
Input Power (CW)			2	Watts

Performance by Frequency

Description	F1	F2	F3	F4	F5	Units
Freq. Range	DC-0.1	0.1-0.5	0.5-1			GHz
VSWR, In Max	1.1:1	1.25:1	1.3:1			
VSWR, Out Max	1.1:1	1.25:1	1.4:1			

Electrical Specification Notes:
 Values at +25°C, sea level.

Mechanical Specifications

Size	
Length	2.09 in [53.09 mm]
Width	0.57 in [14.48 mm]
Weight	2.9 lbs [1.32 Kg]

Configuration

Connector 1	BNC Male
Connector 2	BNC Female

Fairview Microwave
 301 Leora Ln., Suite 100
 Lewisville, TX 75056
 Tel: 1-800-715-4396 / (972) 649-6678
 Fax: (972) 649-6689
www.fairviewmicrowave.com
sales@fairviewmicrowave.com

Material Specifications

Description	Material	Plating
Connector 1 Contact	Phosphor Bronze	Gold over Nickel 20 µin minimum
Connector 2 Contact	Phosphor Bronze	Gold over Nickel 20 µin minimum
Insulation	PTFE	
Body	Brass	Tri-Metal 100 µin minimum
Coupling Nut	Brass	Tri-Metal 100 µ-in.
Housing	Brass	Tri-Metal 100 µin minimum

Compliance Certifications (see [product page](#) for current document)

Plotted and Other Data

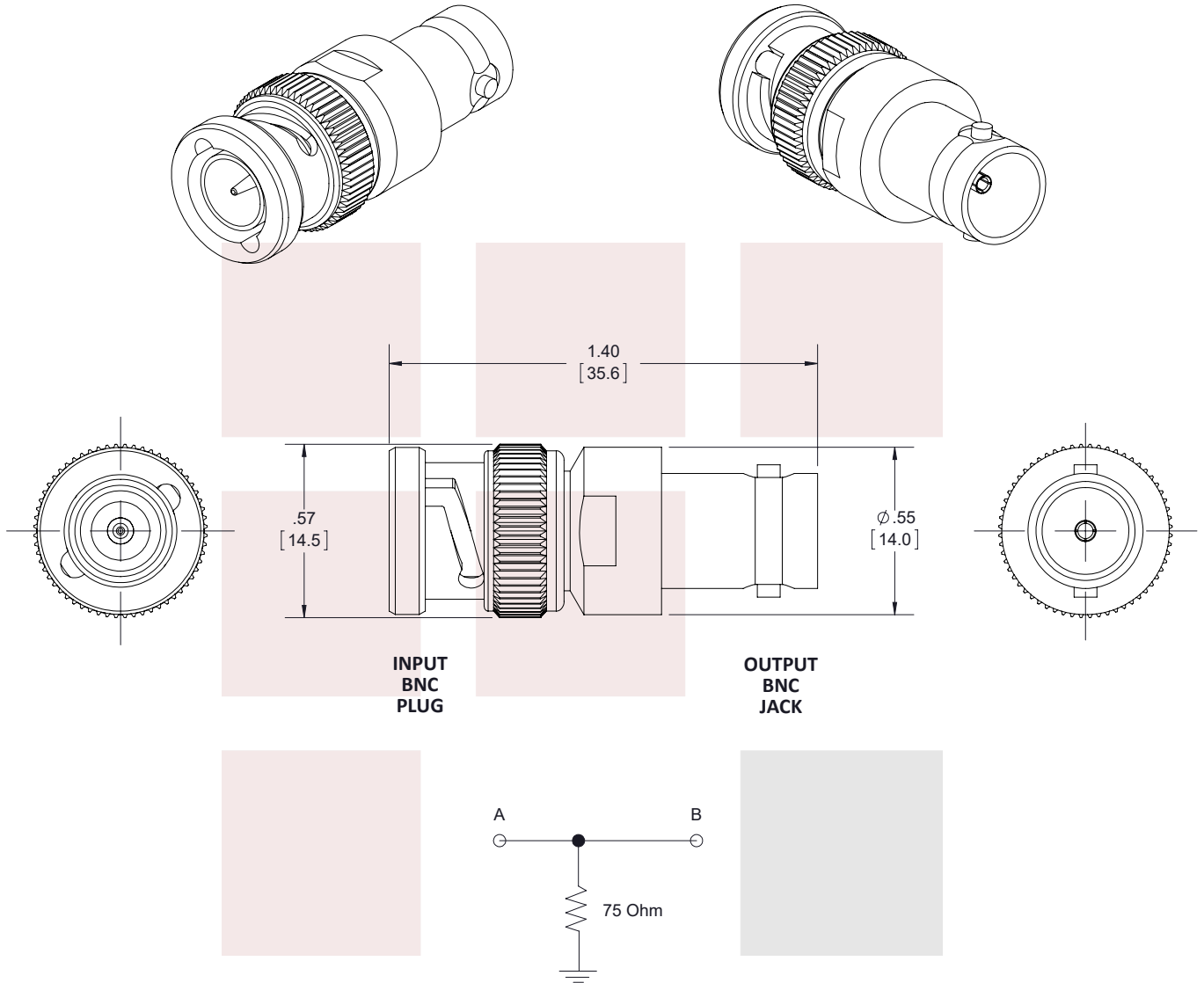
Notes:

75 Ohm Feed-Thru Load 2 Watts to 1,000 MHz Tri-Metal Plated Brass BNC Male from Fairview Microwave is in-stock and available to ship same-day. All of our RF/microwave products are available off-the-shelf from our ISO 9001:2008 certified facilities in Allen, Texas. Fairview Microwave is RF on-demand.

For additional information on this product, please click the following link: [75 Ohm Feed-Thru Load 2 Watts to 1,000 MHz Tri-Metal Plated Brass BNC Male ST0175A](#)

URL: <https://www.fairviewmicrowave.com/feed-thru-load-2-watts-1000-mhz-bnc-male-st0175a-p.aspx>

The information contained in this document is accurate to the best of our knowledge and representative of the part described herein. It may be necessary to make modifications to the part and/or the documentation of the part, in order to implement improvements. Fairview Microwave reserves the right to make such changes as required. Unless otherwise stated, all specifications are nominal. Fairview Microwave does not make any representation or warranty regarding the suitability of the part described herein for any particular purpose, and Fairview Microwave does not assume any liability arising out of the use of any part or documentation.



STANDARD TOLERANCES	
.X	±0.2
.XX	±0.01
.XXX	±0.005

*STANDARD TOLERANCES APPLY ONLY TO DIMENSIONS IN INCHES

FAIRVIEW MICROWAVE INC. ALLEN, TX 75013 WWW.FAIRVIEWMICROWAVE.COM		NOTES: 1. UNLESS OTHERWISE SPECIFIED ALL DIMENSIONS ARE NOMINAL. 2. ALL SPECIFICATIONS ARE SUBJECT TO CHANGE WITHOUT NOTICE AT ANY TIME. 3. DIMENSIONS ARE IN INCHES [mm].						
TITLE 75 Ohm Feed-Thru Load 2 Watts to 1,000 MHz Tri-Metal Plated Brass BNC Male		DWG NO ST0175A		CAGE CODE 3FKR5				
CAD FILE	092817	SHEET	1 OF 1	SCALE	N/A	SIZE	A	7361