

TERMINATIONS 4GHZ SMB

ST04B -P, -J

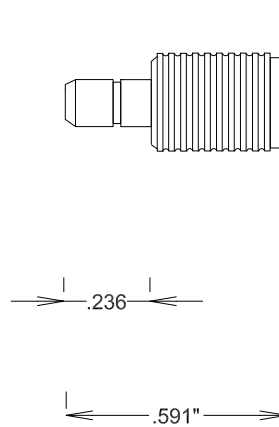
SPECIFICATIONS

ELECTRICAL:

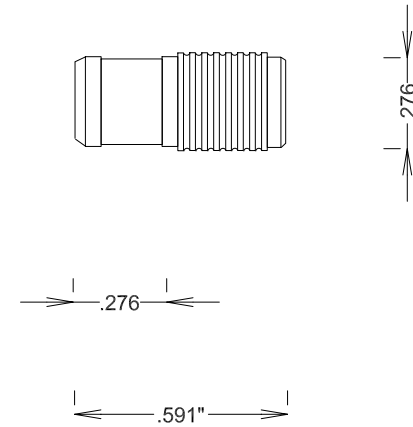
FREQUENCY: 0-4 GHZ
 VSWR @ 4 GHZ: 1.2:1 MAX
 POWER (AVG) 1WATT @ 25 DEG C
 POWER (PEAK) 1KW/50 MICRO-S
 IMPEDANCE: 50 OHMS
 OP. TEMP RANGE: -55C- +125C

MECHANICAL:

MATERIAL BODY: BRASS
 BODY PLATING : Au



ST04B-J



ST04B-P

				FAIRVIEW MICROWAVE INC.	
				ALLEN, TX 75013 WWW.FAIRVIEWMICROWAVE.COM	
				TITLE	
				TERMINATIONS 4GHZ SMB	
SIZE	CAGE CODE	DWG NO			REV
A	3FKR5	ST04B -P, -J			--
SCALE			SHEET		