

RF Load 1 Watts To 18 GHz Passivated Stainless Steel SMA Male

RF termination (also called RF load or dummy load) ST1827 from Fairview Microwave operates from DC to 18 GHz and handles up to 1 Watt (CW). This SMA termination (or load) has a male gender. ST1827 SMA load termination offers 1.15:1 max VSWR.

RF terminations / loads are critical passive components in many RF, microwave and millimeter wave systems where signal reflection from unused ports can reduce the signal integrity and can potentially damage the device. By terminating an unused port with a matched load (dummy load), the incident energy will be absorbed with minimal reflection. These radio frequency termination components are commonly used to terminate devices such as couplers, circulators, and switches. Loads / terminations are also widely used in measurement systems to ensure accurate results. Fairview offers a large selection of in-stock RF, microwave and millimeter wave terminations up to 65 GHz with great performance over the entire operating range and with power handling capabilities up to 800 Watts (CW).



Features:

- DC to 18 GHz Frequency Range
- VSWR 1.15:1 Max
- Max Power 1 Watt (CW)
- SMA Male Coaxial Interface

Applications:

- Wireless
- SatCom
- Radar Systems
- Test and Measurement
- Commercial and Military Communication

Electrical Specifications

| Description | Min | Typ | Max | Units |
|---|-----|-----|--------|-------|
| Frequency Range | DC | | 18 | GHz |
| Impedance | | 50 | | Ohms |
| VSWR | | | 1.15:1 | |
| Input Power (CW) derated linearly to 0.1W from +45°C to +125°C | | | 1 | Watts |
| Input Power (Peak) 5µs pulse, 1% duty cycle | | | 500 | Watts |

Mechanical Specifications

| | |
|-------------|--------------------|
| Size | |
| Length | 0.52 in [13.21 mm] |
| Width | 0.315 in [8 mm] |
| Weight | 0.00661 lbs [3 g] |

Configuration

| | |
|-------------------------|-------------|
| Connector | SMA Male |
| Connector Specification | MIL-STD-348 |
| Hex Size | 5/16 inch |

Fairview Microwave
 1130 Junction Dr. #100
 Allen, TX 75013
 Tel: 1-800-715-4396 / (972) 649-6678
 Fax: (972) 649-6689
www.fairviewmicrowave.com
sales@fairviewmicrowave.com

Material Specifications

| Description | Material | Plating |
|---------------------|----------------------------|-----------------------|
| Connector 1 Contact | Beryllium Copper | Gold MIL-PRF-39012 |
| Insulation | PTFE | |
| Body | Passivated Stainless Steel | |
| Coupling Nut | Passivated Stainless Steel | |
| Housing | Passivated Stainless Steel | |

Environmental Specifications

Temperature

Operating Range -65 to +125 deg C
 Storage Range -65 to +150 deg C

Environmental Specification Notes:
 Meets MIL-DTL-39030/3 environmental requirements.

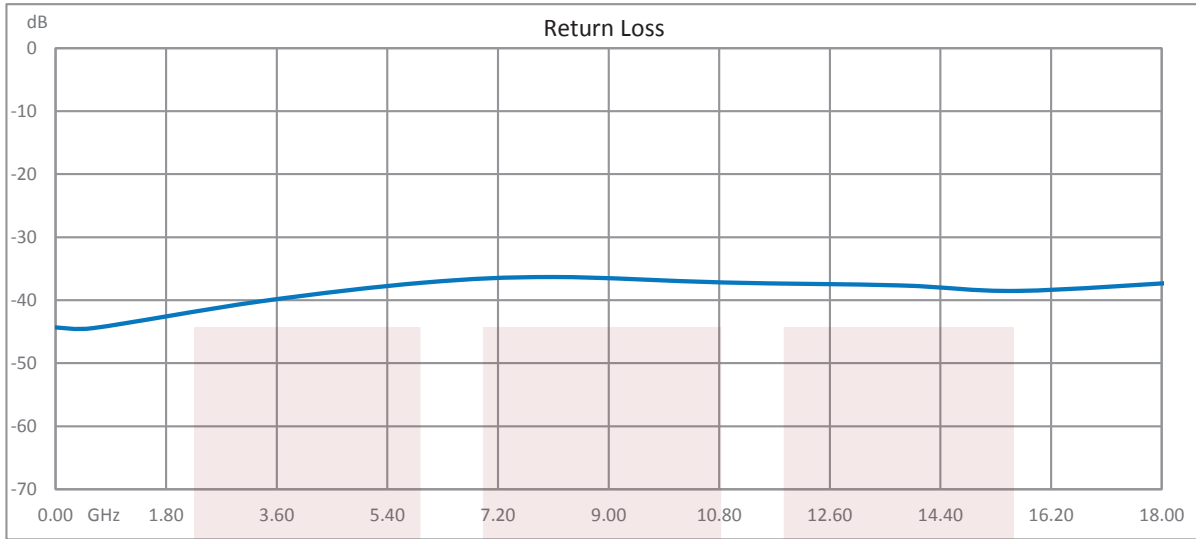
Compliance Certifications (visit www.FairviewMicrowave.com for current document)

RoHS Compliant Yes
 REACH Compliant 12/17/2015

Plotted and Other Data

Notes:

Typical Performance Data

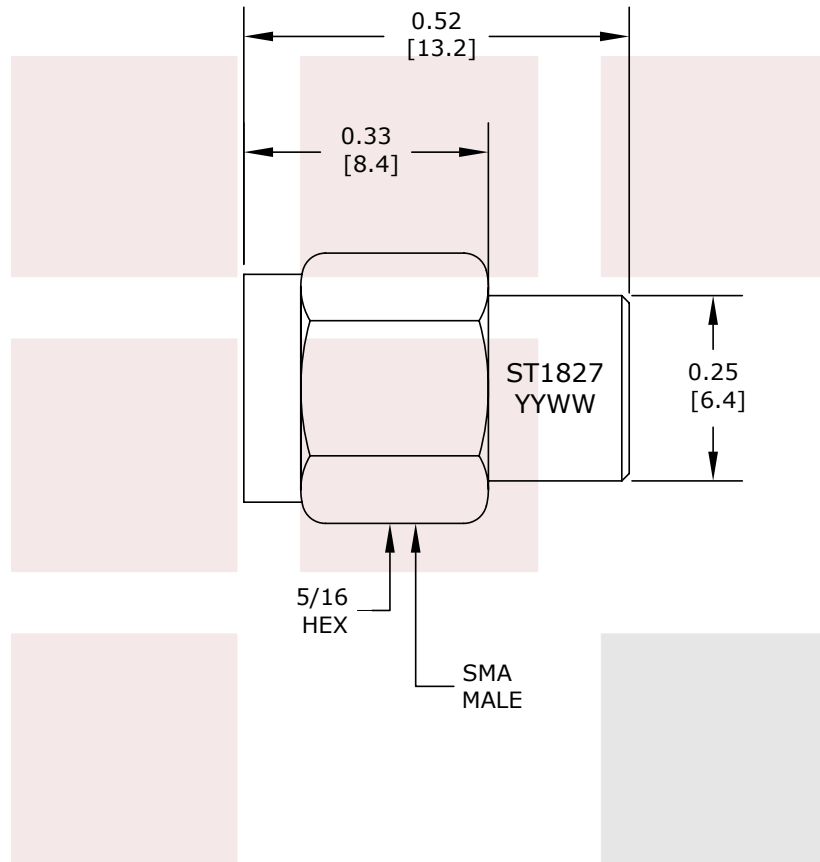


RF Load 1 Watts To 18 GHz Passivated Stainless Steel SMA Male from Fairview Microwave is in-stock and available to ship same-day. All of our RF/microwave products are available off-the-shelf from our ISO 9001:2008 certified facilities in Allen, Texas. Fairview Microwave is RF on-demand.

For additional information on this product, please click the following link: [RF Load 1 Watts To 18 GHz Passivated Stainless Steel SMA Male ST1827](#)

URL: <https://www.fairviewmicrowave.com/rf-load-1-watts-18-ghz-sma-male-st1827-p.aspx>

The information contained in this document is accurate to the best of our knowledge and representative of the part described herein. It may be necessary to make modifications to the part and/or the documentation of the part, in order to implement improvements. Fairview Microwave reserves the right to make such changes as required. Unless otherwise stated, all specifications are nominal. Fairview Microwave does not make any representation or warranty regarding the suitability of the part described herein for any particular purpose, and Fairview Microwave does not assume any liability arising out of the use of any part or documentation.



| STANDARD TOLERANCES | |
|---------------------|--------|
| .X | ±0.03 |
| .XX | ±0.010 |
| .XXX | ±0.005 |

*STANDARD TOLERANCES APPLY ONLY TO DIMENSIONS IN INCHES

| | | | | | |
|---|------------------|---|-----------|------|--|
| FAIRVIEW MICROWAVE INC. ALLEN, TX 75013 WWW.FAIRVIEWMICROWAVE.COM | | NOTES: 1. UNLESS OTHERWISE SPECIFIED ALL DIMENSIONS ARE NOMINAL. 2. ALL SPECIFICATIONS ARE SUBJECT TO CHANGE WITHOUT NOTICE AT ANY TIME. 3. DIMENSIONS ARE IN INCHES [mm]. | | | |
| TITLE RF Load 1 Watts To 18 GHz Passivated Stainless Steel SMA Male | DWG NO ST1827 | CAGE CODE 3FKR5 | | | |
| CAD FILE 041316 | SHEET | SCALE N/A | SIZE A | 3045 | |