

75 Ohm RF Load 2 Watts To 2 GHz BNC Female

Electrical Specifications

Description	Min	Typ	Max	Units
Frequency Range	DC		2	GHz
Impedance		75		Ohms
VSWR			1.15:1	
Input Power (CW)			2	Watts
Input Power (Peak)			1	KWatts

Mechanical Specifications

Size	
Length	1.27 in [32.26 mm]
Width	0.52 in [13.21 mm]
Weight	0.0405 lbs [18.37 g]

Configuration	
Connector	BNC Female

Material Specifications

Description	Material	Plating
Connector 1 Contact		Gold
Body	Brass	Tri-Metal

Environmental Specifications

Temperature	
Operating Range	-55 to +125 deg C

Compliance Certifications (see [product page](#) for current document)

DFARS Compliant	1
-----------------	---



Fairview Microwave
 1130 Junction Dr. #100
 Allen, TX 75013
 Tel: 1-800-715-4396 / (972) 649-6678
 Fax: (972) 649-6689
www.fairviewmicrowave.com
sales@fairviewmicrowave.com

Plotted and Other Data

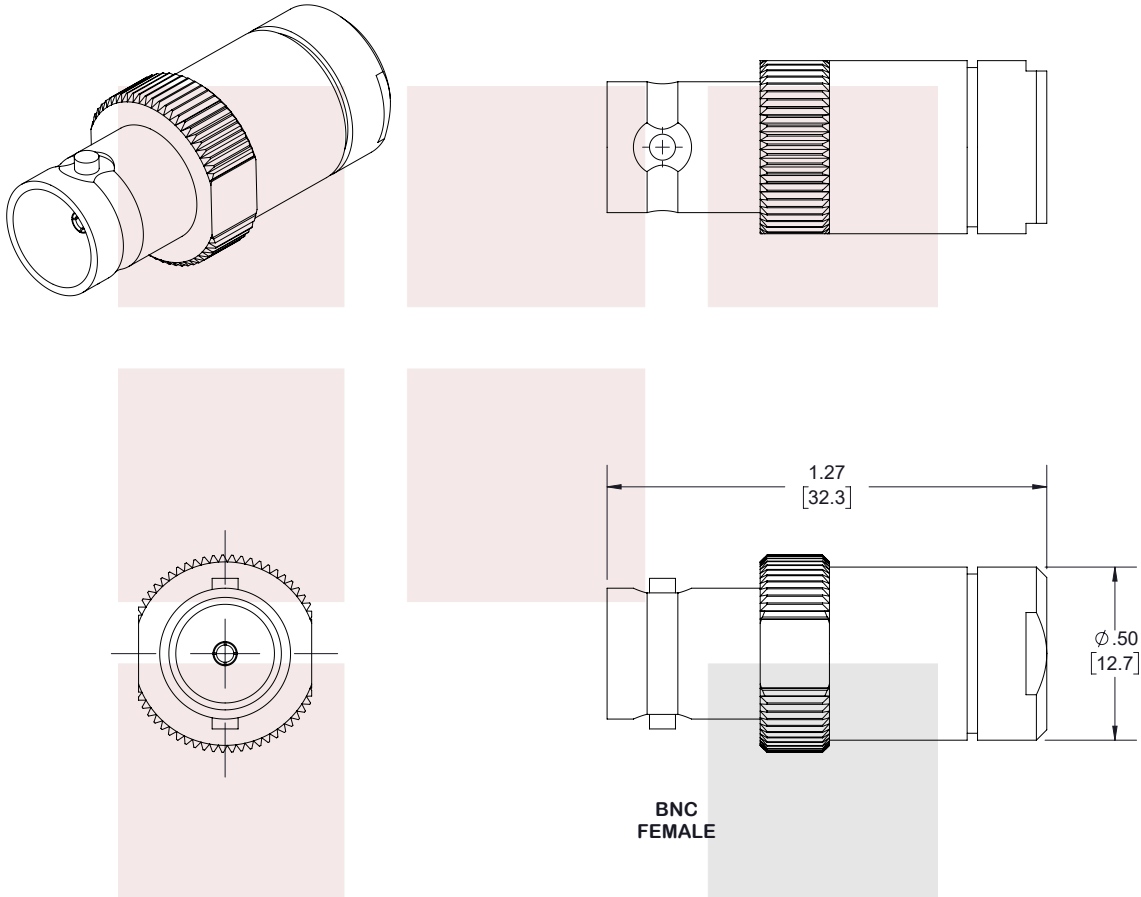
Notes:

75 Ohm RF Load 2 Watts To 2 GHz BNC Female from Fairview Microwave is in-stock and available to ship same-day. All of our RF/microwave products are available off-the-shelf from our ISO 9001:2008 certified facilities in Allen, Texas. Fairview Microwave is RF on-demand.

For additional information on this product, please click the following link: [75 Ohm RF Load 2 Watts To 2 GHz BNC Female ST2B75F](#)

URL: <https://www.fairviewmicrowave.com/rf-load-2-watts-2-ghz-bnc-female-st2b75f-p.aspx>

The information contained in this document is accurate to the best of our knowledge and representative of the part described herein. It may be necessary to make modifications to the part and/or the documentation of the part, in order to implement improvements. Fairview Microwave reserves the right to make such changes as required. Unless otherwise stated, all specifications are nominal. Fairview Microwave does not make any representation or warranty regarding the suitability of the part described herein for any particular purpose, and Fairview Microwave does not assume any liability arising out of the use of any part or documentation.



STANDARD TOLERANCES	
.X	±0.2
.XX	±0.01
.XXX	±0.005

*STANDARD TOLERANCES APPLY ONLY TO DIMENSIONS IN INCHES

FAIRVIEW MICROWAVE INC. ALLEN, TX 75013 WWW.FAIRVIEWMICROWAVE.COM		NOTES: 1. UNLESS OTHERWISE SPECIFIED ALL DIMENSIONS ARE NOMINAL. 2. ALL SPECIFICATIONS ARE SUBJECT TO CHANGE WITHOUT NOTICE AT ANY TIME. 3. DIMENSIONS ARE IN INCHES [mm].			
TITLE 75 Ohm RF Load 2 Watts To 2 GHz BNC Female		DWG NO ST2B75F		CAGE CODE 3FKR5	
CAD FILE	103017	SHEET	1 OF 1	SCALE	N/A
		SIZE	A		7361