

SMA Male (Plug) Termination (Load) 5 Watts To 18 GHz, Black Anodized Aluminum Heatsink, 1.25 VSWR, 500 Watts Peak Power

RF termination (also called RF load or dummy load) ST3057 from Fairview Microwave operates from DC to 18 GHz and handles up to 5 Watts (CW). This SMA termination (or load) has a male gender. ST3057 SMA load termination offers 1.25:1 max VSWR. This 5W SMA terminator from Fairview Microwave has a heatsink body which is designed to provide adequate heat dissipation within its full frequency of operation.

RF terminations / loads are critical passive components in many RF, microwave and millimeter wave systems where signal reflection from unused ports can reduce the signal integrity and can potentially damage the device. By terminating an unused port with a matched load (dummy load), the incident energy will be absorbed with minimal reflection. These radio frequency termination components are commonly used to terminate devices such as couplers, circulators, and switches. Loads / terminations are also widely used in measurement systems to ensure accurate results. Fairview offers a large selection of in-stock RF, microwave and millimeter wave terminations up to 65 GHz with great performance over the entire operating range and with power handling capabilities up to 800 Watts (CW).

Electrical Specifications

Description	Min	Typ	Max	Units
Frequency Range	DC		18	GHz
Impedance		50		Ohms
VSWR			1.25:1	
Input Power (CW) derated linearly to 1W at +125°C			5	Watts
Input Power (Peak) 5µs pulse, 0.25% duty cycle			500	Watts

Performance by Frequency

Description	F1	F2	F3	F4	F5	Units
Freq. Range	DC-4	4-12.4	12.4-18			GHz
VSWR, Max	1.15:1	1.20:1	1.25:1			

Mechanical Specifications

Size

Length	1 in [25.4 mm]
Width	0.77 in [19.56 mm]
Weight	0.026 lbs [11.79 g]

Configuration

Connector	SMA Male
Hex Size	5/16 inch



Features:

- DC to 18 GHz Frequency Range
- VSWR 1.25:1 Max
- Max Power 5 Watts (CW)
- SMA Male Coaxial Interface

Applications:

- Wireless
- SatCom
- Radar Systems
- Test and Measurement
- Commercial and Military Communication

Fairview Microwave
 301 Leora Ln., Suite 100
 Lewisville, TX 75056
 Tel: 1-800-715-4396 / (972) 649-6678
 Fax: (972) 649-6689
www.fairviewmicrowave.com
sales@fairviewmicrowave.com

Material Specifications

Description	Material	Plating
Connector 1 Contact	Beryllium Copper	Gold MIL-G-45204
Insulation	PTFE	
Body	Passivated Stainless Steel	
Coupling Nut	Passivated Stainless Steel	
Housing	Black Anodized Aluminum Heatsink	

Environmental Specifications

Temperature

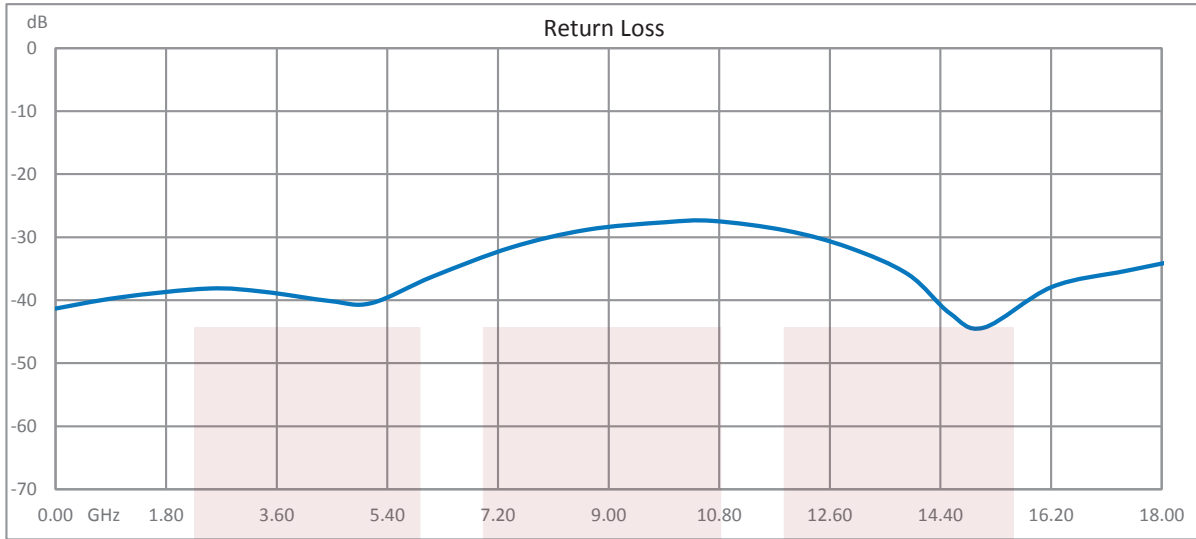
Operating Range -55 to +125 deg C

Compliance Certifications (see [product page](#) for current document)

Plotted and Other Data

Notes:

Typical Performance Data



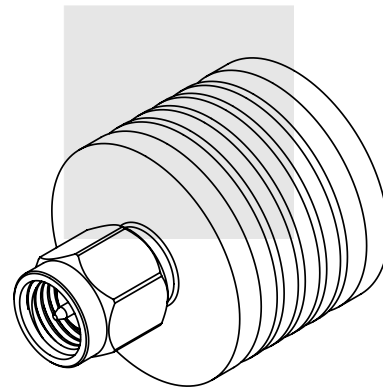
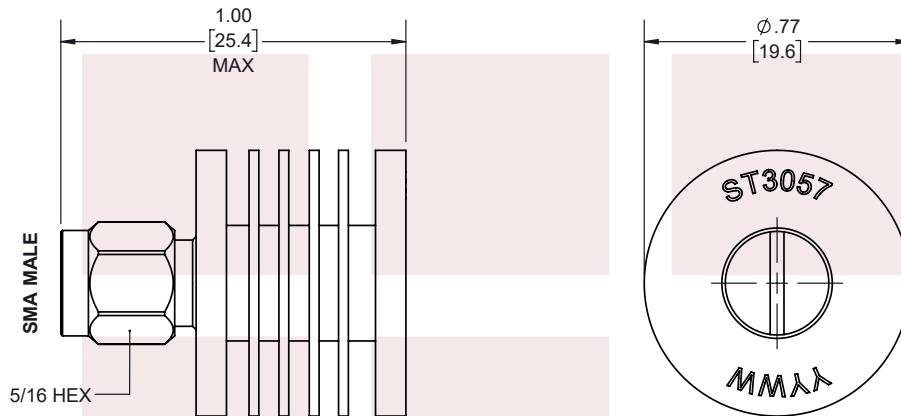
SMA Male (Plug) Termination (Load) 5 Watts To 18 GHz, Black Anodized Aluminum Heatsink, 1.25 VSWR, 500 Watts Peak Power from Fairview Microwave is in-stock and available to ship same-day. All of our RF/microwave products are available off-the-shelf from our ISO 9001:2008 certified facilities in Lewisville, Texas. Fairview Microwave is RF on-demand.

For additional information on this product, please click the following link: [SMA Male \(Plug\) Termination \(Load\) 5 Watts To 18 GHz, Black Anodized Aluminum Heatsink, 1.25 VSWR, 500 Watts Peak Power ST3057](https://www.fairviewmicrowave.com/rf-load-5-watts-18-ghz-sma-male-st3057-p.aspx)

URL: <https://www.fairviewmicrowave.com/rf-load-5-watts-18-ghz-sma-male-st3057-p.aspx>

The information contained in this document is accurate to the best of our knowledge and representative of the part described herein. It may be necessary to make modifications to the part and/or the documentation of the part, in order to implement improvements. Fairview Microwave reserves the right to make such changes as required. Unless otherwise stated, all specifications are nominal. Fairview Microwave does not make any representation or warranty regarding the suitability of the part described herein for any particular purpose, and Fairview Microwave does not assume any liability arising out of the use of any part or documentation.

REVISIONS			
REV.	DESCRIPTION	DATE	APPROVED
A	PCR ST3057	12/4/2020	S.PONG



THESE COMMODITIES, TECHNOLOGY OR SOFTWARE WERE EXPORTED FROM THE UNITED STATES IN ACCORDANCE WITH THE EXPORT ADMINISTRATION REGULATIONS. DIVERSION CONTRARY TO U.S. LAW PROHIBITED.

TITLE
SMA Male (Plug) Termination (Load) 5 Watts To 18 GHz, Black Anodized Aluminum Heatsink, 1.25 VSWR, 500 Watts Peak Power

UNLESS OTHERWISE SPECIFIED LEADING DIMENSIONS ARE INCHES
DIMENSIONS IN [] ARE MILLIMETERS

TOLERANCES:		CABLE LENGTH (L) TOLERANCES:	
.X = ±.2 [5.08]	FRACTIONS ± 1/32	L ≤ 12 [305] = +1 [25] / -0	
.XX = ±.02 [.51]		12 [305] < L ≤ 60 [1524] = +2 [51] / -0	
.XXX = ±.005 [.13]	ANGLES ± 1°	60 [1524] < L ≤ 120 [3048] = +4 [102] / -0	
		120 [3048] < L ≤ 300 [7620] = +6 [152] / -0	
		300 [7620] < L = +5%L / -0	

THIRD-ANGLE PROJECTION

THE INFORMATION AND DESIGN IN THIS DOCUMENT IS THE PROPERTY OF FAIRVIEW MICROWAVE CORPORATION. ALL RIGHTS RESERVED.

SHEET 1 OF 1

ALL DIMENSIONS SHOWN ARE FOR REFERENCE ONLY.

SCALE N/A

SIZE A	CAGE CODE 3FKR5	DRAWN BY K.DANG	ITEM NO. ST3057	REV A
-----------	--------------------	--------------------	--------------------	----------

T-Rev.D