

# TERMINATION 40 GHZ 2.92-MALE 2 WATTS WITH CHAIN

ST4019C

## SPECIFICATIONS

### ELECTRICAL:

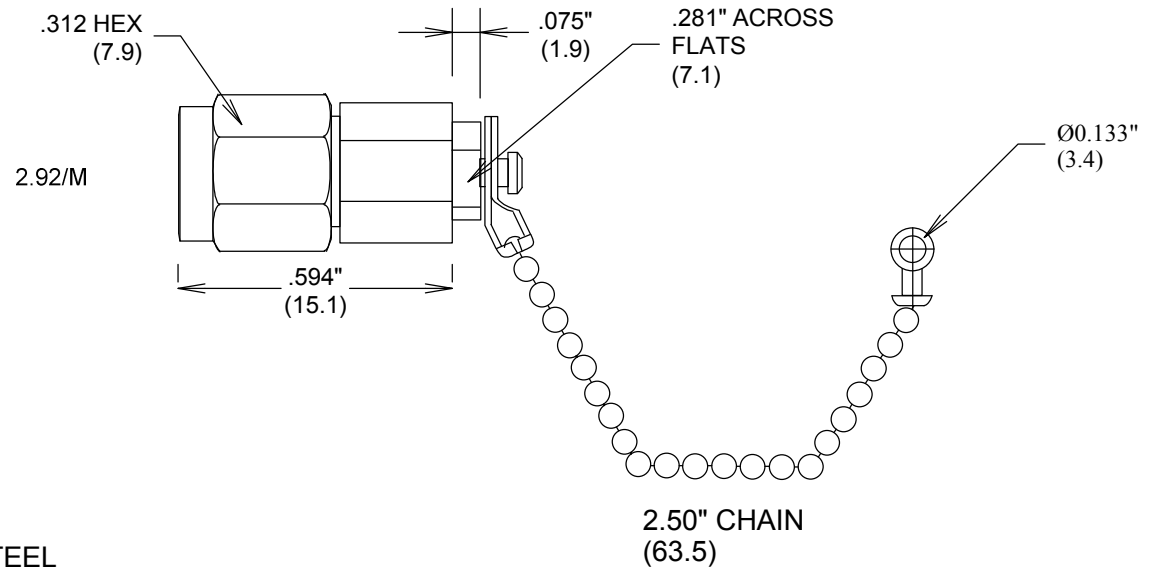
FREQUENCY: 0-40 GHZ  
 VSWR @ 40GHZ: 1.25:1 MAX  
 POWER (AVG) 2 WATT  
 DERATES LINEARLY TO 10% @ +125°C  
 IMPEDANCE: 50 OHMS  
 OP. TEMP RANGE: -55°C to+125°C

### MECHANICAL:

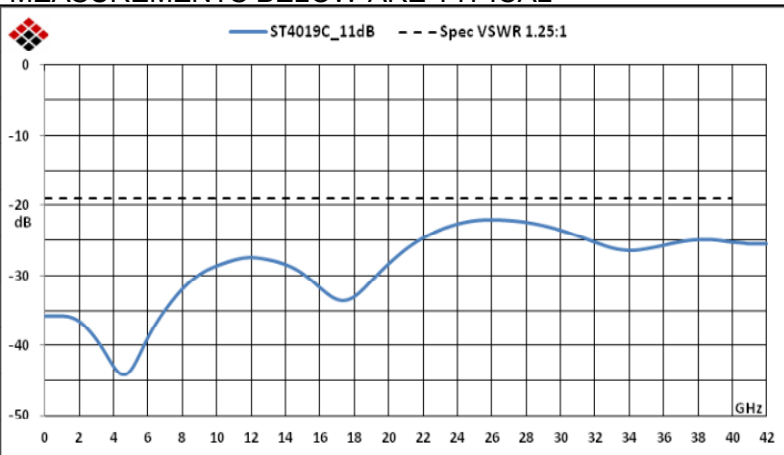
MATERIAL BODY: PASSIVATED STAINLESS STEEL  
 CENTER CONTACT: BeCu  
 CONTACT PLATING: Au PER MIL-G-45204

INTERFACE: MIL-STD-348

ROHS COMPLIANT



MEASUREMENTS BELOW ARE TYPICAL



ALL DIMENSIONS IN inches(MM) Typical

<b>FAIRVIEW MICROWAVE INC.</b>			
ALLEN, TX 75013 WWW.FAIRVIEWMICROWAVE.COM			
TITLE			
<b>TERMINATION 40 GHZ 2.92-MALE 2 WATTS WITH CHAIN</b>			
SIZE	CAGE CODE	DWG NO	REV
<b>A</b>	<b>3FKR5</b>	<b>ST4019C</b>	<b>A</b>
SCALE		SHEET	