

4.3-10 Male Connector Crimp/Solder Attachment for LMR-400 Cable

Times Microwave Systems Connector Specification

Times Microwave's 4.3-10 male connector with crimp/solder contact attachment for LMR-400, part number TC-400-4310M-X, from Fairview Microwave is in-stock and ships same day. This 4.3-10 male connector operates up to a maximum frequency of 6 GHz and offers good VSWR of 1.25:1.

The Times Microwave 4.3-10 male connector TC-400-4310M-X datasheet specifications and outline drawing are shown in this PDF below. Our extensive offering of RF, microwave and millimeter wave connectors allows designers to configure and customize their signal connections however they like. From providing an I/O for a board design to creating a custom cable assembly configuration, Fairview Microwave has a connector solution to meet your needs. Fairview Microwave also has the expertise to build your custom cable assemblies for you and ship them same-day.

Electrical Specifications

| Description | Min | Typ | Max | Units |
|-----------------------|--------|-----|--------|-------|
| Frequency Range | DC | | 6 | GHz |
| VSWR | | | 1.25:1 | |
| Insulation Resistance | 10,000 | | | MOhms |

Electrical Specification Notes:
Insertion Loss = $0.1 \times \text{SQRT}(\text{FGHz})$

Mechanical Specifications

| | |
|---------------|---------------------|
| Weight | 0.096 lbs [43.54 g] |
| Mating Cycles | 500 Cycles |

Material Specifications

| Description | Material | Plating |
|--------------|----------|-----------|
| Contact | Brass | Silver |
| Insulation | PTFE | |
| Body | Brass | Tri-Metal |
| Coupling Nut | Brass | Tri-Metal |
| Gasket | Silicone | |
| Crimp Sleeve | Brass | Tri-Metal |

Environmental Specifications

| | |
|--------------------|----------------------------------|
| Temperature | |
| Operating Range | -55 to +125 deg C |
| Shock | MIL-STD 202G, Meth. 204, Cond. B |
| Vibration | MIL-STD 202G, Meth. 213, Cond. I |



Configuration:

- 4.3-10 Male Connector
- 50 Ohms
- Straight Body Geometry
- LMR-400 Interface Type
- Crimp/Solder Attachment

Features:

- Operating Frequency of 6 GHz Max.
- Excellent VSWR of 1.25:1
- Silver Plated Brass Contact

Applications:

- General Purpose Test
- Custom Cable Assemblies
- Mobile Communications Systems
- Base Stations
- Distributed Antenna Systems (DAS)
- Small Cells
- Feeder Cables

Fairview Microwave
301 Leora Ln., Suite 100
Lewisville, TX 75056
Tel: 1-800-715-4396 / (972) 649-6678
Fax: (972) 649-6689
www.fairviewmicrowave.com
sales@fairviewmicrowave.com

Thermal Shock

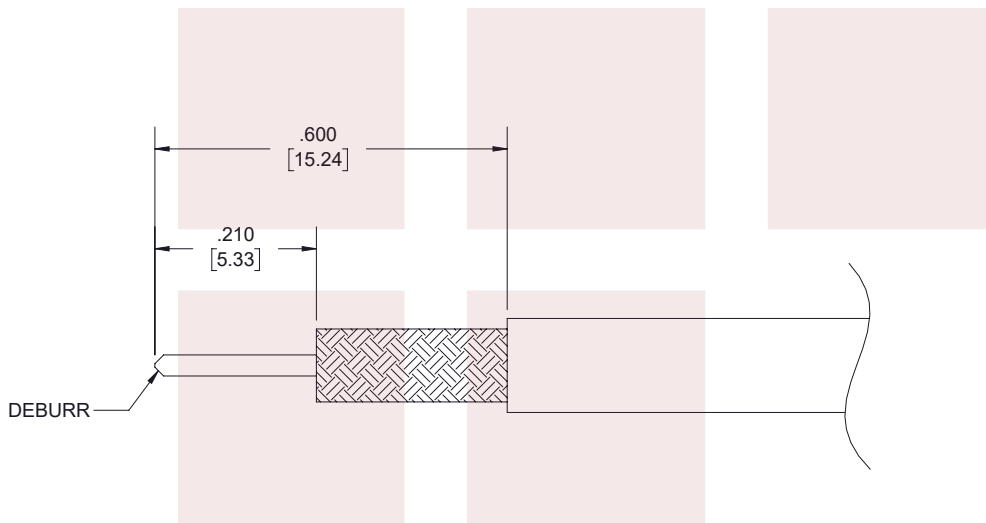
MIL-STD 202G, Meth. 107, Cond. B

Compliance Certifications (see [product page](#) for current document)

Plotted and Other Data

Notes:

Assembly Instruction



ASSEMBLY PROCEDURES

1. STRIP CABLE TO THE DIMENSIONS SHOWN, CHAMFER CENTER CONDUCTOR AND DEBURR CABLE.
2. SLIDE FERRULE OVER CABLE AND INSULATOR OVER CABLE CENTER CONDUCTOR. INSERT CENTER CONTACT AND SOLDER.
3. PUSH THE CONNECTOR BODY INTO THE CABLE UNTIL IT STOPS. SLIDE FERRULE FORWARD AND AGAINST SHOULDER OF CONNECTOR AND CRIMP.

CRIMP SIZE REQUIRED

- FERRULE: .429" [10.90] HEX CRIMP TOOL

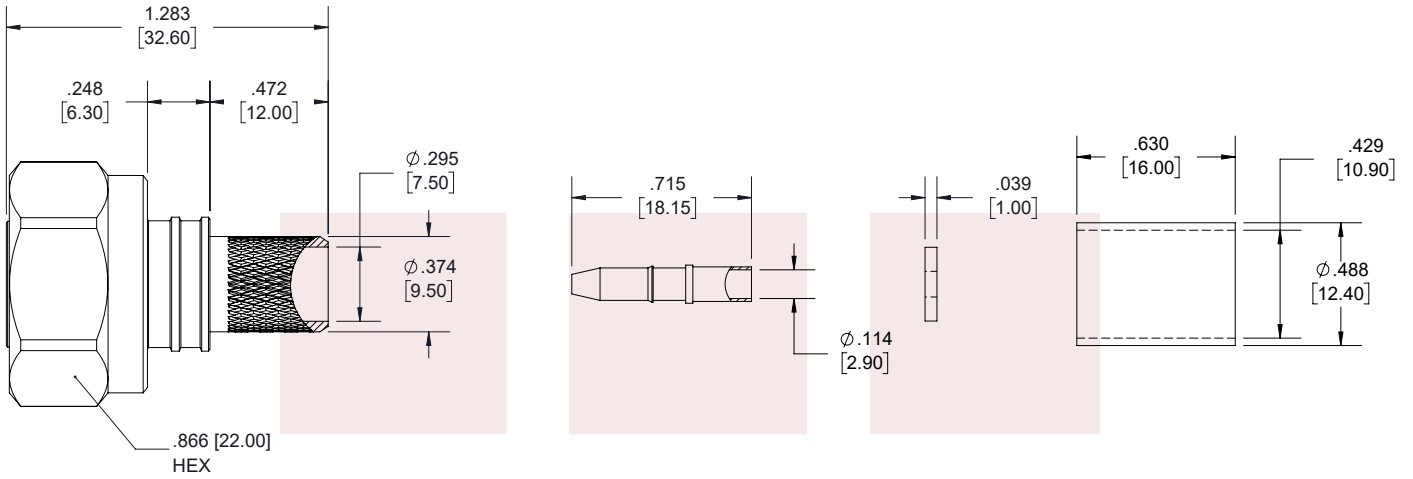
4.3-10 Male Connector Crimp/Solder Attachment for LMR-400 Cable from Fairview Microwave is in-stock and available to ship same-day. All of our RF/microwave products are available off-the-shelf from our ISO 9001:2008 certified facilities in Allen, Texas. Fairview Microwave is RF on-demand.

For additional information on this product, please click the following link: [4.3-10 Male Connector Crimp/Solder Attachment for LMR-400 Cable TC-400-4310M-X](#)

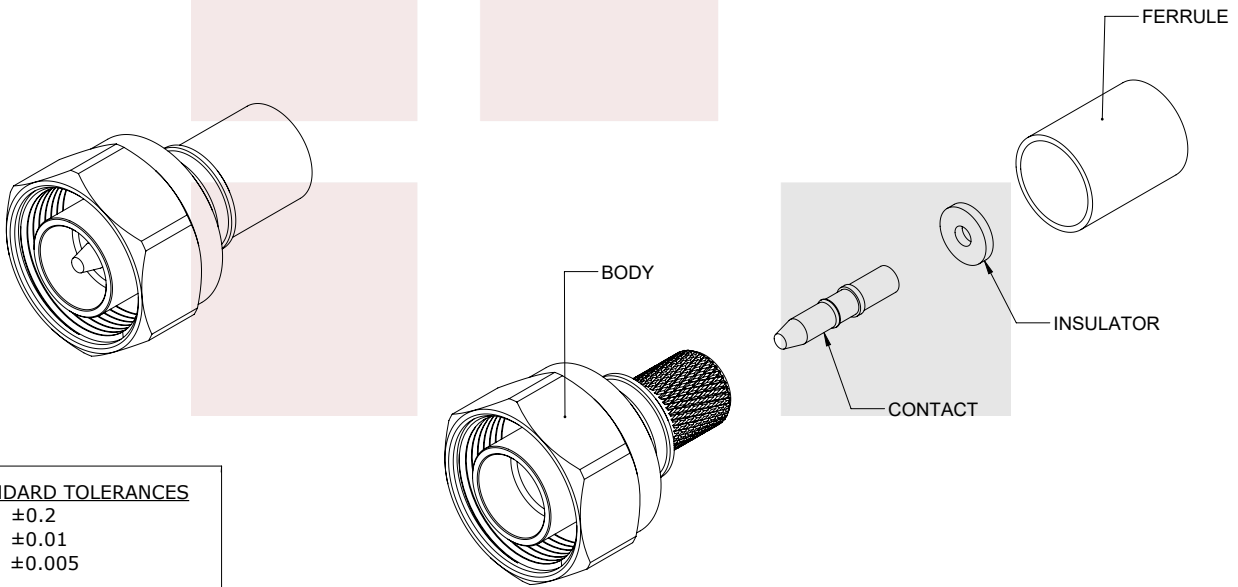
URL: <https://www.fairviewmicrowave.com/4.3-10-male-lmr-400-connector-tc-400-4310m-x-p.aspx>

The information contained in this document is accurate to the best of our knowledge and representative of the part described herein. It may be necessary to make modifications to the part and/or the documentation of the part, in order to implement improvements. Fairview Microwave reserves the right to make such changes as required. Unless otherwise stated, all specifications are nominal. Fairview Microwave does not make any representation or warranty regarding the suitability of the part described herein for any particular purpose, and Fairview Microwave does not assume any liability arising out of the use of any part or documentation.





4.3-10 MALE



| STANDARD TOLERANCES | |
|---------------------|--------|
| .X | ±0.2 |
| .XX | ±0.01 |
| .XXX | ±0.005 |

*STANDARD TOLERANCES APPLY ONLY TO DIMENSIONS IN INCHES

| | | | |
|---|----------|---|-----------|
| | | NOTES: 1. UNLESS OTHERWISE SPECIFIED ALL DIMENSIONS ARE NOMINAL. 2. ALL SPECIFICATIONS ARE SUBJECT TO CHANGE WITHOUT NOTICE AT ANY TIME. 3. DIMENSIONS ARE IN INCHES [mm]. | |
| TITLE | | DWG NO | CAGE CODE |
| 4.3-10 Male Connector Crimp/Solder Attachment for LMR-400 Cable | | TC-400-4310M-X | 3FKR5 |
| CAD FILE | 04/18/18 | SHEET | 1 OF 1 |
| SCALE | N/A | SIZE | A |
| | | 7361 | |