

4.3-10 Female Low PIM Connector Solder Attachment for TFT-5G-402



TC-402-4310F-LP



Times Microwave Systems Connector Specification

Configuration

- 4.3-10 Female Connector
- 50 Ohms
- Straight Body Geometry
- Connector Interface Types: TFT-5G-402
- Low PIM Design

Features

- Operating Frequency of 6 GHz Max.
- Excellent VSWR of 1.25:1
- PIM levels better than -160 dBc
- Silver Plated Bronze Contact
- 200 µin contact plating

Applications

- General Purpose Test
- Wireless Communications
- Custom Cable Assemblies
- Low PIM Applications
- Distributed Antenna Systems (DAS)

Description

4.3-10 Female Low PIM Connector Solder/Solder Attachment for TFT-5G-402 Cable, part number TC-402-4310F-LP, from Fairview Microwave is in-stock and ships same day. This 4.3-10 female connector operates up to a maximum frequency of 6 GHz and offers excellent VSWR of 1.25:1. The 4.3-10 female connector also has low passive intermodulation (PIM) of -160 dBc.

Fairview's 4.3-10 female connector TC-402-4310F-LP datasheet specifications and outline drawing are shown in this PDF below. Our extensive offering of RF, microwave and millimeter wave connectors allows designers to configure and customize their signal connections however they like. From providing an I/O for a board design to creating a custom cable assembly configuration, Fairview Microwave has a connector solution to meet your needs. Fairview Microwave also has the expertise to build your custom cable assemblies for you and ship them same-day.

Electrical Specifications

| Description | Minimum | Typical | Maximum | Units |
|-------------------------|---------|---------|---------|-------|
| Frequency Range | DC | | 6 | GHz |
| VSWR | | | 1.25:1 | |
| Insertion Loss | | | 0.24 | dB |
| Passive Intermodulation | | | -160 | dBc |
| Operating Voltage (DC) | | | 2,500 | Vdc |
| Insulation Resistance | 5,000 | | | MOhms |
| Impedance | | 50 | | Ohms |

Performance by Frequency

| Description | F1 | F2 | F3 | F4 | F5 | Units |
|-----------------|---------|--------|----|----|----|-------|
| Frequency Range | DC to 3 | 3 to 6 | | | | GHz |
| VSWR, Max | 1.1:1 | 1.25:1 | | | | |

Electrical Specification Notes:
Insertion Loss is $0.1 \cdot \sqrt{FGHz}$

4.3-10 Female Low PIM Connector Solder Attachment for TFT-5G-402



TC-402-4310F-LP

Mechanical Specifications

Size

| | |
|-----------------------|---------------------|
| Length | 1.28 in [32.51 mm] |
| Width | 0.728 in [18.49 mm] |
| Height | 0.728 in [18.49 mm] |
| Weight | 0.03 lbs [13.61 g] |
| Mating Cycles | 500 Cycles |
| Cable Retention Force | 22 lbs [9.98 kg] |

Material Specifications

| Description | Material | Plating |
|-----------------|----------|---------------------|
| Contact | Bronze | Silver 200 µin |
| Insulation | PTFE | |
| Outer Conductor | Brass | Tri-Metal 80 µin |
| Body | Brass | Tri-Metal 80 µin |

Environmental Specifications

Temperature

| | |
|-----------------|----------------------------------|
| Operating Range | -55 to +85 deg C |
| Shock | MIL-STD 202G, Meth. 213, Cond. I |
| Vibration | MIL-STD 202G, Meth. 204, Cond. B |
| Thermal Shock | MIL-STD 202G, Meth. 107, Cond. B |

Environmental Specification Notes:
Climatic Class: IEC 60068 55/155/56

Compliance Certifications (see [product page](#) for current document)

Plotted and Other Data

Notes:

4.3-10 Female Low PIM Connector Solder Attachment for TFT-5G-402



TC-402-4310F-LP

4.3-10 Female Low PIM Connector Solder Attachment for TFT-5G-402 from Fairview Microwave is in-stock and available to ship same-day. All of our RF/microwave products are available off-the-shelf from our ISO 9001:2008 certified facilities in Lewisville, Texas. Fairview Microwave is RF on-demand.

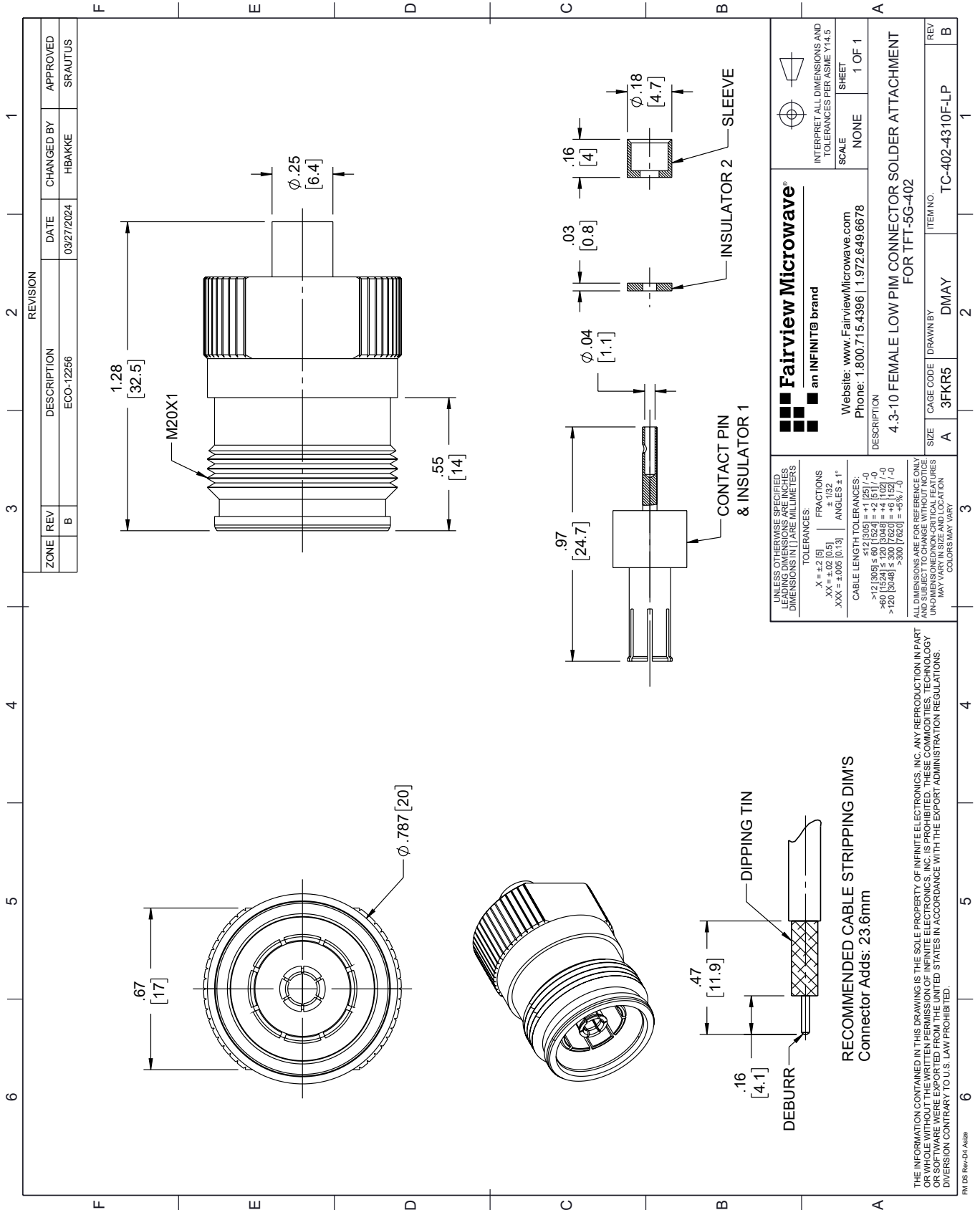
For additional information on this product, please click the following link: [4.3-10 Female Low PIM Connector Solder Attachment for TFT-5G-402 TC-402-4310F-LP](https://www.fairviewmicrowave.com/4.3-10-female-tft-402-connector-tc-402-4310f-lp-p.aspx)

URL: <https://www.fairviewmicrowave.com/4.3-10-female-tft-402-connector-tc-402-4310f-lp-p.aspx>

The information contained within this document is accurate to the best of our knowledge and representative of the part described herein. It may be necessary to make modifications to the part and/or the documentation of the part in order to implement improvements. Fairview Microwave reserves the right to make such changes as required. Unless otherwise stated, all specifications are nominal. Fairview Microwave does not make any representation or warranty regarding the suitability of the part described herein for any particular purpose, and Fairview Microwave does not assume liability arising out of the use of any part or document.

TC-402-4310F-LP CAD Drawing

4.3-10 Female Low PIM Connector Solder Attachment for TFT-5G-402



| REVISION | | DATE | CHANGED BY | APPROVED |
|----------|-----|-------------|------------|----------|
| ZONE | REV | DESCRIPTION | | |
| | B | ECO-12256 | HBAKKE | SRAUTUS |

Fairview Microwave®
an INFINITO brand

Website: www.FairviewMicrowave.com
Phone: 1.800.715.4396 | 1.972.649.6678

SCALE: NONE
SHEET: 1 OF 1

INTERPRET ALL DIMENSIONS AND TOLERANCES PER ASME Y14.5

DESCRIPTION: 4.3-10 FEMALE LOW PIM CONNECTOR SOLDER ATTACHMENT FOR TFT-5G-402

ITEM NO. TC-402-4310F-LP

SIZE: A
CAGE CODE: 3FKR5
DRAWN BY: DMAY

UNLESS OTHERWISE SPECIFIED, LEADING DIMENSIONS ARE IN INCHES. DIMENSIONS IN [] ARE MILLIMETERS.

TOLERANCES:
 .X = ±.2 [5]
 .XX = ±.02 [0.5]
 .XXX = ±.005 [0.13]
 FRACTIONS: ±.1/32
 ANGLES: ±1°

CABLE LENGTH TOLERANCES:
 <12 [305] ≤ 60 [1524] = ±.1 [25] / -0
 >60 [1524] ≤ 120 [3048] = ±.4 [102] / -0
 >120 [3048] ≤ 300 [7620] = ±.8 [20] / -0
 >300 [7620] = ±.8 [20] / -0

ALL DIMENSIONS ARE FOR REFERENCE ONLY. UNDIMENSIONED/NON-CRITICAL FEATURES MAY VARY IN SIZE AND LOCATION. COLORS MAY VARY.

THE INFORMATION CONTAINED IN THIS DRAWING IS THE SOLE PROPERTY OF INFINITE ELECTRONICS, INC. ANY REPRODUCTION IN PART OR WHOLE WITHOUT THE WRITTEN PERMISSION OF INFINITE ELECTRONICS, INC. IS PROHIBITED. THESE COMMODITIES, TECHNOLOGY OR SOFTWARE WERE EXPORTED FROM THE UNITED STATES IN ACCORDANCE WITH THE EXPORT ADMINISTRATION REGULATIONS. DIVISION CONTRARY TO U.S. LAW PROHIBITED.

PM DS Rev-D4 Alt2b