

## 7/16 DIN Male Low PIM Connector Solder Attachment for TFT-402 Cable

### Times Microwave Systems Connector Specification

7/16 DIN male connector with solder/solder attachment for TFT-402, part number TC-402-716M-LP, from Fairview Microwave is in-stock and ships same day. This 7/16 DIN male connector operates up to a maximum frequency of 6 GHz and offers excellent VSWR of 1.25:1. The 7/16 DIN male connector also has low passive intermodulation (PIM) of -160 dBc. Our TC-402-716M-LP connector has an IP67 rating to protect against dust and temporary moisture protection under immersion conditions.

Fairview's 7/16 DIN male connector TC-402-716M-LP datasheet specifications and outline drawing are shown in this PDF below. Our extensive offering of RF, microwave and millimeter wave connectors allows designers to configure and customize their signal connections however they like. From providing an I/O for a board design to creating a custom cable assembly configuration, Fairview Microwave has a connector solution to meet your needs. Fairview Microwave also has the expertise to build your custom cable assemblies for you and ship them same-day.

### Electrical Specifications

Description	Min	Typ	Max	Units
Frequency Range	DC		6	GHz
VSWR			1.25:1	
Insertion Loss			0.1	dB
Passive Intermodulation			-160	dBc
Operating Voltage (DC)			1,000	Vdc
Inner Cond. DC Resistance			0.4	mOhms
Outer Cond. DC Resistance			1.5	mOhms
Insulation Resistance	5,000			MOhms

Electrical Specification Notes:  
 Insertion Loss is  $0.1 * \sqrt{f(\text{GHz})}$

### Mechanical Specifications

<b>Size</b>	
Length	1.141 in [28.98 mm]
Width/Dia.	1.25 in [31.75 mm]
Mating Torque	265 in-lbs [29.95 Nm]

### Material Specifications

Description	Material	Plating
Contact	Brass	Silver 5 $\mu$ m
Insulation	PTFE	
Body	Brass	Copper Clad Aluminum 3 $\mu$ m

### Configuration:

- 7/16 DIN Male Connector
- 50 Ohms
- Straight Body Geometry
- TFT-402 Interface Type
- Solder/Solder Attachment
- Low PIM Design

### Features:

- Operating Frequency of 6 GHz Max.
- Excellent VSWR of 1.25:1
- PIM levels better than -160 dBc
- Silver Plated Brass Contact
- 5  $\mu$ m contact plating
- IP 67 Rated

### Applications:

- General Purpose Test
- Wireless Communications
- Custom Cable Assemblies
- Low PIM Applications
- Distributed Antenna Systems (DAS)

Fairview Microwave  
 301 Leora Ln., Suite 100  
 Lewisville, TX 75056  
 Tel: 1-800-715-4396 / (972) 649-6678  
 Fax: (972) 649-6689  
[www.fairviewmicrowave.com](http://www.fairviewmicrowave.com)  
[sales@fairviewmicrowave.com](mailto:sales@fairviewmicrowave.com)

Coupling Nut	Brass	Copper Clad Aluminum 3 μm
Gasket	Silicone Rubber	

**Environmental Specifications**

<b>Temperature</b>	
Operating Range	-55 to +155 deg C
Ingress Protection (IP) Rating	IP 67 Rated
Shock	US MIL-STD 202, Meth. 213, Cond. I
Vibration	US MIL-STD 202, Meth. 204, Cond. B
Thermal Shock	US MIL-STD 202, Meth. 107, Cond. B

Environmental Specification Notes:  
Weather Standard: TEC 60068 55/155/56

**Compliance Certifications** (see [product page](#) for current document)

**Plotted and Other Data**

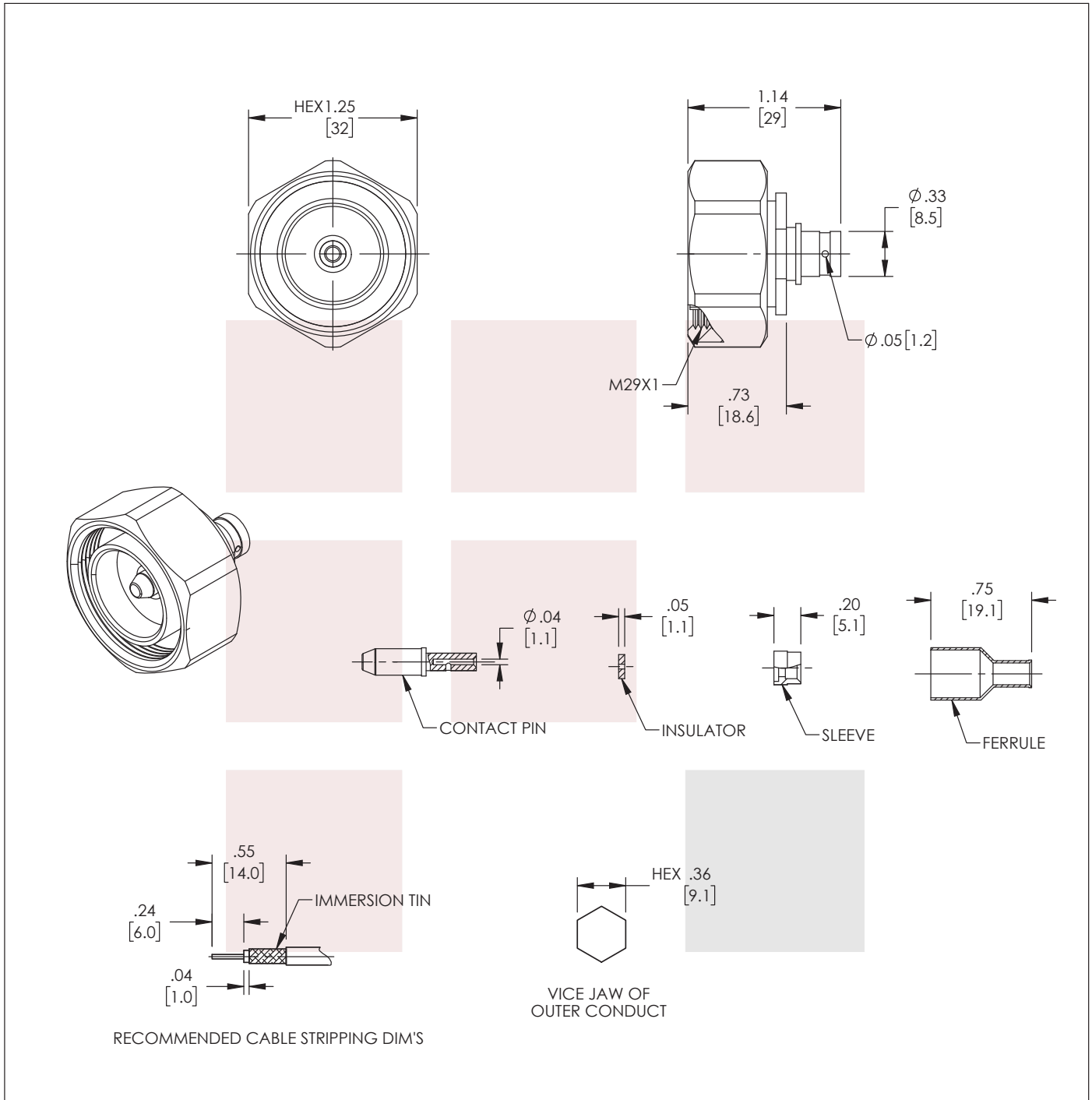
Notes:

7/16 DIN Male Low PIM Connector Solder Attachment for TFT-402 Cable from Fairview Microwave is in-stock and available to ship same-day. All of our RF/microwave products are available off-the-shelf from our ISO 9001:2008 certified facilities in Lewisville, Texas. Fairview Microwave is RF on-demand.

For additional information on this product, please click the following link: [7/16 DIN Male Low PIM Connector Solder Attachment for TFT-402 Cable TC-402-716M-LP](#)

URL: <https://www.fairviewmicrowave.com/7-16-din-male-tft-402-connector-tc-402-716m-lp-p.aspx>

The information contained in this document is accurate to the best of our knowledge and representative of the part described herein. It may be necessary to make modifications to the part and/or the documentation of the part, in order to implement improvements. Fairview Microwave reserves the right to make such changes as required. Unless otherwise stated, all specifications are nominal. Fairview Microwave does not make any representation or warranty regarding the suitability of the part described herein for any particular purpose, and Fairview Microwave does not assume any liability arising out of the use of any part or documentation.



THESE COMMODITIES, TECHNOLOGY OR SOFTWARE WERE EXPORTED FROM THE UNITED STATES IN ACCORDANCE WITH THE EXPORT ADMINISTRATION REGULATIONS. DIVERSION CONTRARY TO U.S. LAW PROHIBITED.

<p><b>Fairview Microwave</b> an INFINIT<sup>®</sup> brand</p>	UNLESS OTHERWISE SPECIFIED LEADING DIMENSIONS ARE INCHES DIMENSIONS IN [ ] ARE MILLIMETERS		THIRD-ANGLE PROJECTION 	
	TOLERANCES:		CABLE LENGTH (L) TOLERANCES:	
TITLE <b>7/16 DIN Male Low PIM Connector Solder Attachment for TFT-402 Cable</b>	.X = ±.2 [5.08]	FRACTIONS ± 1/32	L ≤ 12 [305] = +1 [25] / -0	THE INFORMATION AND DESIGN IN THIS DOCUMENT IS THE PROPERTY OF FAIRVIEW MICROWAVE CORPORATION. ALL RIGHTS RESERVED. SHEET 1 OF 1
	.XX = ±.02 [.51]	ANGLES ± 1°	12 [305] < L ≤ 60 [1524] = +2 [51] / -0 60 [1524] < L ≤ 120 [3048] = +4 [102] / -0 120 [3048] < L ≤ 300 [7620] = +6 [152] / -0 300 [7620] < L = +5%L / -0	
ALL DIMENSIONS SHOWN ARE FOR REFERENCE ONLY.				
SIZE <b>A</b>	CAGE CODE <b>3FKR5</b>	DRAWN BY <b>DMAY</b>	ITEM NO. <b>TC-402-716M-LP</b>	SCALE <b>1:1</b>
				REV <b>A</b>

T-Rev.D