

N Male Connector Crimp/Solder Attachment for LMR-600 Cable

Times Microwave Systems Connector Specification

Type N male connector with crimp/solder attachment for LMR-600, part number TC-600-NMH-X, from Fairview Microwave is in-stock and ships same day. This type N male connector operates up to a maximum frequency of 6 GHz and offers excellent VSWR of 1.25:1.

Fairview's type N male connector TC-600-NMH-X datasheet specifications and outline drawing are shown in this PDF below. Our extensive offering of RF, microwave and millimeter wave connectors allows designers to configure and customize their signal connections however they like. From providing an I/O for a board design to creating a custom cable assembly configuration, Fairview Microwave has a connector solution to meet your needs. Fairview Microwave also has the expertise to build your custom cable assemblies for you and ship them same-day.

Electrical Specifications

Description	Min	Typ	Max	Units
Frequency Range	DC		6	GHz
VSWR			1.25:1	
DWV (AC)			2,500	Vrms
Insulation Resistance	5,000			MOhms

Performance by Frequency

Description	F1	F2	F3	F4	F5	Units
Freq. Range	DC to 3					GHz
Insertion Loss, Max	0.1					dB

Mechanical Specifications

Size	
Length	1.82 in [46.23 mm]
Width/Dia.	0.801 in [20.35 mm]
Weight	0.102 lbs [46.27 g]
Mating Torque	44 in-lbs [4.97 Nm]

Material Specifications

Description	Material	Plating
Contact	Brass	Gold 50µ in. minimum
Insulation	PTFE	
Body	Brass	Tri-Metal 100µ in. minimum
Coupling Nut	Brass	Tri-Metal 100µ in. minimum



Configuration:

- N Male Connector
- 50 Ohms
- Straight Body Geometry
- LMR-600 Interface Type
- Crimp/Solder Attachment
- 20.57 mm Hex

Features:

- Operating Frequency of 6 GHz Max.
- Excellent VSWR of 1.25:1
- Gold Plated Brass Contact
- 50µ in. minimum contact plating

Applications:

- General Purpose Test
- Custom Cable Assemblies

Fairview Microwave
 301 Leora Ln., Suite 100
 Lewisville, TX 75056
 Tel: 1-800-715-4396 / (972) 649-6678
 Fax: (972) 649-6689
www.fairviewmicrowave.com
sales@fairviewmicrowave.com

Environmental Specifications

Temperature

Operating Range	-55 to +155 deg C
Shock	MIL-STD 202, Method 213, Condition I
Vibration	MIL-STD 202, Method 204, Condition B

Compliance Certifications (see [product page](#) for current document)

Plotted and Other Data

Notes:

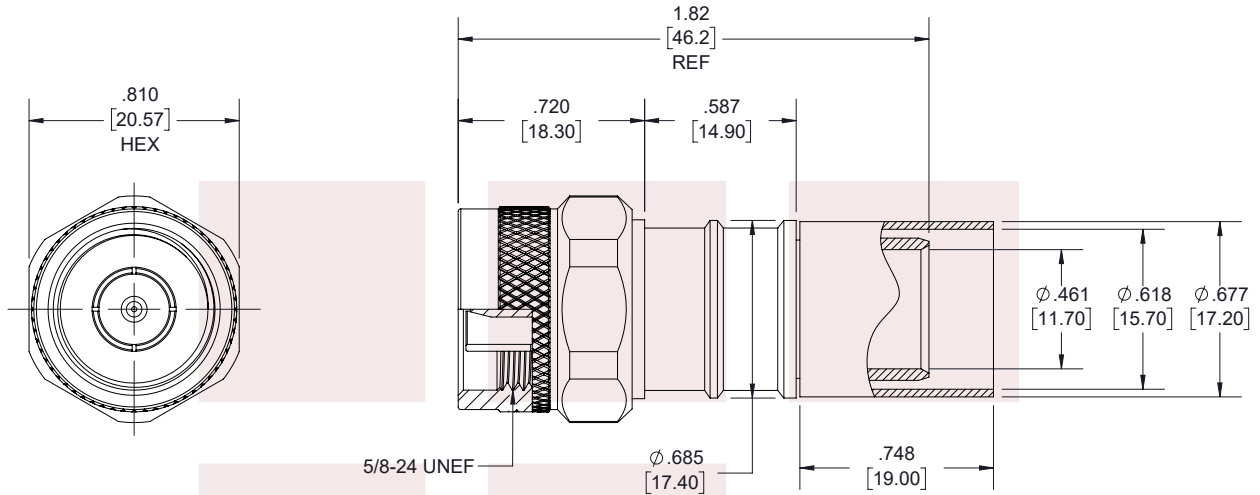
N Male Connector Crimp/Solder Attachment for LMR-600 Cable from Fairview Microwave is in-stock and available to ship same-day. All of our RF/microwave products are available off-the-shelf from our ISO 9001:2008 certified facilities in Lewisville, Texas. Fairview Microwave is RF on-demand.

For additional information on this product, please click the following link: [N Male Connector Crimp/Solder Attachment for LMR-600 Cable TC-600-NMH-X](#)

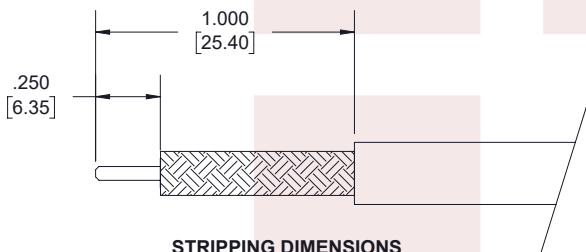
URL: <https://www.fairviewmicrowave.com/n-male-lmr-600-connector-tc-600-nmh-x-p.aspx>

The information contained in this document is accurate to the best of our knowledge and representative of the part described herein. It may be necessary to make modifications to the part and/or the documentation of the part, in order to implement improvements. Fairview Microwave reserves the right to make such changes as required. Unless otherwise stated, all specifications are nominal. Fairview Microwave does not make any representation or warranty regarding the suitability of the part described herein for any particular purpose, and Fairview Microwave does not assume any liability arising out of the use of any part or documentation.

REVISIONS			
REV.	DESCRIPTION	DATE	APPROVED
A	INITIAL RELEASE	1/7/2020	S.ELLIS

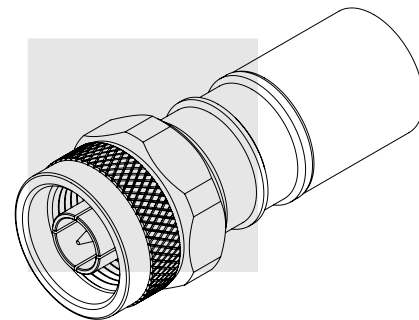


STRIPPING DIMENSIONS



NOTES:

- CABLE ATTACHMENT:
 - OUTER: CRIMP.
 - INNER: SOLDER.
- CRIMP SIZE REQUIRED:
 - FERRULE: .618 [15.70] HEX. CRIMP TOOL.
 - CONTACT: SOLDER.



THESE COMMODITIES, TECHNOLOGY OR SOFTWARE WERE EXPORTED FROM THE UNITED STATES IN ACCORDANCE WITH THE EXPORT ADMINISTRATION REGULATIONS. DIVERSION CONTRARY TO U.S. LAW PROHIBITED.

TITLE
N Male Connector Crimp/Solder Attachment for LMR-600 Cable

UNLESS OTHERWISE SPECIFIED LEADING DIMENSIONS ARE INCHES
DIMENSIONS IN [] ARE MILLIMETERS

TOLERANCES:		CABLE LENGTH (L) TOLERANCES:	
.X = ±.2 [5.08]	FRACTIONS ± 1/32	L ≤ 12 [305] = +1 [25] / -0	
.XX = ±.02 [.51]	ANGLES ± 1°	12 [305] < L ≤ 60 [1524] = +2 [51] / -0	
.XXX = ±.005 [.13]		60 [1524] < L ≤ 120 [3048] = +4 [102] / -0	
		120 [3048] < L ≤ 300 [7620] = +6 [152] / -0	
		300 [7620] < L = +5%L / -0	

THIRD-ANGLE PROJECTION



THE INFORMATION AND DESIGN IN THIS DOCUMENT IS THE PROPERTY OF FAIRVIEW MICROWAVE CORPORATION. ALL RIGHTS RESERVED.

SHEET 1 OF 1

ALL DIMENSIONS SHOWN ARE FOR REFERENCE ONLY.

SCALE N/A

SIZE A	CAGE CODE 3FKR5	DRAWN BY K.DANG	ITEM NO. TC-600-NMH-X	REV A
-----------	--------------------	--------------------	--------------------------	----------

T-Rev.D