

Rubber Duck Portable Antenna Operates From 900 MHz to 960 MHz With a Nominal 3 dBi Gain N Male Input Connector

Rubber duck portable antenna FM51055 from Fairview Microwave (also known as a rubber ducky antenna) is part of our extensive in-stock omni-directional radio antenna selection. This single band rubber duck portable antenna has a frequency range of 900 MHz to 960 MHz and a 3 nominal dBi gain. Our portable rubber duck antenna uses N male connector and is rated for 0 Watts input. FM51055 rubber duck portable radio antenna is one of over 40,000 RF, microwave and millimeter wave components supplied from Fairview Microwave. Our portable rubber duck aerial can be bought and shipped worldwide the same-day as with our other available RF parts.

Configuration

Design: Portable
Polarization: Vertical
Connector Type: N Male

Electrical Specifications

Description	Min	Typ	Max	Units
Frequency Range	900		960	MHz
Input VSWR			2.1:1	
Impedance		50		Ohms
Gain	3			dBi
Peak Input Power			40	Watts

Mechanical Specifications

Size:
Length: 7.71 in [195.83 mm]
Width: 0.82 in [20.83 mm]
Height: 0 in [0 mm]
Weight: 0.054 lbs [24.49 g]

Environmental Specifications

Compliance Certifications (see [product page](#) for current document)

Plotted and Other Data

Notes:



Features:

- Vertical Polarized
- 900-960 MHz Rubberduck Portable Antenna
- 3 dBi gain
- Type N Female Connector

Applications:

- RFID
- 900 MHz ISM Band
- LoRA, LPWAN

Fairview Microwave
301 Leora Ln., Suite 100
Lewisville, TX 75056
Tel: 1-800-715-4396 / (972) 649-6678
Fax: (972) 649-6689
www.fairviewmicrowave.com
sales@fairviewmicrowave.com

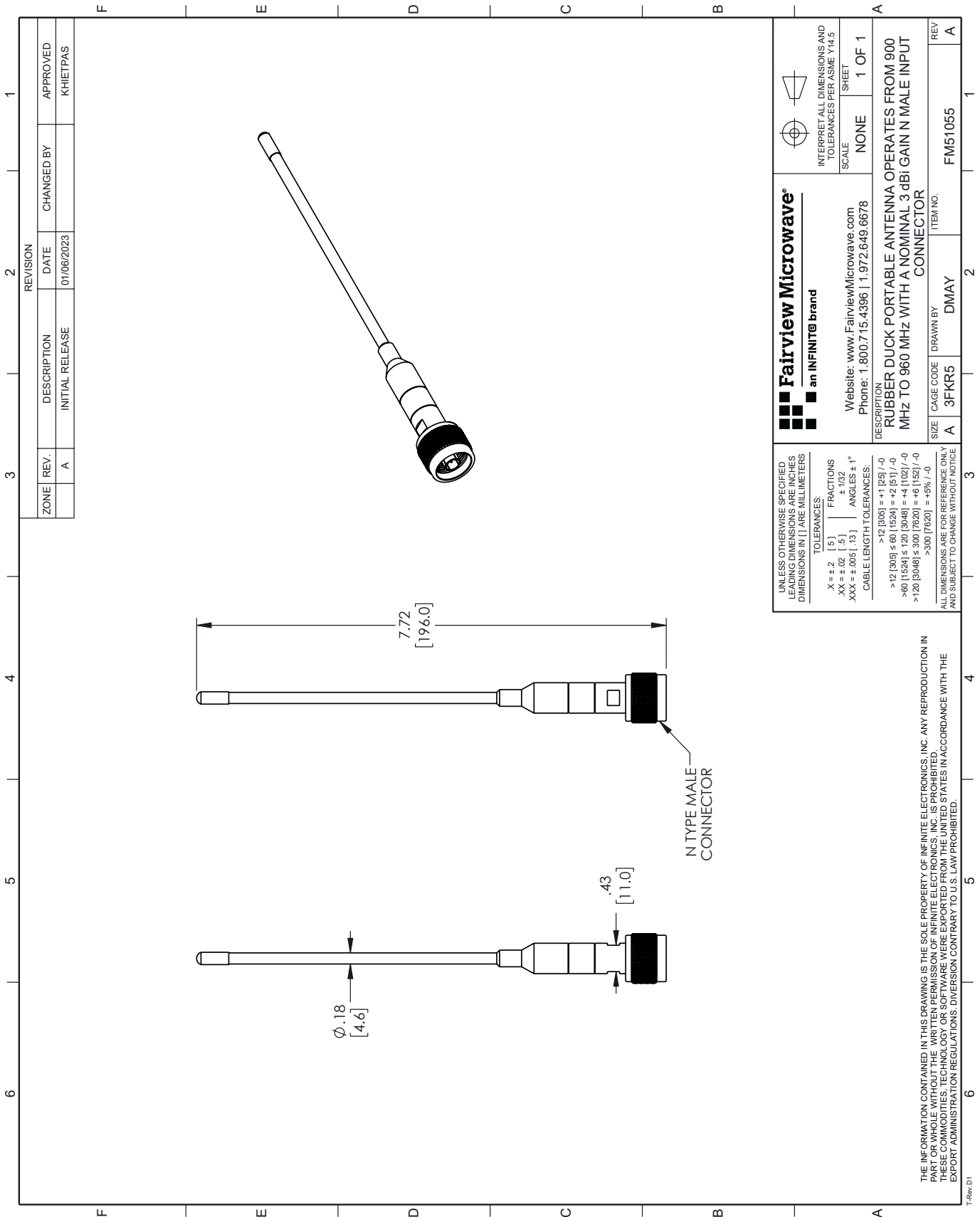
Rubber Duck Portable Antenna Operates From 900 MHz to 960 MHz With a Nominal 3 dBi Gain N Male Input Connector from Fairview Microwave is in-stock and available to ship same-day. All of our RF/microwave products are available off-the-shelf from our ISO 9001:2008 certified facilities in Lewisville, Texas. Fairview Microwave is RF on-demand.

For additional information on this product, please click the following link: [Rubber Duck Portable Antenna Operates From 900 MHz to 960 MHz With a Nominal 3 dBi Gain N Male Input Connector FM51055](#)

URL: <https://www.fairviewmicrowave.com/dbi-rubber-duck-portable-antenna-900-960-mhz-n-type-connector-fm51055-p.aspx>

The information contained in this document is accurate to the best of our knowledge and representative of the part described herein. It may be necessary to make modifications to the part and/or the documentation of the part, in order to implement improvements. Fairview Microwave reserves the right to make such changes as required. Unless otherwise stated, all specifications are nominal. Fairview Microwave does not make any representation or warranty regarding the suitability of the part described herein for any particular purpose, and Fairview Microwave does not assume any liability arising out of the use of any part or documentation.





REVISION		DATE	CHANGED BY	APPROVED
ZONE	REV.	DESCRIPTION	INITIAL RELEASE	
	A		01/06/2023	KHIETPAS

Fairview Microwave an INFINIT [®] brand		INTERPRET ALL DIMENSIONS AND TOLERANCES PER ASME Y14.5 SCALE: NONE SHEET: 1 OF 1	
Website: www.FairviewMicrowave.com Phone: 1.800.715.4396 1.972.649.6678		DESCRIPTION: RUBBER DUCK PORTABLE ANTENNA OPERATES FROM 900 MHz TO 960 MHz WITH A NOMINAL 3 dB_i GAIN N MALE INPUT CONNECTOR	
SIZE	CAGE CODE	DRAWN BY	ITEM NO.
A	3FKR5	DMAY	FM51055

UNLESS OTHERWISE SPECIFIED, LEADING DIMENSIONS ARE INCHES DIMENSIONS IN [] ARE MILLIMETERS

TOLERANCES:

.X = ±.2	[.5]	FRACTIONS
.XX = ±.02	[.5]	± 1/32
.XXX = ±.005	[.13]	ANGLES ± 1°

CABLE LENGTH TOLERANCES:

>12 [305]	= +1 [25] / -0
>12 [305] ≤ 60 [1524]	= +2 [51] / -0
>60 [1524] ≤ 120 [3048]	= +4 [102] / -0
>120 [3048] ≤ 300 [7620]	= +6 [152] / -0
>300 [7620]	= +5% / -0

ALL DIMENSIONS ARE FOR REFERENCE ONLY AND SUBJECT TO CHANGE WITHOUT NOTICE

THE INFORMATION CONTAINED IN THIS DRAWING IS THE SOLE PROPERTY OF INFINITE ELECTRONICS, INC. ANY REPRODUCTION IN PART OR WHOLE WITHOUT THE WRITTEN PERMISSION OF INFINITE ELECTRONICS, INC. IS PROHIBITED. THESE COMMODITIES, TECHNOLOGY OR SOFTWARE WERE EXPORTED FROM THE UNITED STATES IN ACCORDANCE WITH THE EXPORT ADMINISTRATION REGULATIONS. DIVERSION CONTRARY TO U.S. LAW PROHIBITED.