

## GPS Active Antenna Operates From 1.57 GHz to 1.58 GHz With a Nominal 32 dBiC Gain N Female Input Connector

GPS antenna FM51067 from Fairview Microwave is part of our extensive in-stock RF directional antenna selection. This single band GPS Active antenna has a frequency range of 1.57 GHz to 1.58 GHz and a 32 nominal dBi gain. Our GPS antenna uses N female connector and is rated for 0 Watts input. FM51067 radio frequency Global Positioning System antenna is part of over 40,000 RF, microwave and millimeter wave components available from Fairview Microwave. Our GPS aerial can ship worldwide the same day of the purchase as with our other available RF parts.

### Configuration

Design	GPS Active
Polarization	RHCP
Connector Type	N Female

### Electrical Specifications

Description	Min	Typ	Max	Units
Frequency Range	1,570		1,580	MHz
Input VSWR			1.3:1	
Impedance		50		Ohms
Gain	32		35	dBiC

### Mechanical Specifications

Radome Material	Polypropylene
-----------------	---------------

#### Size

Length	0 in [0 mm]
Width	5.2 in [132.08 mm]
Height	6.85 in [173.99 mm]
Weight	0.544 lbs [246.75 g]

### Environmental Specifications

<b>Temperature</b>	
Operating Range	-25 to +85 deg C

**Compliance Certifications** (see [product page](#) for current document)

### Plotted and Other Data

Notes:



### Features:

- L1 GPS Active Survey Antenna
- 32 dBi gain
- Right Hand Circularly Polarized (RHCP)
- Type N Female Connector

### Applications:

- GPS/GNSS
- Geolocation
- Timing Synchronization

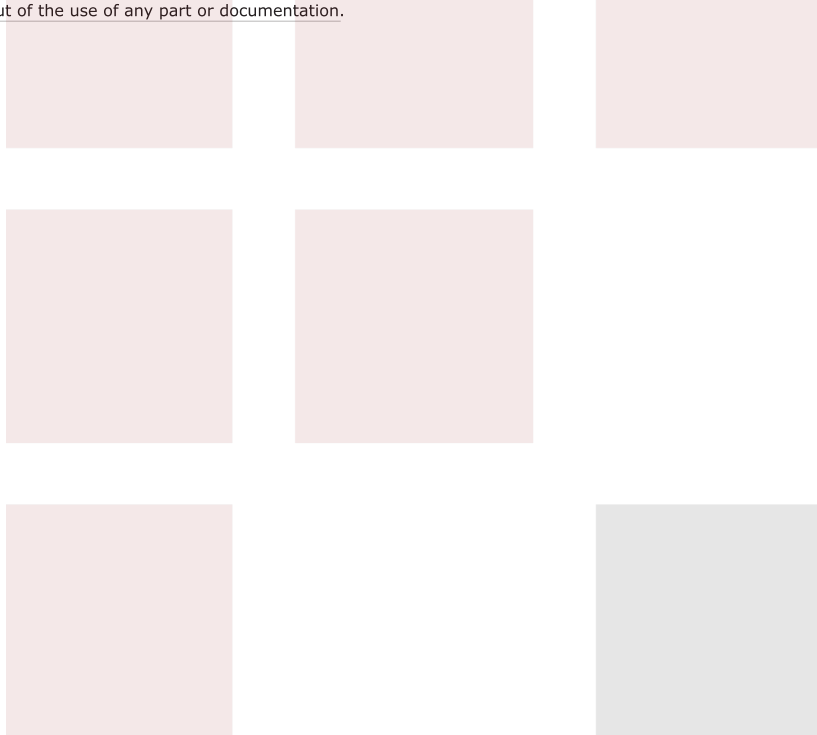
Fairview Microwave  
 301 Leora Ln., Suite 100  
 Lewisville, TX 75056  
 Tel: 1-800-715-4396 / (972) 649-6678  
 Fax: (972) 649-6689  
[www.fairviewmicrowave.com](http://www.fairviewmicrowave.com)  
[sales@fairviewmicrowave.com](mailto:sales@fairviewmicrowave.com)

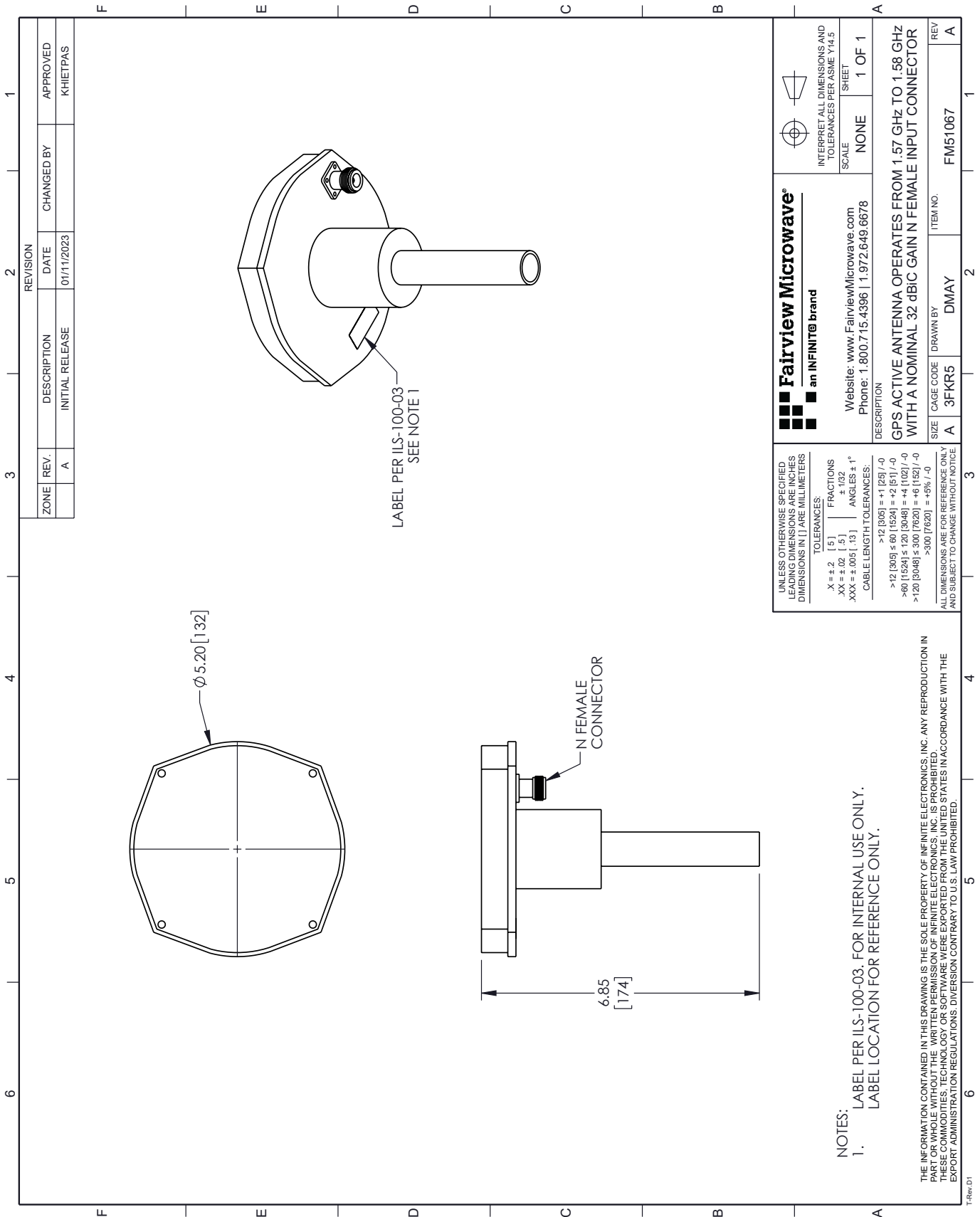
GPS Active Antenna Operates From 1.57 GHz to 1.58 GHz With a Nominal 32 dBiC Gain N Female Input Connector from Fairview Microwave is in-stock and available to ship same-day. All of our RF/microwave products are available off-the-shelf from our ISO 9001:2008 certified facilities in Lewisville, Texas. Fairview Microwave is RF on-demand.

For additional information on this product, please click the following link: [GPS Active Antenna Operates From 1.57 GHz to 1.58 GHz With a Nominal 32 dBiC Gain N Female Input Connector FM51067](#)

URL: <https://www.fairviewmicrowave.com/omni-directional-gps-active-antenna-1.57-1.58-ghz-32-dbic-minimum-gain-n-type-female-connector-polypropylene-radomes-rhcp-fm51067-p.aspx>

The information contained in this document is accurate to the best of our knowledge and representative of the part described herein. It may be necessary to make modifications to the part and/or the documentation of the part, in order to implement improvements. Fairview Microwave reserves the right to make such changes as required. Unless otherwise stated, all specifications are nominal. Fairview Microwave does not make any representation or warranty regarding the suitability of the part described herein for any particular purpose, and Fairview Microwave does not assume any liability arising out of the use of any part or documentation.





REVISION		DATE	CHANGED BY	APPROVED
ZONE	REV.	DESCRIPTION	INITIAL RELEASE	
	A		01/11/2023	KHIETPAS

<b>Fairview Microwave</b> an INFINIT <sup>®</sup> brand		INTERPRET ALL DIMENSIONS AND TOLERANCES PER ASME Y14.5 SCALE: NONE SHEET: 1 OF 1	
Website: <a href="http://www.FairviewMicrowave.com">www.FairviewMicrowave.com</a> Phone: 1.800.715.4396   1.972.649.6678		DESCRIPTION: <b>GPS ACTIVE ANTENNA OPERATES FROM 1.57 GHz TO 1.58 GHz WITH A NOMINAL 32 dBIC GAIN N FEMALE INPUT CONNECTOR</b>	
SIZE	CAGE CODE	DRAWN BY	ITEM NO.
A	3FKR5	DMAY	FM51067

UNLESS OTHERWISE SPECIFIED, LEADING DIMENSIONS ARE INCHES DIMENSIONS IN [ ] ARE MILLIMETERS

TOLERANCES:

.X = ±.2 [5] | FRACTIONS ±.132 | ANGLES ± 1°  
 .XX = ±.02 [.5] | .XXX = ±.005 [.13]

CABLE LENGTH TOLERANCES:  
 >12 [305] = +1 [25] / -0  
 >12 [305] ≤ 60 [1524] = +2 [51] / -0  
 >60 [1524] ≤ 120 [3048] = +4 [102] / -0  
 >120 [3048] ≤ 300 [7620] = +6 [152] / -0  
 >300 [7620] = +5% / -0

ALL DIMENSIONS ARE FOR REFERENCE ONLY AND SUBJECT TO CHANGE WITHOUT NOTICE

NOTES:  
 1. LABEL PER ILS-100-03, FOR INTERNAL USE ONLY. LABEL LOCATION FOR REFERENCE ONLY.

THE INFORMATION CONTAINED IN THIS DRAWING IS THE SOLE PROPERTY OF INFINITE ELECTRONICS, INC. ANY REPRODUCTION IN PART OR WHOLE WITHOUT THE WRITTEN PERMISSION OF INFINITE ELECTRONICS, INC. IS PROHIBITED. THESE COMMODITIES, TECHNOLOGY OR SOFTWARE WERE EXPORTED FROM THE UNITED STATES IN ACCORDANCE WITH THE EXPORT ADMINISTRATION REGULATIONS. DIVERSION CONTRARY TO U.S. LAW PROHIBITED.