

Portable Antenna Operates From 2.4 GHz to 2.5 GHz With a Nominal 3 dBi Gain N Male Input Connector

FM51133 from Fairview Microwave is part of our extensive in-stock omni-directional radio antenna selection. This single band portable antenna has a frequency range of 2.4 GHz to 2.5 GHz and a 3 nominal dBi gain. Our portable antenna uses N male connector and is rated for 0 Watts input. FM51133 portable radio antenna is one of over 40,000 RF, microwave and millimeter wave components supplied from Fairview Microwave. Our portable aerial can be bought and shipped worldwide the same-day as with our other available RF parts.

Configuration

Design: Portable
Polarization: Vertical
Connector Type: N Male

Electrical Specifications

Description	Min	Typ	Max	Units
Frequency Range	2,400		2,500	MHz
Input VSWR			1.43:1	
Impedance		50		Ohms
Gain	3			dBi

Mechanical Specifications

Radome Material: Fiberglass

Size

Length: 4.57 in [116.08 mm]
Width: 0.6 in [15.24 mm]
Height: 0 in [0 mm]
Weight: 0.76 lbs [344.73 g]

Environmental Specifications

Compliance Certifications (see [product page](#) for current document)

Plotted and Other Data

Notes:



Features:

- 2400 - 2500 MHz portable omni directional dipole antenna
- Military grade rugged fiberglass dipole antenna
- Vertical Polarized
- 3 dBi gain
- Type N Male connector
- White color radome

Applications:

- 2.4 GHz Wi-Fi
- IoT
- Zigbee, Bluetooth
- Military applications

Fairview Microwave
301 Leora Ln., Suite 100
Lewisville, TX 75056
Tel: 1-800-715-4396 / (972) 649-6678
Fax: (972) 649-6689
www.fairviewmicrowave.com
sales@fairviewmicrowave.com

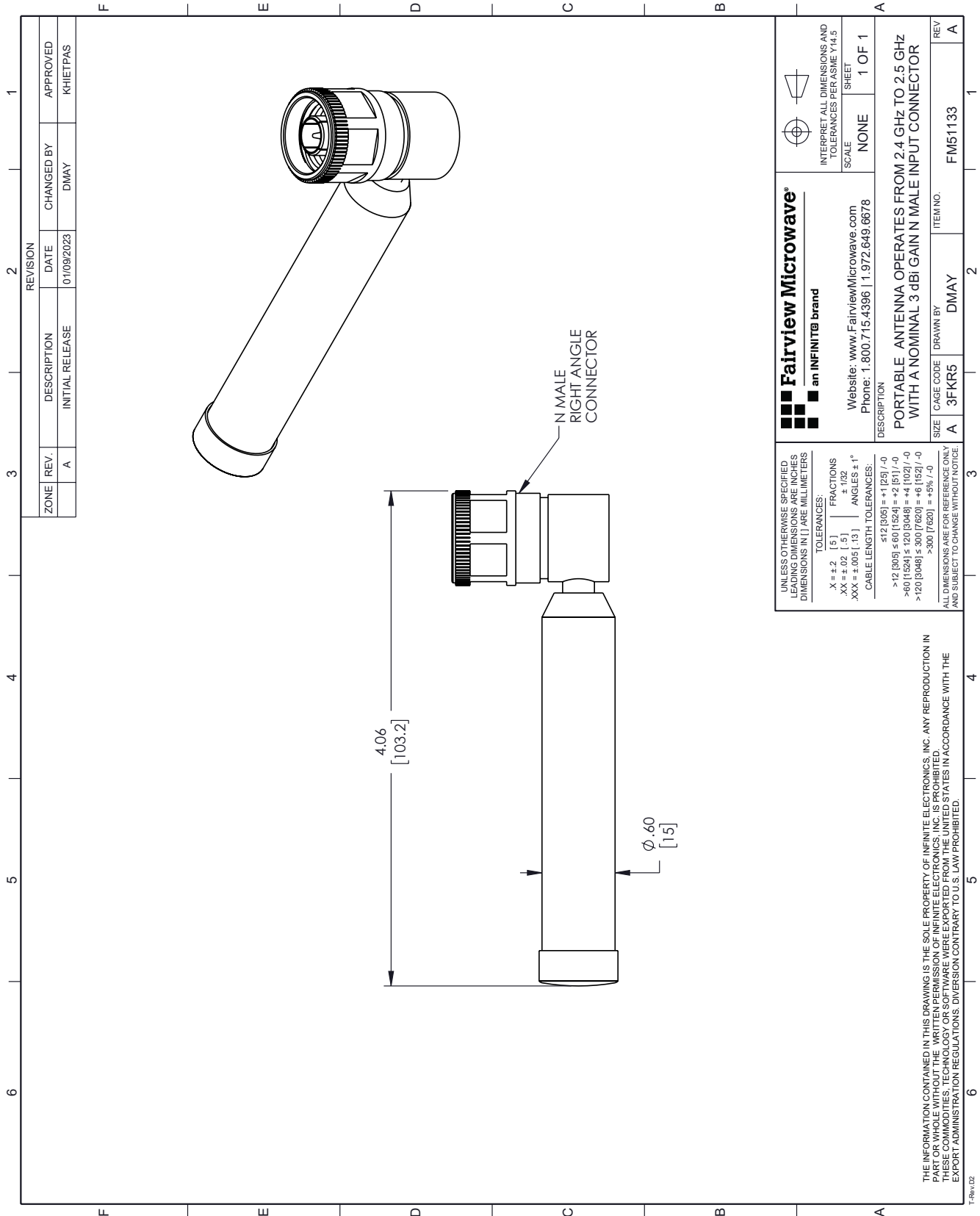
Portable Antenna Operates From 2.4 GHz to 2.5 GHz With a Nominal 3 dBi Gain N Male Input Connector from Fairview Microwave is in-stock and available to ship same-day. All of our RF/microwave products are available off-the-shelf from our ISO 9001:2008 certified facilities in Lewisville, Texas. Fairview Microwave is RF on-demand.

For additional information on this product, please click the following link: [Portable Antenna Operates From 2.4 GHz to 2.5 GHz With a Nominal 3 dBi Gain N Male Input Connector FM51133](#)

URL: <https://www.fairviewmicrowave.com/dbi-portable-antenna-2400-2500-mhz-n-type-connector-fm51133-p.aspx>

The information contained in this document is accurate to the best of our knowledge and representative of the part described herein. It may be necessary to make modifications to the part and/or the documentation of the part, in order to implement improvements. Fairview Microwave reserves the right to make such changes as required. Unless otherwise stated, all specifications are nominal. Fairview Microwave does not make any representation or warranty regarding the suitability of the part described herein for any particular purpose, and Fairview Microwave does not assume any liability arising out of the use of any part or documentation.





REVISION		DATE	CHANGED BY	APPROVED
ZONE	REV.	DESCRIPTION	INITIAL RELEASE	
	A		DMAY	KH1ETPAS

Fairview Microwave[®] an INFINIT [®] brand		INTERPRET ALL DIMENSIONS AND TOLERANCES PER ASME Y14.5 SCALE NONE SHEET 1 OF 1
Website: www.FairviewMicrowave.com Phone: 1.800.715.4396 1.972.649.6678		DESCRIPTION PORTABLE ANTENNA OPERATES FROM 2.4 GHz TO 2.5 GHz WITH A NOMINAL 3 dBi GAIN N MALE INPUT CONNECTOR
SIZE	CAGE CODE	ITEM NO.
A	3FKR5	FM51133

UNLESS OTHERWISE SPECIFIED, DIMENSIONS ARE IN MILLIMETERS AND DIMENSIONS IN LARGE MILLIMETERS

TOLERANCES:
 .X = ±.2 [5] FRACTIONS ± .152
 .XX = ±.02 [.5] ANGLES ± 1°
 .XXX = ±.005 [.13]

CABLE LENGTH TOLERANCES:
 ≤ 12 [305] = ±.125 [3.175] / -0
 > 12 [305] ≤ 60 [1524] = ±.25 [6.35] / -0
 > 60 [1524] ≤ 120 [3048] = ±.5 [12.7] / -0
 > 120 [3048] ≤ 300 [7620] = ±.75 [19.05] / -0
 > 300 [7620] = ±.5% / -0

ALL DIMENSIONS ARE FOR REFERENCE ONLY AND SUBJECT TO CHANGE WITHOUT NOTICE.

THE INFORMATION CONTAINED IN THIS DRAWING IS THE SOLE PROPERTY OF INFINITE ELECTRONICS, INC. ANY REPRODUCTION IN WHOLE OR IN PART WITHOUT THE WRITTEN PERMISSION OF INFINITE ELECTRONICS, INC. IS PROHIBITED. THESE COMMODITIES, TECHNOLOGY OR SOFTWARE WERE EXPORTED FROM THE UNITED STATES IN ACCORDANCE WITH THE EXPORT ADMINISTRATION REGULATIONS. DIVERSION CONTRARY TO U.S. LAW PROHIBITED.