

Mobile Antenna Operates From 2.4 GHz to 2.5 GHz With a Nominal 3 dB Gain NMO Mount Input Connector

Mobile antenna FM51136 from Fairview Microwave is part of our extensive in-stock omni-directional radio antenna selection. This single band mobile antenna has a frequency range of 2.4 GHz to 2.5 GHz and a 3 nominal dBi gain. Our mobile antenna uses NMO Mount input and is rated for 150 Watts input. FM51136 mobile radio antenna is one of over 40,000 RF, microwave and millimeter wave components supplied from Fairview Microwave. Our mobile aerial can be bought and shipped worldwide the same-day as with our other in-stock RF parts.

Configuration

Design	Mobile
Polarization	Vertical
Connector Type	NMO Mount

Electrical Specifications

Description	Min	Typ	Max	Units
Frequency Range	2,400		2,500	MHz
Impedance		50		Ohms
Gain	3			dB
Input Power			150	Watts

Mechanical Specifications

Radome Material	Plastic
Size	
Length	3.4 in [86.36 mm]
Width	1.5 in [38.1 mm]
Height	0 in [0 mm]
Weight	0.124 lbs [56.25 g]

Environmental Specifications

Compliance Certifications (see [product page](#) for current document)

Plotted and Other Data

Notes:



Features:

- 2400 - 2500 MHz low profile omni directional dipole antenna
- Vehicle mount NMO style
- Vertical Polarized
- 3 dBi gain
- 150 W input power handling capacity
- Type N Male connector
- Black radome

Applications:

- 2.4 GHz Wi-Fi
- IoT
- Zigbee, Bluetooth
- Vehicle Mount NMO

Fairview Microwave
 301 Leora Ln., Suite 100
 Lewisville, TX 75056
 Tel: 1-800-715-4396 / (972) 649-6678
 Fax: (972) 649-6689
www.fairviewmicrowave.com
sales@fairviewmicrowave.com

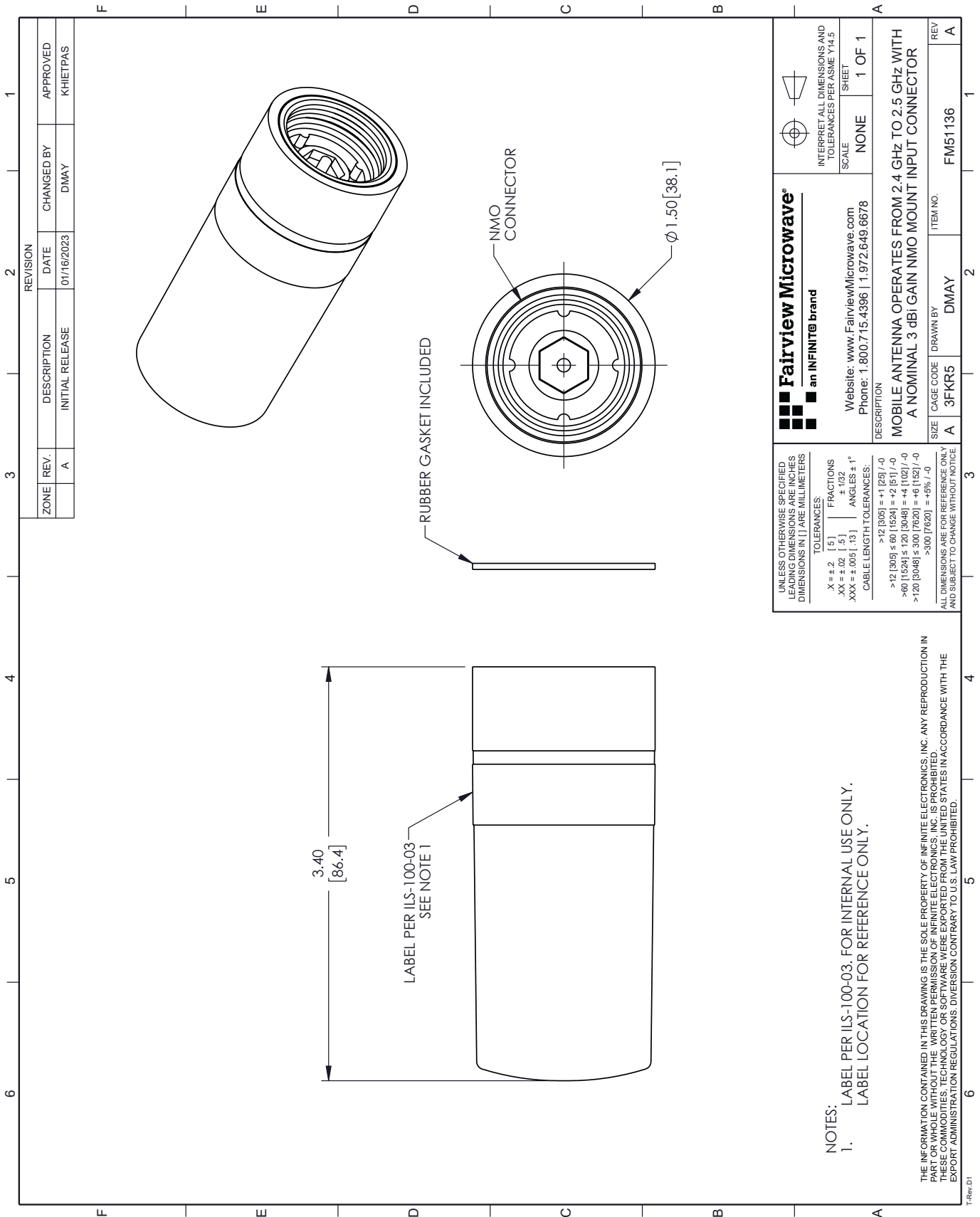
Mobile Antenna Operates From 2.4 GHz to 2.5 GHz With a Nominal 3 dB Gain NMO Mount Input Connector from Fairview Microwave is in-stock and available to ship same-day. All of our RF/microwave products are available off-the-shelf from our ISO 9001:2008 certified facilities in Lewisville, Texas. Fairview Microwave is RF on-demand.

For additional information on this product, please click the following link: [Mobile Antenna Operates From 2.4 GHz to 2.5 GHz With a Nominal 3 dB Gain NMO Mount Input Connector FM51136](#)

URL: <https://www.fairviewmicrowave.com/db-mobile-antenna-2400-2500-mhz-nmo-mount-connector-fm51136-p.aspx>

The information contained in this document is accurate to the best of our knowledge and representative of the part described herein. It may be necessary to make modifications to the part and/or the documentation of the part, in order to implement improvements. Fairview Microwave reserves the right to make such changes as required. Unless otherwise stated, all specifications are nominal. Fairview Microwave does not make any representation or warranty regarding the suitability of the part described herein for any particular purpose, and Fairview Microwave does not assume any liability arising out of the use of any part or documentation.





REVISION		DATE	CHANGED BY	APPROVED
ZONE	REV.	DESCRIPTION	INITIAL RELEASE	
	A			KHIETPAS

Fairview Microwave an INFINIT [®] brand		 INTERPRET ALL DIMENSIONS AND TOLERANCES PER ASME Y14.5 SCALE: NONE SHEET: 1 OF 1	
Website: www.FairviewMicrowave.com Phone: 1.800.715.4396 1.972.649.6678		DESCRIPTION: MOBILE ANTENNA OPERATES FROM 2.4 GHz TO 2.5 GHz WITH A NOMINAL 3 dB_i GAIN NMO MOUNT INPUT CONNECTOR	
SIZE	CAGE CODE	DRAWN BY	ITEM NO.
A	3FKR5	DMAY	FM51136

UNLESS OTHERWISE SPECIFIED, LEADING DIMENSIONS ARE IN INCHES. DIMENSIONS IN [] ARE MILLIMETERS.

TOLERANCES:

.X ± .2	[.5]	FRACTIONS
.XX ± .02	[.5]	± .032
.XXX ± .005	[.13]	ANGLES ± 1°

CABLE LENGTH TOLERANCES:

>12 [305]	± .125 [-0]
>60 [1524]	± .25 [-0]
>120 [3048]	± .50 [-0]
>300 [7620]	± .75 [-0]

ALL DIMENSIONS ARE FOR REFERENCE ONLY AND SUBJECT TO CHANGE WITHOUT NOTICE.

- NOTES:
- LABEL PER ILS-100-03. FOR INTERNAL USE ONLY.
 LABEL LOCATION FOR REFERENCE ONLY.

THE INFORMATION CONTAINED IN THIS DRAWING IS THE SOLE PROPERTY OF INFINITE ELECTRONICS, INC. ANY REPRODUCTION IN PART OR WHOLE WITHOUT THE WRITTEN PERMISSION OF INFINITE ELECTRONICS, INC. IS PROHIBITED. THESE COMMODITIES, TECHNOLOGY OR SOFTWARE WERE EXPORTED FROM THE UNITED STATES IN ACCORDANCE WITH THE EXPORT ADMINISTRATION REGULATIONS. DIVERSION CONTRARY TO U.S. LAW PROHIBITED.