

Dome Multi Band Antenna Operates From 698 MHz to 2.7 GHz With a Maximum 5 dBi Gain N Female Input Connector

Dome antenna FM51158 from Fairview Microwave is featured in our extensive in-stock radio frequency directional antenna selection. This multi band ceiling dome antenna uses has a frequency range of 698 MHz to 960 MHz, 1.71 GHz to 2.7 GHz , and a 2 nominal dBi gain. Our ceiling mount dome antenna uses N female connector and is rated for 50 Watts input. Our radio frequency dome ceiling antenna. FM51158 is part of over 40,000 RF, microwave and millimeter wave components available from Fairview Microwave. This dome RF antenna can ship worldwide the same day of the purchase as with our other available RF parts.

Configuration

Design	Dome
Gain	2 dBi
Polarization	Vertical
Connector Type	N Female

Electrical Specifications

Description	Min	Typ	Max	Units
Frequency Range	698		2,700	MHz
Input VSWR			1.7:1	
Impedance		50		Ohms
Gain	2		5	dBi
Vertical (Elevation) Beam Width		360		Degrees
Input Power			50	Watts
Passive Intermodulation			-107	dBc

Specifications by Frequency

Description	Band 1	Band 2	Band 3	Band 4	Band 5	Units
Range	0.698-0.96	1.71-2.7				GHz
Gain	2	5				dBi
VSWR	1.7:1	1.5:1				

Mechanical Specifications

Radome Material	ABS
Size	
Length	0 in [0 mm]
Width	3.34 in [84.84 mm]
Height	7.32 in [185.93 mm]
Weight	0.276 lbs [125.19 g]

Environmental Specifications

Temperature	
Operating Range	-40 to +60 deg C
Storage Range	-55 to +70 deg C



Features:

- Vertical Polarized
- 698 - 2700 MHz broadband Dome antenna
- In-building DAS ceiling antenna
- 5 dBi Gain
- 50 W power handling capacity
- Type N Female connector

Applications:

- DAS Networks
- Cellular (3G, 4G, LTE) and Wi-Fi extension
- 2.4 GHz Wi-Fi applications
- Public Safety

Fairview Microwave
 301 Leora Ln., Suite 100
 Lewisville, TX 75056
 Tel: 1-800-715-4396 / (972) 649-6678
 Fax: (972) 649-6689
www.fairviewmicrowave.com
sales@fairviewmicrowave.com

Compliance Certifications (see [product page](#) for current document)

Plotted and Other Data

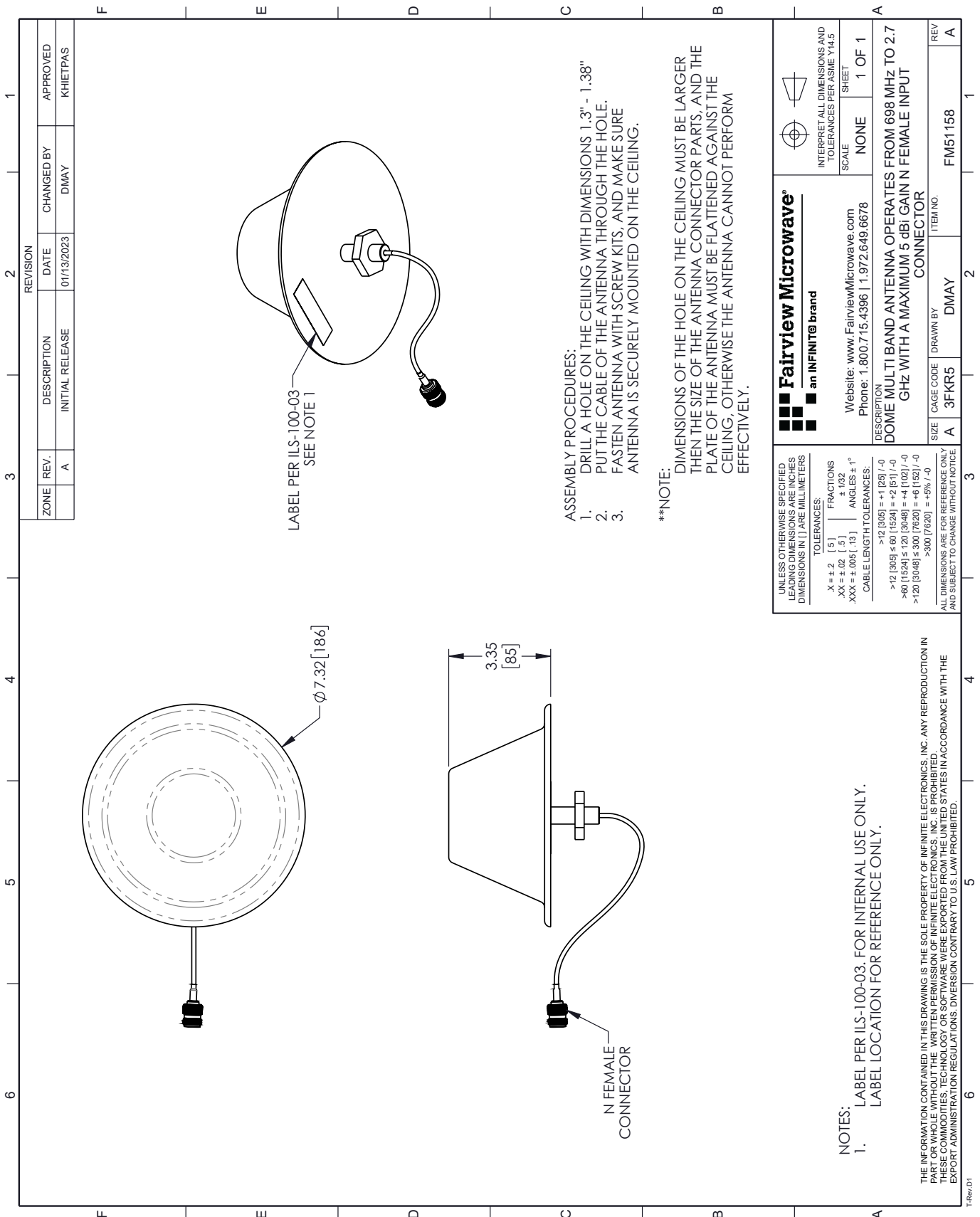
Notes:

Dome Multi Band Antenna Operates From 698 MHz to 2.7 GHz With a Maximum 5 dBi Gain N Female Input Connector from Fairview Microwave is in-stock and available to ship same-day. All of our RF/microwave products are available off-the-shelf from our ISO 9001:2008 certified facilities in Lewisville, Texas. Fairview Microwave is RF on-demand.

For additional information on this product, please click the following link: [Dome Multi Band Antenna Operates From 698 MHz to 2.7 GHz With a Maximum 5 dBi Gain N Female Input Connector FM51158](#)

URL: <https://www.fairviewmicrowave.com/dbi-multiband-dome-antenna-698-2700-mhz-n-type-connector-fm51158-p.aspx>

The information contained in this document is accurate to the best of our knowledge and representative of the part described herein. It may be necessary to make modifications to the part and/or the documentation of the part, in order to implement improvements. Fairview Microwave reserves the right to make such changes as required. Unless otherwise stated, all specifications are nominal. Fairview Microwave does not make any representation or warranty regarding the suitability of the part described herein for any particular purpose, and Fairview Microwave does not assume any liability arising out of the use of any part or documentation.



REVISION			
ZONE	REV.	DESCRIPTION	DATE
	A	INITIAL RELEASE	01/13/2023

CHANGED BY	APPROVED
DMAY	KHIETPAS

LABEL PER ILS-100-03
SEE NOTE 1

- ASSEMBLY PROCEDURES:**
1. DRILL A HOLE ON THE CEILING WITH DIMENSIONS 1.3" - 1.38"
 2. PUT THE CABLE OF THE ANTENNA THROUGH THE HOLE.
 3. FASTEN ANTENNA WITH SCREW KITS, AND MAKE SURE ANTENNA IS SECURELY MOUNTED ON THE CEILING.

****NOTE:** DIMENSIONS OF THE HOLE ON THE CEILING MUST BE LARGER THEN THE SIZE OF THE ANTENNA CONNECTOR PARTS, AND THE PLATE OF THE ANTENNA MUST BE FLATTENED AGAINST THE CEILING, OTHERWISE THE ANTENNA CANNOT PERFORM EFFECTIVELY.

<p>Fairview Microwave[®] an INFINIT[®] brand</p> <p>Website: www.FairviewMicrowave.com Phone: 1.800.715.4396 1.972.649.6678</p>		<p>INTERPRET ALL DIMENSIONS AND TOLERANCES PER ASME Y14.5 SHEET</p> <p>SCALE NONE</p> <p>SHEET 1 OF 1</p>
<p>DESCRIPTION DOME MULTI BAND ANTENNA OPERATES FROM 698 MHz TO 2.7 GHz WITH A MAXIMUM 5 dBi GAIN N FEMALE INPUT CONNECTOR</p>		
SIZE A	CAGE CODE 3FKR5	ITEM NO. FM51158
REV A	DRAWN BY DMAY	REV A

UNLESS OTHERWISE SPECIFIED LEADING DIMENSIONS ARE INCHES DIMENSIONS IN [] ARE MILLIMETERS

TOLERANCES:

.X = ± .2 [5]	FRACTIONS ± 1/32
.XX = ± .02 [.5]	ANGLES ± 1°
.XXX = ± .005 [.13]	

CABLE LENGTH TOLERANCES:

>12 [305] ≤ +1 [25] / -0
>60 [1524] ≤ +2 [51] / -0
>60 [1524] ≤ +4 [102] / -0
>120 [3048] ≤ +6 [152] / -0
>300 [7620] = +5% / -0

ALL DIMENSIONS ARE FOR REFERENCE ONLY AND SUBJECT TO CHANGE WITHOUT NOTICE

- NOTES:**
1. LABEL PER ILS-100-03. FOR INTERNAL USE ONLY. LABEL LOCATION FOR REFERENCE ONLY.

THE INFORMATION CONTAINED IN THIS DRAWING IS THE SOLE PROPERTY OF INFINITE ELECTRONICS, INC. ANY REPRODUCTION IN PART OR WHOLE WITHOUT THE WRITTEN PERMISSION OF INFINITE ELECTRONICS, INC. IS PROHIBITED. THESE COMMODITIES, TECHNOLOGY OR SOFTWARE WERE EXPORTED FROM THE UNITED STATES IN ACCORDANCE WITH THE EXPORT ADMINISTRATION REGULATIONS. DIVERSION CONTRARY TO U.S. LAW PROHIBITED.