

Indoor DAS Panel Antenna, 6.5 dBi, 698 MHz-4000 MHz, N-Female, 4x4 MIMO, Low PIM

Fairview Microwave's Indoor DAS Panel Antenna FM51245 is in stock and ready to ship the same-day of order. The FM51245 indoor panel antenna comes with 6.5dBi high gain, 4X4 MIMO and N female connectors. This indoor DAS panel antenna has a wide band frequency range from 698 MHz to 4000 MHz. The 4 port capabilities increase the 5G data speeds up to 4 x that of a single antenna. Fairview Microwave's Low PIM (low internal noise) N female increases the throughput, data speeds, quality of connection and allows more users to connect to the antenna.

Our antenna specialists are ready and available to answer any questions you may have on the FM51245 indoor DAS panel antenna. The indoor wall antenna has a low PIM rating and low-loss pigtailed with 75/70/68 degree horizontal beamwidths and 70/70/60 degree vertical beamwidths that provide installation flexibility. The 6.5dBi panel antenna low profile designs allow for seamless installation indoors without creating eyesores or potential interference with indoor personnel. These low PIM antennas have low loss pigtailed that allows for installation flexibility.

Contact Fairview Microwave's expert technical support for assistance with the indoor DAS panel antenna or any Antenna. Our knowledgeable sales team simplifies the purchasing process and ensures that your panel antenna will be exact to specification.

The antenna FM51245 from Fairview Microwave provides a higher quality connection and improved longevity. Order your 4-port low PIM (low noise) Indoor DAS Panel Antenna FM51245 from Fairview Microwave today. There is no MOQ (minimum order quantity) and the product ships same day from our warehouse.

Configuration

Design	Panel
Gain	6 dBi
Polarization	Vertical/Horizontal
Connector Type	N Female
Interface 2	N Female
Interface 3	N Female
Interface 4	N Female
Number of Ports	4

Electrical Specifications

Description	Min	Typ	Max	Units
Frequency Range	698		4,000	MHz
Input VSWR			1.8:1	
Impedance		50		Ohms
Gain	6		6.5	dBi
Input Power			50	Watts
Passive Intermodulation 3rd order, 2 x 20 W			-153	dBc

Specifications by Frequency

Description	Band 1	Band 2	Band 3	Band 4	Band 5	Units
Range	0.698-0.96	1.71-2.7	3.3-4			GHz
Port to Port Isolation	15	20	23			dB



Features:

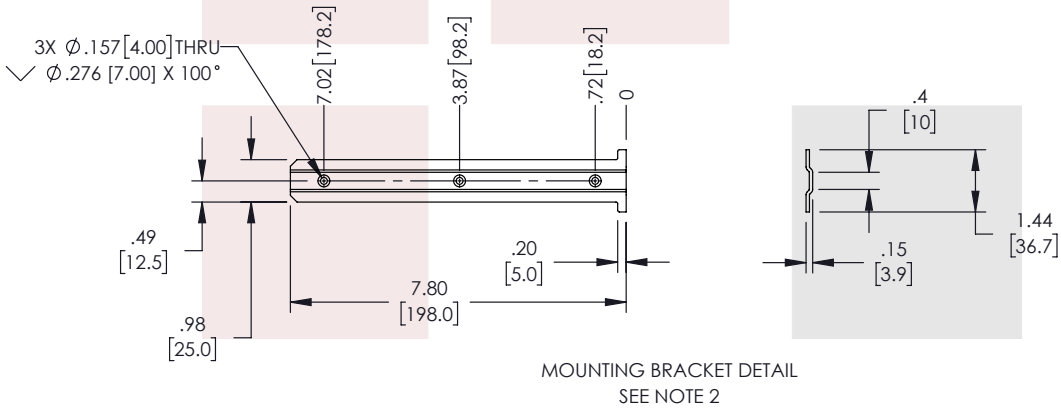
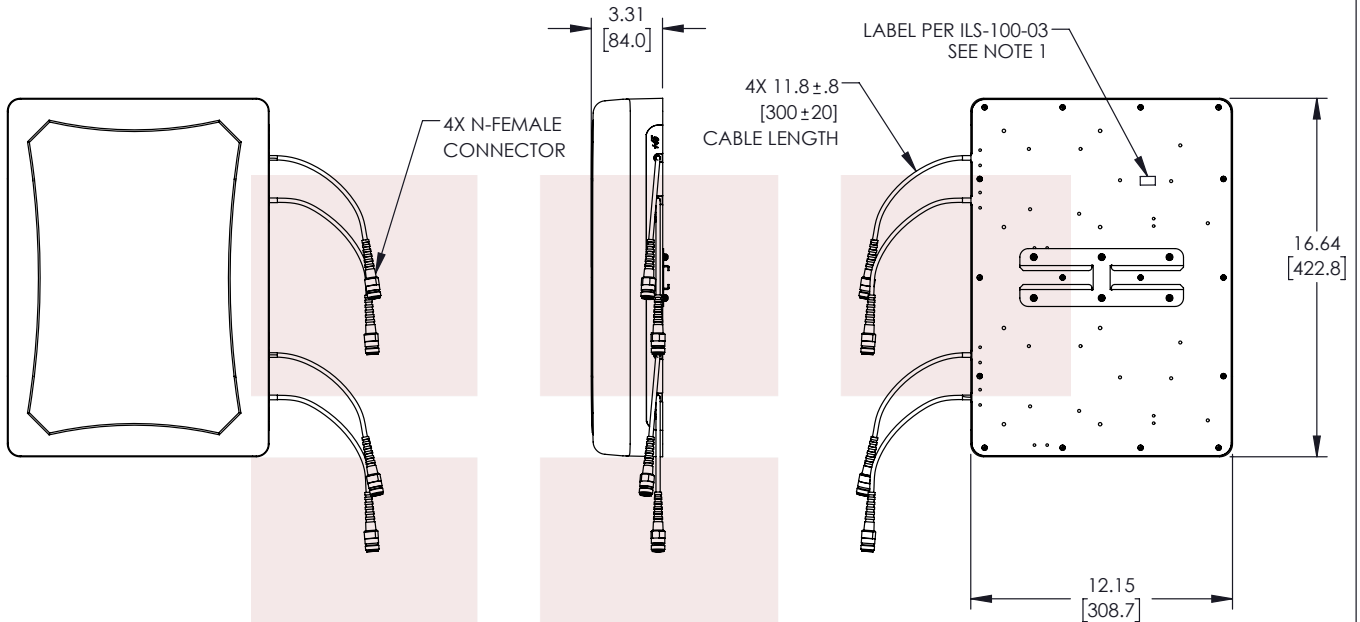
- Indoor distribution of 5G, LTE, GSM/CDMA
- In-building public or private networks
- LPWAN, LoRA, LTE-M, NB-IoT, IoT, M2M applications
- DAS (Distributed Antenna Systems)

Applications:

- Low Passive Intermodulation (PIM) <-153 dBc @ 2x20W
- Vertical Polarization
- Low return loss, stable performance
- 4 x N-Female connector
- Covers 5G frequency bands including 600 MHz and extended CBRS

Fairview Microwave
301 Leora Ln., Suite 100
Lewisville, TX 75056
Tel: 1-800-715-4396 / (972) 649-6678
Fax: (972) 649-6689
www.fairviewmicrowave.com
sales@fairviewmicrowave.com

REVISIONS			
REV.	DESCRIPTION	DATE	APPROVED
A	INITIAL RELEASE	06/21/2022	KHIETPAS



- NOTES:
- LABEL PER ILS-100-03 (FOR INTERNAL USE ONLY). LABEL LOCATION SHOWN IS FOR REFERENCE ONLY.
 - WALL THICKNESS FOR MOUNTING MUST BE .98 [25.0] MINIMUM.

THESE COMMODITIES, TECHNOLOGY OR SOFTWARE WERE EXPORTED FROM THE UNITED STATES IN ACCORDANCE WITH THE EXPORT ADMINISTRATION REGULATIONS. DIVERSION CONTRARY TO U.S. LAW PROHIBITED.

<p>Fairview Microwave an INFINIT[®] brand</p>	UNLESS OTHERWISE SPECIFIED LEADING DIMENSIONS ARE INCHES DIMENSIONS IN [] ARE MILLIMETERS		THIRD-ANGLE PROJECTION 	
	TOLERANCES:		CABLE LENGTH (L) TOLERANCES:	
TITLE Indoor DAS Panel Antenna, 6.5 dBi, 698 MHz- 4000 MHz, N-Female, 4x4 MIMO, Low PIM	.X = ± 2 [5.08] FRACTIONS ± 1/32 .XX = ± .02 [.51] ANGLES ± 1° .XXX = ± .005 [.13]		L ≤ 12 [305] = +1 [25] / -0 12 [305] < L ≤ 60 [1524] = +2 [51] / -0 60 [1524] < L ≤ 120 [3048] = +4 [102] / -0 120 [3048] < L ≤ 300 [7620] = +6 [152] / -0 300 [7620] < L = +5%L / -0	
	ALL DIMENSIONS SHOWN ARE FOR REFERENCE ONLY.			
SCALE N/A				REV A
SIZE A	CAGE CODE 3FKR5	DRAWN BY AKRESOWSK	ITEM NO. FM51245	REV A

T-Rev.D