

Indoor DAS Ceiling Omni Antenna, 4.5 dBi, 698 MHz - 4200 MHz, 4 x N-Female, Low PIM

Fairview Microwave's Indoor DAS Ceiling Omni Antenna FM51247 is in stock and ready to ship the same-day of order. The FM51247 indoor ceiling omni antenna comes with 4.5dBi gain and 4 x N-female connectors. This indoor DAS ceiling omni antenna has a wide band frequency range from 698MHz to 4200MHz. The 4 port capabilities increase the 5G data speeds up to 4 x that of a single antenna. Fairview Microwave's Low PIM (low internal noise) 4xN female increases the throughput, data speeds, quality of connection and allows more users to connect to the antenna.

Our omni antenna specialists are ready and available to answer any questions you may have on the FM51247 indoor DAS ceiling omni antenna. The 4.5dBi ceiling omni antenna low profile designs allow for seamless installation indoors without creating eyesores or potential interference with indoor personnel. These low PIM antennas have low loss pigtailed that allows for installation flexibility.

Contact Fairview Microwave's expert technical support for assistance with the indoor DAS ceiling omni antenna or any Antenna. Our knowledgeable sales team simplifies the purchasing process and ensures that your ceiling Omni antenna will be exact to specification.

The omni antenna FM51247 from Fairview Microwave provides a higher quality connection and improved longevity. Order your 4-port low PIM (low noise) Indoor DAS Ceiling Omni Antenna FM51247 from Fairview Microwave today. There is no MOQ (minimum order quantity) and the product ships same day from our warehouse.

Configuration

Design	Ceiling
Gain	3 dBi
Polarization	Vertical/Horizontal
Connector Type	N Female
Interface 2	N Female
Interface 3	N Female
Interface 4	N Female
Number of Ports	4

Electrical Specifications

Description	Min	Typ	Max	Units
Frequency Range	698		4,000	MHz
Input VSWR			1.8:1	
Impedance		50		Ohms
Gain	3		4.5	dBi
Input Power			50	Watts
Passive Intermodulation 3rd order, 2 x 20 W			-153	dBc

Specifications by Frequency

Description	Band 1	Band 2	Band 3	Band 4	Band 5	Units
Range	0.698-0.96	1.71-2.7	3.3-4			GHz
Port to Port Isolation	16	20	25			dB



Features:

- Indoor distribution of 5G, LTE, GSM/CDMA
- In-building public or private networks
- LPWAN, LoRA, LTE-M, NB-IoT, IoT, M2M applications
- DAS (Distributed Antenna Systems)

Applications:

- Low Passive Intermodulation (PIM) <-153 dBc @ 2x20W
- Vertical Polarization
- Low return loss, stable performance
- 4 x N-Female connector
- Covers 5G frequency bands including 600 MHz and extended CBRS

Fairview Microwave
301 Leora Ln., Suite 100
Lewisville, TX 75056
Tel: 1-800-715-4396 / (972) 649-6678
Fax: (972) 649-6689
www.fairviewmicrowave.com
sales@fairviewmicrowave.com

Gain	3	3.5	4.5	dBi
Horiz. Beam Width	360	360	360	Degrees
Vert. Beam Width	90	85	45	Degrees
VSWR	1.8:1	1.8:1	1.8:1	

Mechanical Specifications

Radome Material ABS

Size

Length 14.1732 in [360 mm]
 Width 14.1732 in [360 mm]
 Height 0.944882 in [24 mm]
 Weight 9.92 lbs [4.5 kg]

Environmental Specifications

Temperature

Operating Range -55 to +60 deg C

Humidity <95

Compliance Certifications (see [product page](#) for current document)

Plotted and Other Data

Notes:

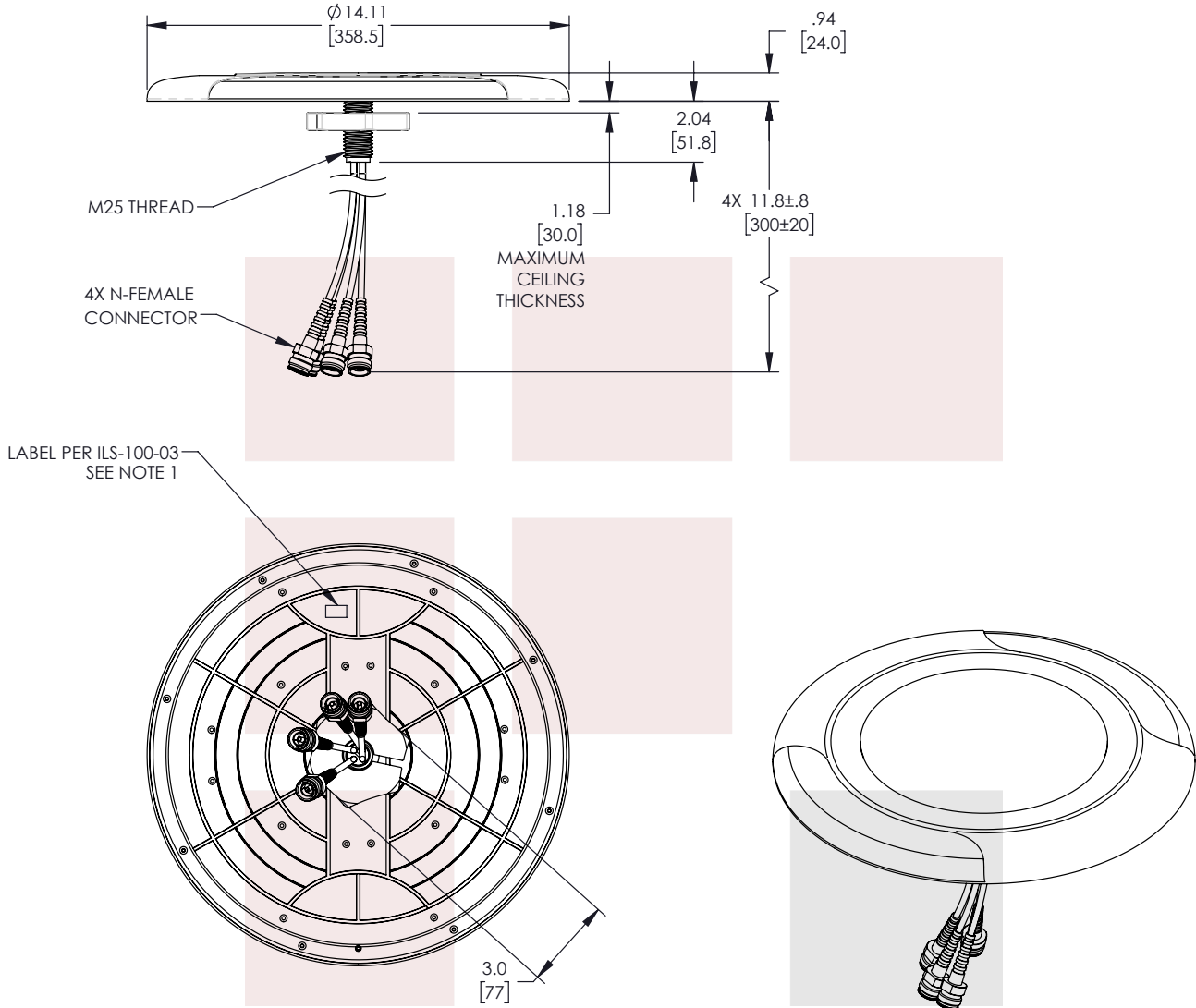
Indoor DAS Ceiling Omni Antenna, 4.5 dBi, 698 MHz - 4200 MHz, 4 x N-Female, Low PIM from Fairview Microwave is in-stock and available to ship same-day. All of our RF/microwave products are available off-the-shelf from our ISO 9001:2008 certified facilities in Lewisville, Texas. Fairview Microwave is RF on-demand.

For additional information on this product, please click the following link: [Indoor DAS Ceiling Omni Antenna, 4.5 dBi, 698 MHz - 4200 MHz, 4 x N-Female, Low PIM FM51247](#)

URL: <https://www.fairviewmicrowave.com/wide-band-antenna-5-dbi-n-female-fm51247-p.aspx>

The information contained in this document is accurate to the best of our knowledge and representative of the part described herein. It may be necessary to make modifications to the part and/or the documentation of the part, in order to implement improvements. Fairview Microwave reserves the right to make such changes as required. Unless otherwise stated, all specifications are nominal. Fairview Microwave does not make any representation or warranty regarding the suitability of the part described herein for any particular purpose, and Fairview Microwave does not assume any liability arising out of the use of any part or documentation.

REVISIONS			
REV.	DESCRIPTION	DATE	APPROVED
A	INITIAL RELEASE	06/21/2022	KHIETPAS



NOTES:

1. LABEL PER ILS-100-03 (FOR INTERNAL REFERENCE ONLY). LABEL LOCATION FOR REFERENCE ONLY.

THESE COMMODITIES, TECHNOLOGY OR SOFTWARE WERE EXPORTED FROM THE UNITED STATES IN ACCORDANCE WITH THE EXPORT ADMINISTRATION REGULATIONS. DIVERSION CONTRARY TO U.S. LAW PROHIBITED.

TITLE

Indoor DAS Ceiling Omni Antenna, 4.5 dBi, 698 MHz - 4200 MHz, 4 x N-Female, Low PIM

UNLESS OTHERWISE SPECIFIED LEADING DIMENSIONS ARE INCHES
DIMENSIONS IN [] ARE MILLIMETERS

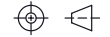
TOLERANCES:

.X = ±.2 [5.08] FRACTIONS ± 1/32
.XX = ±.02 [.51] ANGLES ± 1°
.XXX = ±.005 [.13]

CABLE LENGTH (L) TOLERANCES:

L ≤ 12 [305] = +1 [25] / -0
12 [305] < L ≤ 60 [1524] = +2 [51] / -0
60 [1524] < L ≤ 120 [3048] = +4 [102] / -0
120 [3048] < L ≤ 300 [7620] = +6 [152] / -0
300 [7620] < L = +5%L / -0

THIRD-ANGLE PROJECTION



THE INFORMATION AND DESIGN IN THIS DOCUMENT IS THE PROPERTY OF FAIRVIEW MICROWAVE CORPORATION. ALL RIGHTS RESERVED.

SHEET 1 OF 1

SCALE

N/A

ALL DIMENSIONS SHOWN ARE FOR REFERENCE ONLY.

SIZE A	CAGE CODE 3FKR5	DRAWN BY AKRESOWSK	ITEM NO. FM51247	REV A
-----------	--------------------	-----------------------	---------------------	----------

T-Rev.D