

**4950 MHz to 7125 MHz, 1-foot Parabolic Antenna,
2x2 MIMO, 25 dBi, RPSMA**
Description

Fairview Microwave's FM51PD1007 is a MIMO vertical/horizontal polarized antenna that ships same day from our ISO 9001:2015 certified facility. This 2-port parabolic antenna has an 2-port SMA connector. The FM51PD1007 is a single-band antenna operating from 4950 to 7125 MHz with 25 dBi gain.

Fairview Microwave's MIMO parabolic antenna with a 4950 to 7125 MHz frequency range has a maximum input VSWR of 2.5:1.

The FM51PD1007 antenna has a white radome made of aluminum, an overall length of 15.7 in, width of 15.7 in, and weighs 5.5 lbs. Use our on-line ordering system to purchase your FM51PD1007 MIMO parabolic antenna 24 hours a day with same-day shipping and no MOQs (minimum order quantities).

Configuration

| | |
|----------------------|----------------------|
| Design | Parabolic |
| Gain | 24 dBi |
| Polarization | H/V or 45 Deg. Slant |
| Connector Type | SMA Reverse Polarity |
| Interface 2 | SMA Reverse Polarity |
| Number of Ports | 2 |
| Lightning Protection | DC Grounded |

Electrical Specifications

| Description | Min | Typ | Max | Units |
|---------------------------------|-------|-----|-------|---------|
| Frequency Range | 4,950 | | 7,125 | MHz |
| Impedance | | 50 | | Ohms |
| Isolation | | 30 | | dB |
| Front to Back Ratio | | 30 | | dB |
| Horizontal (Azimuth) Beam Width | | 9 | | Degrees |
| Vertical (Elevation) Beam Width | | 9 | | Degrees |
| Input Power | | | 50 | Watts |

Specifications by Frequency

| Description | Band 1 | Band 2 | Band 3 | Band 4 | Band 5 | Units |
|-------------|----------|---------|-----------|--------|--------|-------|
| Range | 4.95-5.1 | 5.1-5.9 | 5.9-7.125 | | | GHz |
| Gain | 24 | 24.5 | 25 | | | dBi |
| VSWR | 2.5:1 | 2:1 | 2:1 | | | |

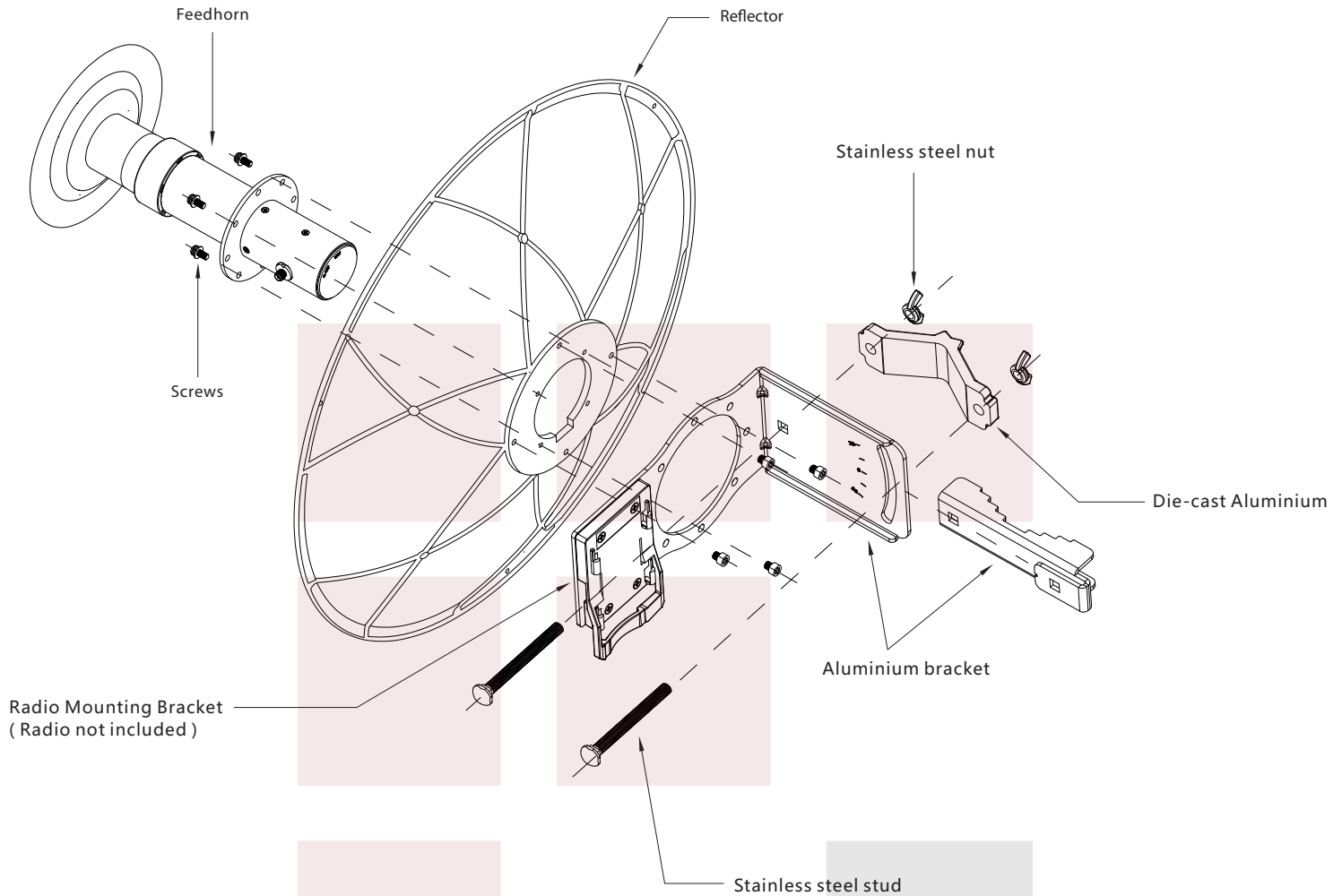

Features:

- 1-Foot standard parabolic antenna
- 4950 to 7125 MHz, 25 dBi
- VSWR < 2.5:1
- All aluminum dish
- Dual slant (V/H or ±45°)
- 50 W max input power per port
- 2 x RPSMA female connectors
- DC ground

Applications:

- Long distance backhaul
- Point to point data links (PtP)
- Point to multi-point data links (PtMP)
- Wi-Fi 5, Wi-Fi 6, Wi-Fi 6E and Wi-Fi 7
- Unlicensed 5GHz and 6GHz bands
- 5G bands - n46, n47, n96, n102, n104
- 2x2 MIMO capability
- High speed internet access

Fairview Microwave
 301 Leora Ln., Suite 100
 Lewisville, TX 75056
 Tel: 1-800-715-4396 / (972) 649-6678
 Fax: (972) 649-6689
www.fairviewmicrowave.com
sales@fairviewmicrowave.com



Mechanical Specifications

Radome Material

Aluminum

Size

Length

18 in [457.2 mm]

Width

18 in [457.2 mm]

Height

11 in [279.4 mm]

Mounting Mast Diameter

1.1811 to 1.9685 in [30.00 to 50.00 mm]

Weight

5.5 lbs [2.49 kg]

Environmental Specifications

Temperature

Operating Range

-40 to +70 deg C

Compliance Certifications (see [product page](#) for current document)

Plotted and Other Data

Notes:

4950 MHz to 7125 MHz, 1-foot Parabolic Antenna, 2x2 MIMO, 25 dBi, RPSMA from Fairview Microwave is in-stock and available to ship same-day. All of our RF/microwave products are available off-the-shelf from our ISO 9001:2008 certified facilities in Lewisville, Texas. Fairview Microwave is RF on-demand.

For additional information on this product, please click the following link: [4950 MHz to 7125 MHz, 1-foot Parabolic Antenna, 2x2 MIMO, 25 dBi, RPSMA FM51PD1007](#)

URL: <https://www.fairviewmicrowave.com/parabolic-antenna-4950-7125-mhz-sma-connector-fm51pd1007-p.aspx>

The information contained in this document is accurate to the best of our knowledge and representative of the part described herein. It may be necessary to make modifications to the part and/or the documentation of the part, in order to implement improvements. Fairview Microwave reserves the right to make such changes as required. Unless otherwise stated, all specifications are nominal. Fairview Microwave does not make any representation or warranty regarding the suitability of the part described herein for any particular purpose, and Fairview Microwave does not assume any liability arising out of the use of any part or documentation.



