

**4950 MHz to 7125 MHz, 2-foot Parabolic Antenna,  
2x2 MIMO, 30 dBi, RPSMA, 2 Pack**
**Description**

Fairview Microwave's FM51PD1010 is a MIMO vertical/horizontal polarized antenna that ships same day from our ISO 9001:2015 certified facility. This 2-port parabolic antenna has an 2-port SMA connector. The FM51PD1010 is a single-band antenna operating from 4950 to 7125 MHz with 30 dBi gain.

Fairview Microwave's MIMO parabolic antenna with a 4950 to 7125 MHz frequency range has a maximum input VSWR of 2.5:1.

The FM51PD1010 antenna has a white radome made of aluminum, an overall length of 23.6 in, width of 23.6 in, and weighs 13.22 lbs. Use our on-line ordering system to purchase your FM51PD1010 MIMO parabolic antenna 24 hours a day with same-day shipping and no MOQs (minimum order quantities).

**Configuration**

Design	Parabolic
Gain	29 dBi
Polarization	H/V or 45 Deg. Slant
Connector Type	SMA Reverse Polarity
Interface 2	SMA Reverse Polarity
Number of Ports	2
Lightning Protection	DC Grounded

**Electrical Specifications**

Description	Min	Typ	Max	Units
Frequency Range	4,950		7,125	MHz
Impedance		50		Ohms
Isolation		30		dB
Front to Back Ratio		35		dB
Horizontal (Azimuth) Beam Width		5		Degrees
Vertical (Elevation) Beam Width		5		Degrees
Input Power			50	Watts

**Specifications by Frequency**

Description	Band 1	Band 2	Band 3	Band 4	Band 5	Units
Range	4.95-5.1	5.1-5.9	5.9-7.125			GHz
Gain	29	30	31			dBi
VSWR	2.5:1	2:1	2:1			

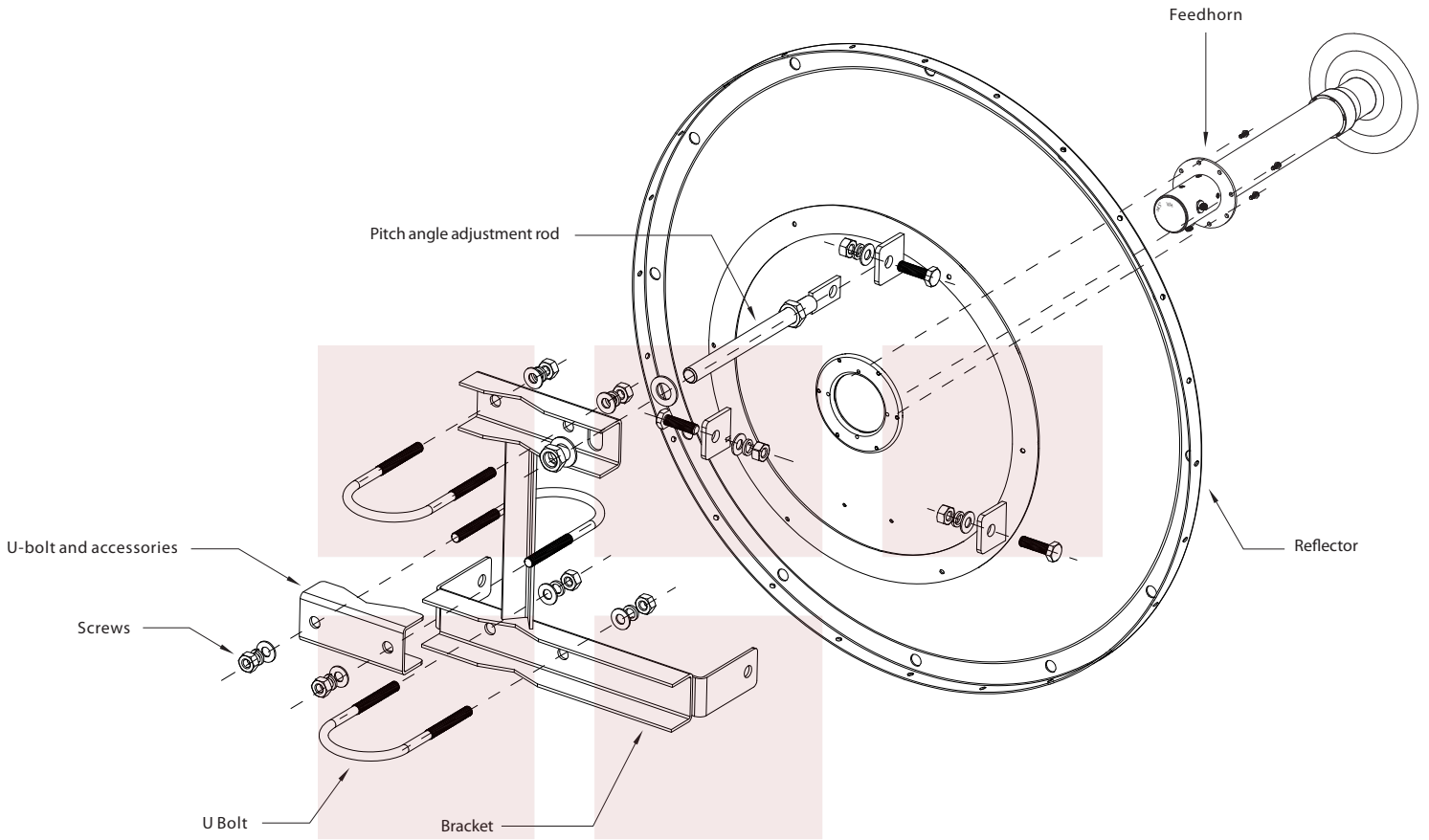

**Features:**

- 2-Foot standard parabolic antenna
- 4950 to 7125 MHz, 30 dBi
- VSWR < 2.5:1
- All aluminum dish
- Dual slant (V/H or ±45°)
- 50 W max input power per port
- 2 x RPSMA female connectors
- DC ground

**Applications:**

- Long distance backhaul
- Point to point data links (PtP)
- Point to multi-point data links (PtMP)
- Wi-Fi 5, Wi-Fi 6, Wi-Fi 6E and Wi-Fi 7
- Unlicensed 5GHz and 6GHz bands
- 5G bands - n46, n47, n96, n102, n104
- 2x2 MIMO capability
- High speed internet access

Fairview Microwave  
 301 Leora Ln., Suite 100  
 Lewisville, TX 75056  
 Tel: 1-800-715-4396 / (972) 649-6678  
 Fax: (972) 649-6689  
[www.fairviewmicrowave.com](http://www.fairviewmicrowave.com)  
[sales@fairviewmicrowave.com](mailto:sales@fairviewmicrowave.com)



**Mechanical Specifications**

Radome Material	Aluminum
<b>Size</b>	
Length	33 in [838.2 mm]
Width	27 in [685.8 mm]
Height	9 in [228.6 mm]
Mounting Mast Diameter	1.1811 to 3.14961 in [30.00 to 80.00 mm]
Weight	28.66 lbs [13 kg]

**Environmental Specifications**

<b>Temperature</b>	
Operating Range	-40 to +70 deg C

**Compliance Certifications** (see [product page](#) for current document)

**Plotted and Other Data**

Notes:

4950 MHz to 7125 MHz, 2-foot Parabolic Antenna, 2x2 MIMO, 30 dBi, RPSMA, 2 Pack from Fairview Microwave is in-stock and available to ship same-day. All of our RF/microwave products are available off-the-shelf from our ISO 9001:2008 certified facilities in Lewisville, Texas. Fairview Microwave is RF on-demand.

For additional information on this product, please click the following link: [4950 MHz to 7125 MHz, 2-foot Parabolic Antenna, 2x2 MIMO, 30 dBi, RPSMA, 2 Pack FM51PD1010](#)

URL: <https://www.fairviewmicrowave.com/parabolic-antenna-4950-7125-mhz-sma-connector-fm51pd1010-p.aspx>

The information contained in this document is accurate to the best of our knowledge and representative of the part described herein. It may be necessary to make modifications to the part and/or the documentation of the part, in order to implement improvements. Fairview Microwave reserves the right to make such changes as required. Unless otherwise stated, all specifications are nominal. Fairview Microwave does not make any representation or warranty regarding the suitability of the part described herein for any particular purpose, and Fairview Microwave does not assume any liability arising out of the use of any part or documentation.



