

## WR-90 Standard Gain Horn Antenna Operating From 8.2 GHz to 12.4 GHz, 10 dBi Nominal Gain, SMA Female Input Connector, ProLine

The Fairview Microwave FM9856B/SF-10 Proline series standard gain horn antenna (also known as waveguide horn) is part of our huge selection of waveguide antennas. This Fairview Microwave standard gain horn antenna is manufactured with a WR-90 input and a SMA waveguide to coaxial transition adapter. Our standard gain horn antenna, WR-90, has a 10 dBi nominal gain. This WR-90 standard gain horn from Fairview Microwave has a female SMA waveguide to coax transition adapter.

The 10 dBi Fairview Microwave WR-90 horn antenna operates from 8.2 GHz to 12.4 GHz. Fairview Microwave's SMA female WR-90 standard gain horns are available in 10, 15 and 20 dBi models with pyramidal shape and rectangular input. It is part of over 40,000 RF, microwave and millimeter wave components available at Fairview Microwave.

Waveguide standard gain horn antennas, such as the FM9856B/SF-10, are used in a wide variety of applications due to their high power handling capability, low loss, high directivity, and near constant electrical performance. The WR-90 FM9856B/SF-10 waveguide horn is US made and TAA compliant. Our WR-90 standard gain horn Proline antennas with Type N female interface can ship same day to anywhere in the world.

### Configuration

Pattern	Directional
Polarization	Linear
Coaxial Interface	SMA Female

### Electrical Specifications

Description	Min	Typ	Max	Units
Frequency Range	8.2		12.4	GHz
<b>Waveguide Standard Gain Horn</b>				
Gain		10		dB
<b>Waveguide to Coaxial Adapter</b>				
Input VSWR		1.3:1		

### Mechanical Specifications

<b>Size</b>	
Length	3.01 in 76.45 mm
Width/Diameter	1.58 in 40.13 mm
Height	1.22 in 30.99 mm
Weight	0.28 lbs 127.01 g

### RF Connector

Type	SMA Female
------	------------

### Environmental Specifications

### Compliance Certifications (see [product page](#) for current document)

### Plotted and Other Data

2 Dimensional OML Drawing	FM9856B/SF-10
Notes:	



### Features:

- WR-90 Rectangular Waveguide Interface
- 8.2 GHz to 12.4 GHz
- 10 dBi Nominal Gain
- SMA Female Connector

### Applications:

- Antenna Measurements
- Wireless Communication
- Laboratory Use
- Microwave Radio Systems

Fairview Microwave  
 301 Leora Ln., Suite 100  
 Lewisville, TX 75056  
 Tel: 1-800-715-4396 / (972) 649-6678  
 Fax: (972) 649-6689  
[www.fairviewmicrowave.com](http://www.fairviewmicrowave.com)  
[sales@fairviewmicrowave.com](mailto:sales@fairviewmicrowave.com)

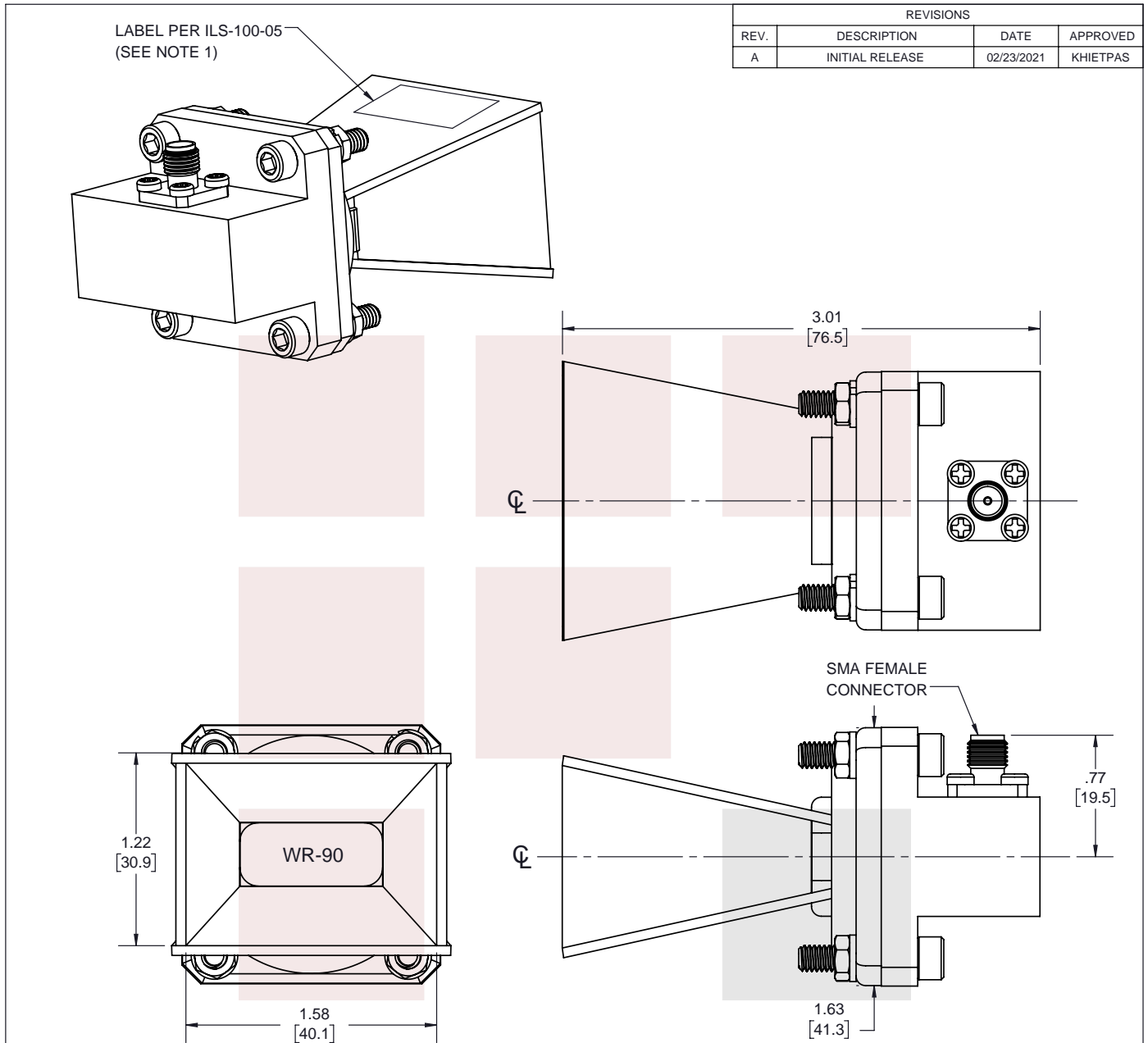
WR-90 Standard Gain Horn Antenna Operating From 8.2 GHz to 12.4 GHz, 10 dBi Nominal Gain, SMA Female Input Connector, ProLine from Fairview Microwave is in-stock and available to ship same-day. All of our RF/microwave products are available off-the-shelf from our ISO 9001:2008 certified facilities in Lewisville, Texas. Fairview Microwave is RF on-demand.

For additional information on this product, please click the following link: [WR-90 Standard Gain Horn Antenna Operating From 8.2 GHz to 12.4 GHz, 10 dBi Nominal Gain, SMA Female Input Connector, ProLine FM9856B/SF-10](#)

URL: <https://www.fairviewmicrowave.com/standard-gain-horn-10-db-sma-fm9856b-sf-10-p.aspx>

The information contained in this document is accurate to the best of our knowledge and representative of the part described herein. It may be necessary to make modifications to the part and/or the documentation of the part, in order to implement improvements. Fairview Microwave reserves the right to make such changes as required. Unless otherwise stated, all specifications are nominal. Fairview Microwave does not make any representation or warranty regarding the suitability of the part described herein for any particular purpose, and Fairview Microwave does not assume any liability arising out of the use of any part or documentation.





REVISIONS			
REV.	DESCRIPTION	DATE	APPROVED
A	INITIAL RELEASE	02/23/2021	KHIETPAS

- NOTES:  
 1. LABEL PER ILS-100-05 (FOR INTERNAL REFERENCE ONLY)  
 LABEL LOCATION FOR REFERENCE ONLY

THESE COMMODITIES, TECHNOLOGY OR SOFTWARE WERE EXPORTED FROM THE UNITED STATES IN ACCORDANCE WITH THE EXPORT ADMINISTRATION REGULATIONS. DIVERSION CONTRARY TO U.S. LAW PROHIBITED.

<p><b>Fairview Microwave</b> an INFINIT<sup>®</sup> brand</p>	<p>UNLESS OTHERWISE SPECIFIED LEADING DIMENSIONS ARE INCHES                  DIMENSIONS IN [ ] ARE MILLIMETERS</p> <p>TOLERANCES:      CABLE LENGTH (L) TOLERANCES:</p> <table border="0"> <tr> <td>.X = ±.2 [5.08]</td> <td>FRACTIONS</td> <td>L ≤ 12 [305] = +1 [25] / -0</td> </tr> <tr> <td>.XX = ±.02 [.51]</td> <td>± 1/32</td> <td>12 [305] &lt; L ≤ 60 [1524] = +2 [51] / -0</td> </tr> <tr> <td>.XXX = ±.005 [.13]</td> <td>ANGLES ± 1°</td> <td>60 [1524] &lt; L ≤ 120 [3048] = +4 [102] / -0</td> </tr> <tr> <td></td> <td></td> <td>120 [3048] &lt; L ≤ 300 [7620] = +6 [152] / -0</td> </tr> <tr> <td></td> <td></td> <td>300 [7620] &lt; L = +5%L / -0</td> </tr> </table>	.X = ±.2 [5.08]	FRACTIONS	L ≤ 12 [305] = +1 [25] / -0	.XX = ±.02 [.51]	± 1/32	12 [305] < L ≤ 60 [1524] = +2 [51] / -0	.XXX = ±.005 [.13]	ANGLES ± 1°	60 [1524] < L ≤ 120 [3048] = +4 [102] / -0			120 [3048] < L ≤ 300 [7620] = +6 [152] / -0			300 [7620] < L = +5%L / -0	<p>THIRD-ANGLE PROJECTION</p> <p>THE INFORMATION AND DESIGN IN THIS DOCUMENT IS THE PROPERTY OF FAIRVIEW MICROWAVE CORPORATION. ALL RIGHTS RESERVED.</p>
	.X = ±.2 [5.08]	FRACTIONS	L ≤ 12 [305] = +1 [25] / -0														
.XX = ±.02 [.51]	± 1/32	12 [305] < L ≤ 60 [1524] = +2 [51] / -0															
.XXX = ±.005 [.13]	ANGLES ± 1°	60 [1524] < L ≤ 120 [3048] = +4 [102] / -0															
		120 [3048] < L ≤ 300 [7620] = +6 [152] / -0															
		300 [7620] < L = +5%L / -0															
<p>TITLE</p> <p>WR-90 Standard Gain Horn Antenna Operating From 8.2 GHz to 12.4 GHz, 10 dBi Nominal Gain, SMA Female Input Connector, ProLine</p>	<p>ALL DIMENSIONS SHOWN ARE FOR REFERENCE ONLY.</p>	<p>SHEET 1 OF 1</p> <p>SCALE N/A</p>															
<p>SIZE A</p>	<p>CAGE CODE 3FKR5</p>	<p>DRAWN BY BPUCHASKI</p>	<p>ITEM NO. FM9856B/SF-10</p>	<p>REV A</p>													

T-Rev.D