

WR-102 Waveguide Standard Gain Horn Antenna With Flange, 15 dBi Gain and 7 GHz to 11 GHz

The Pro-series WR-102 FM9857B-15 standard gain horn antenna (also known as waveguide horn) from Fairview Microwave has a nominal gain of 15 dBi. The Fairview Microwave 15 dBi WR-102 horn antenna operates from 7 GHz to 11 GHz. This WR-102 standard gain horn has a square type flange. The WR-102 FM9857B-15 waveguide horn is part of over 40,000 RF, microwave and millimeter wave components available from Fairview Microwave. Waveguide standard gain horn antennas are used in a wide variety of applications due to their high power handling capability, low loss, high directivity, and near constant electrical performance. The Pro-series gain horns are US made and TAA compliant. Fairview Microwave's WR-102 standard gain horns are available in 10, 15 and 20 dBi models with pyramidal shape and rectangular input. Pro-series WR-102 standard gain horn antenna can ship the same day to anywhere in the world.

Configuration

Design	WR-102 Standard Gain Horn
Pattern	Directional
Polarization	Linear

Electrical Specifications

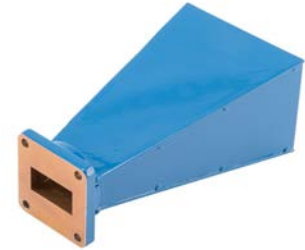
Description	Min	Typ	Max	Units
Frequency Range	7		11	GHz
Nominal Gain		15		dB
VSWR		1.5:1		

Mechanical Specifications

Size	
Length	5.08 in [129.03 mm]
Width/Diameter	2.82 in [71.63 mm]
Height	2.09 in [53.09 mm]
Weight	0.1 lbs [45.36 g]

Waveguide Interface

Waveguide Size	WR-102
Flange Type	Square Cover
Body Material and Plating	Aluminum



Features:

- WR-102 Rectangular Waveguide Interface
- 7 GHz to 11 GHz
- 15 dBi Nominal Gain
- square Cover Flange

Applications:

- Antenna Measurements
- Wireless Communication
- Laboratory Use
- Microwave Radio Systems

Compliance Certifications (see [product page](#) for current document)

Plotted and Other Data

Notes:

Fairview Microwave
 301 Leora Ln., Suite 100
 Lewisville, TX 75056
 Tel: 1-800-715-4396 / (972) 649-6678
 Fax: (972) 649-6689
www.fairviewmicrowave.com
sales@fairviewmicrowave.com

WR-102 Waveguide Standard Gain Horn Antenna With Flange, 15 dBi Gain and 7 GHz to 11 GHz from Fairview Microwave is in-stock and available to ship same-day. All of our RF/microwave products are available off-the-shelf from our ISO 9001:2008 certified facilities in Lewisville, Texas. Fairview Microwave is RF on-demand.

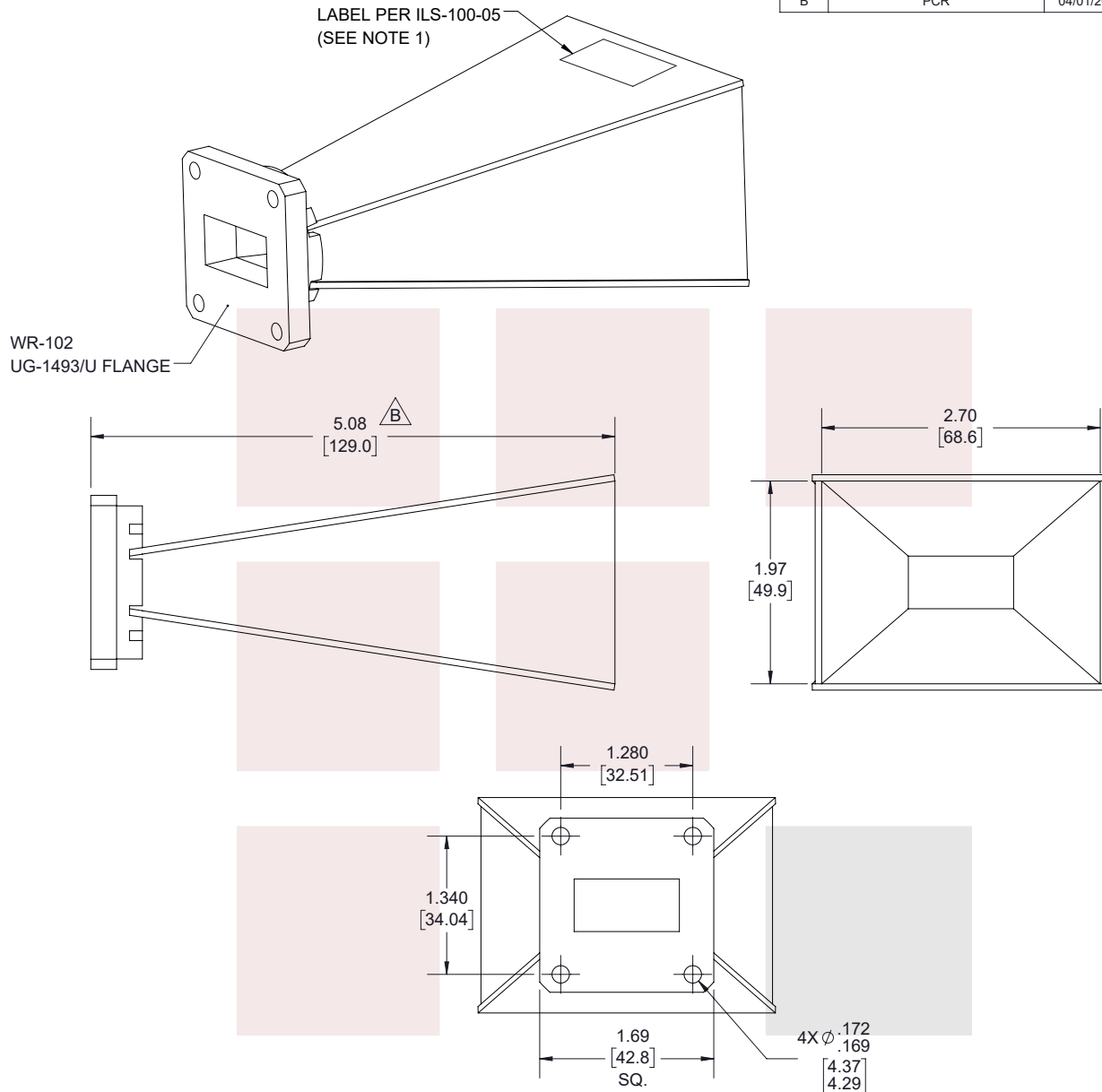
For additional information on this product, please click the following link: [WR-102 Waveguide Standard Gain Horn Antenna With Flange, 15 dBi Gain and 7 GHz to 11 GHz FM9857B-15](#)

URL: <https://www.fairviewmicrowave.com/wr-102-waveguide-standard-gain-horn-15-db-fm9857b-15-p.aspx>

The information contained in this document is accurate to the best of our knowledge and representative of the part described herein. It may be necessary to make modifications to the part and/or the documentation of the part, in order to implement improvements. Fairview Microwave reserves the right to make such changes as required. Unless otherwise stated, all specifications are nominal. Fairview Microwave does not make any representation or warranty regarding the suitability of the part described herein for any particular purpose, and Fairview Microwave does not assume any liability arising out of the use of any part or documentation.



REVISIONS			
REV.	DESCRIPTION	DATE	APPROVED
B	PCR	04/01/2022	KHIETPAS



- NOTES:
1. LABEL PER ILS-100-05 (FOR INTERNAL REFERENCE ONLY)
LABEL LOCATION FOR REFERENCE ONLY

THESE COMMODITIES, TECHNOLOGY OR SOFTWARE WERE EXPORTED FROM THE UNITED STATES IN ACCORDANCE WITH THE EXPORT ADMINISTRATION REGULATIONS. DIVERSION CONTRARY TO U.S. LAW PROHIBITED.

TITLE
WR-102 Waveguide Standard Gain Horn Antenna With Flange, 15 dBi Gain and 7 GHz to 11 GHz

UNLESS OTHERWISE SPECIFIED LEADING DIMENSIONS ARE INCHES
DIMENSIONS IN [] ARE MILLIMETERS

TOLERANCES: CABLE LENGTH (L) TOLERANCES:

.X = ±.2 [5.08] FRACTIONS L ≤ 12 [305] = +1 [25] / -0
.XX = ±.02 [.51] ± 1/32 12 [305] < L ≤ 60 [1524] = +2 [51] / -0
.XXX = ±.005 [.13] ANGLES ± 1° 60 [1524] < L ≤ 120 [3048] = +4 [102] / -0
120 [3048] < L ≤ 300 [7620] = +6 [152] / -0
300 [7620] < L = +5%L / -0

THIRD-ANGLE PROJECTION



THE INFORMATION AND DESIGN IN THIS DOCUMENT IS THE PROPERTY OF FAIRVIEW MICROWAVE CORPORATION. ALL RIGHTS RESERVED.

SHEET 1 OF 1

ALL DIMENSIONS SHOWN ARE FOR REFERENCE ONLY.

SCALE N/A

SIZE A	CAGE CODE 3FKR5	DRAWN BY BPUCHASKI	ITEM NO. FM9857B-15	REV B
-----------	--------------------	-----------------------	------------------------	----------

T-Rev.D