

902 to 928 MHz, RFID Flat Panel Antenna, 10 dBi Gain RP TNC male, PVC Radome, RHCP

Fairview Microwave's FMANFP1028 is a Directional RFID flat panel RHCP antenna. The FMANFP1028 with a 10 dBi gain nominal is a Directional antenna. Our 902-928 MHz RP TNC male connector, flat panel antenna has a gain of 10 dBi.

With an impedance of 50 Ohms and max input power of 20 Watts, the FMANFP1028 RFID flat panel is well suited for Radio Frequency Identification tag reading applications. Contact Fairview Microwave's antenna experts for any assistance on 902-928 MHz, 10 dBi RP TNC male connector antennas. This 10 dBi gain RFID antenna is highly directional providing the reader radio the capabilities of simultaneously reading a multitude of RFID tags with a high degree of accuracy.

Fairview's RFID FMANFP1028 has a radome made of PVC in White color and comes from a facility certified to ISO 9001:2015.

This Reverse Polarity TNC connectized Antenna has an overall length of 18 in, width of 6 in, and weighs 2.42 lbs. Use our on-line ordering system to purchase your FMANFP1028 RFID Directional RHCP antenna 24 hours a day with same-day shipping and no MOQs (minimum order quantities).

Configuration

Design	Flat Panel
Gain	10
Polarization	RHCP
Cable Type	RG142
Connector Type	TNC Male Reverse Polarity
Lightning Protection	DC Grounded

Electrical Specifications

Description	Min	Typ	Max	Units
Frequency Range	902		928	MHz
Input VSWR			1.3:1	
Impedance		50		Ohms
Gain		10		dBi
Front to Back Ratio		15		dB
Horizontal (Azimuth) Beam Width		80		Degrees
Vertical (Elevation) Beam Width		30		Degrees
Input Power			20	Watts

Mechanical Specifications

Radome Material	PVC
Size	
Length	18 in [457.2 mm]
Width	6 in [152.4 mm]
Height	1 in [25.4 mm]
Weight	0.5 lbs [226.8 g]

Environmental Specifications

Temperature	
Operating Range	-40 to +60 deg C


Features:

- High Performance Multi-tag read/write Capabilities
- Concealable Design
- Right Hand Circular Polarized
- 902 to 928 MHz Frequency Range
- 2 Meter Cable
- RP TNC Male Connector

Applications:

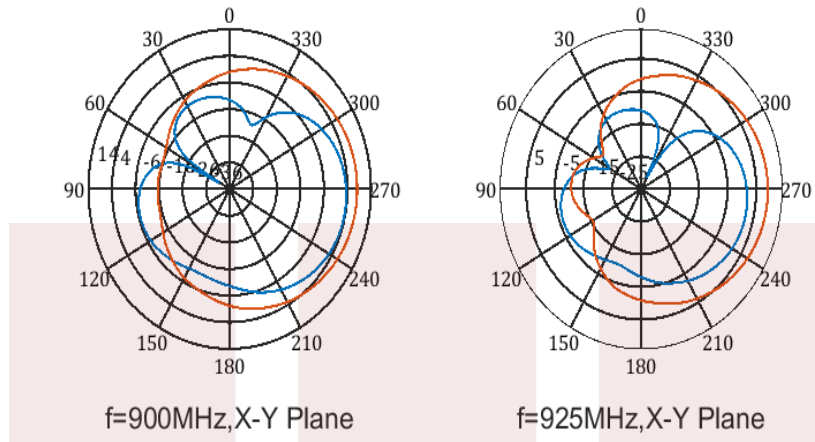
- Radio Frequency Identification
- Inventory Management
- Access Control
- Data Collection
- Asset Tracking
- Livestock Management

Fairview Microwave
 301 Leora Ln., Suite 100
 Lewisville, TX 75056
 Tel: 1-800-715-4396 / (972) 649-6678
 Fax: (972) 649-6689
www.fairviewmicrowave.com
sales@fairviewmicrowave.com

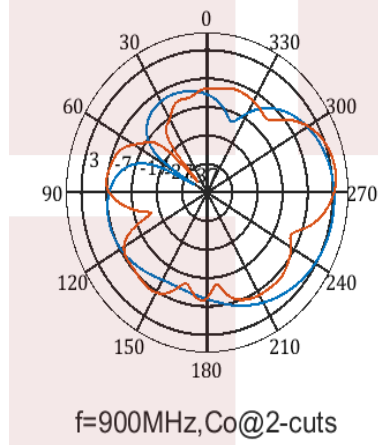
Compliance Certifications (see [product page](#) for current document)

Plotted and Other Data

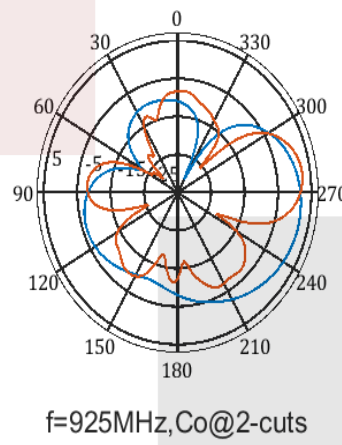
Notes:



2D Pattern: Co@2-cuts



2D Pattern: Co@2-cuts



2D Pattern: @phi=90(Vertical)

n

902 to 928 MHz, RFID Flat Panel Antenna, 10 dBi Gain RP TNC male, PVC Radome, RHCP from Fairview Microwave is in-stock and available to ship same-day. All of our RF/microwave products are available off-the-shelf from our ISO 9001:2008 certified facilities in Lewisville, Texas. Fairview Microwave is RF on-demand.

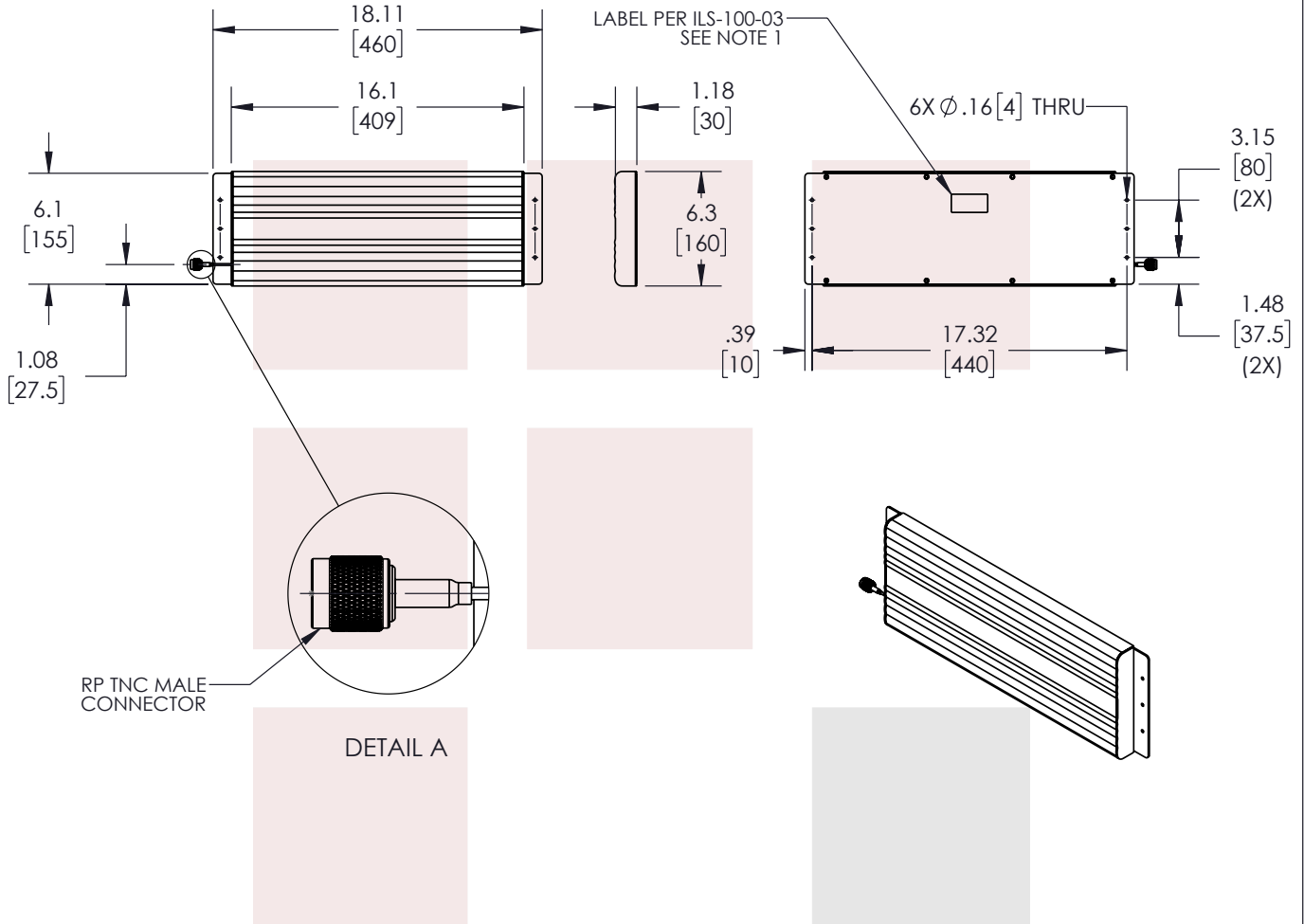
For additional information on this product, please click the following link: [902 to 928 MHz, RFID Flat Panel Antenna, 10 dBi Gain RP TNC male, PVC Radome, RHCP FMANFP1028](#)

URL: <https://www.fairviewmicrowave.com/10-dbi-flat-panel-antenna-902-928-mhz-tnc-connector-fmanfp1028-p.aspx>

The information contained in this document is accurate to the best of our knowledge and representative of the part described herein. It may be necessary to make modifications to the part and/or the documentation of the part, in order to implement improvements. Fairview Microwave reserves the right to make such changes as required. Unless otherwise stated, all specifications are nominal. Fairview Microwave does not make any representation or warranty regarding the suitability of the part described herein for any particular purpose, and Fairview Microwave does not assume any liability arising out of the use of any part or documentation.



REVISIONS			
REV.	DESCRIPTION	DATE	APPROVED
A	INITIAL RELEASE	11/21/22	KHIETPAS



NOTES:
1. LABEL PER ILS-100-03 (FOR INTERNAL USE ONLY). LABEL LOCATION SHOWN IS FOR REFERENCE ONLY.

REGULATORY COMPLIANCE:
EU RoHS DIRECTIVE (MOST RECENT RELEASED VERSION)

THESE COMMODITIES, TECHNOLOGY OR SOFTWARE WERE EXPORTED FROM THE UNITED STATES IN ACCORDANCE WITH THE EXPORT ADMINISTRATION REGULATIONS. DIVERSION CONTRARY TO U.S. LAW PROHIBITED.

<p>Fairview Microwave an INFINIT[®] brand</p>	UNLESS OTHERWISE SPECIFIED LEADING DIMENSIONS ARE INCHES DIMENSIONS IN [] ARE MILLIMETERS		THIRD-ANGLE PROJECTION 	
	TOLERANCES:		CABLE LENGTH (L) TOLERANCES:	
TITLE 902 to 928 MHz, RFID Flat Panel Antenna, 10 dBi Gain RP TNC male, PVC Radome, RHCP	.X = ±.2 [5.08] FRACTIONS	L ≤ 12 [305] = +1 [25] / -0	THE INFORMATION AND DESIGN IN THIS DOCUMENT IS THE PROPERTY OF FAIRVIEW MICROWAVE CORPORATION. ALL RIGHTS RESERVED.	
	.XX = ±.02 [.51] ± 1/32	12 [305] < L ≤ 60 [1524] = +2 [51] / -0	SHEET 1 OF 1	
.XXX = ±.005 [.13] ANGLES ± 1°	60 [1524] < L ≤ 120 [3048] = +4 [102] / -0	SCALE N/A		
ALL DIMENSIONS SHOWN ARE FOR REFERENCE ONLY.		REV A		
SIZE A	CAGE CODE 3FKR5	DRAWN BY VTHANGARAJ	ITEM NO. FMANFP1028	REV A

T-Rev.D