

**902 to 928 MHz, RFID Flat Panel Antenna, 5 dBi Gain  
 SMA Male, EVA Radome, RHCP**

Fairview Microwave's FMANFP1049 is a RHCP RFID flat panel antenna. The FMANFP1049 with a 5 dBi gain nominal is a Directional antenna. Our 902 to 928 MHz antenna has SMA Male connector.

With an impedance of 50 Ohms and max input power of 20 Watts, the FMANFP1049 flat panel RHCP antenna is well suited for Radio Frequency Identification tag reading applications. This 902-928 MHz 5 dBi gain RFID antenna is highly directional providing the reader radio the capabilities of simultaneously reading a multitude of RFID tags with a high degree of accuracy.

Fairview Microwave's RFID FMANFP1049 has a radome made of EVA in Black color and comes from a facility certified to ISO 9001:2015. This SMA Male connected Antenna has an overall length of 20 in, width of 13.7 in, and weighs 1 lbs. Use our on-line ordering system to purchase your FMANFP1049 RFID Directional RHCP antenna 24 hours a day with same-day shipping and no MOQs (minimum order quantities).

**Configuration**

Design	Flat Panel
Gain	5
Polarization	RHCP
Cable Type	RG316
Connector Type	SMA Male
Connector Type Specification	MIL-STD-348A
Lightning Protection	DC Grounded

**Electrical Specifications**

Description	Min	Typ	Max	Units
Frequency Range	902		928	MHz
Input VSWR			1.5:1	
Impedance		50		Ohms
Gain		5		dBi
Front to Back Ratio		20		dB
Horizontal (Azimuth) Beam Width		45		Degrees
Vertical (Elevation) Beam Width		30		Degrees
Input Power			20	Watts

**Mechanical Specifications**

Radome Material	EVA
<b>Size</b>	
Length	20 in [508 mm]
Width	13.7 in [347.98 mm]
Height	0.19 in [4.83 mm]
Weight	1 lbs [453.59 g]
<b>Connector 1</b>	
Inner Conductor Material and Plating	Brass, Gold
Inner Conductor Plating Specification	30 µin minimum
Coupling Nut Material and Plating	Brass, Nickel
Coupling Nut Plating Specification	100 µin minimum


**Features:**

- High Performance Multi-tag read/write Capabilities
- Lightweight, Concealable Design
- Right Hand Circular Polarized
- 902 to 928 MHz Frequency Range
- 2 Meter Cable
- SMA Male Connector

**Applications:**

- Radio Frequency Identification
- Inventory Management
- Access Control
- Data Collection
- Asset Tracking
- Livestock Management

Fairview Microwave  
 301 Leora Ln., Suite 100  
 Lewisville, TX 75056  
 Tel: 1-800-715-4396 / (972) 649-6678  
 Fax: (972) 649-6689  
[www.fairviewmicrowave.com](http://www.fairviewmicrowave.com)  
[sales@fairviewmicrowave.com](mailto:sales@fairviewmicrowave.com)

Hex Size	5/16 inch
Body Material and Plating	Brass, Nickel
Body Plating Specification	100 µin minimum

**Environmental Specifications**

**Temperature**

Operating Range -20 to +65 deg C

**Compliance Certifications** (see [product page](#) for current document)

**Plotted and Other Data**

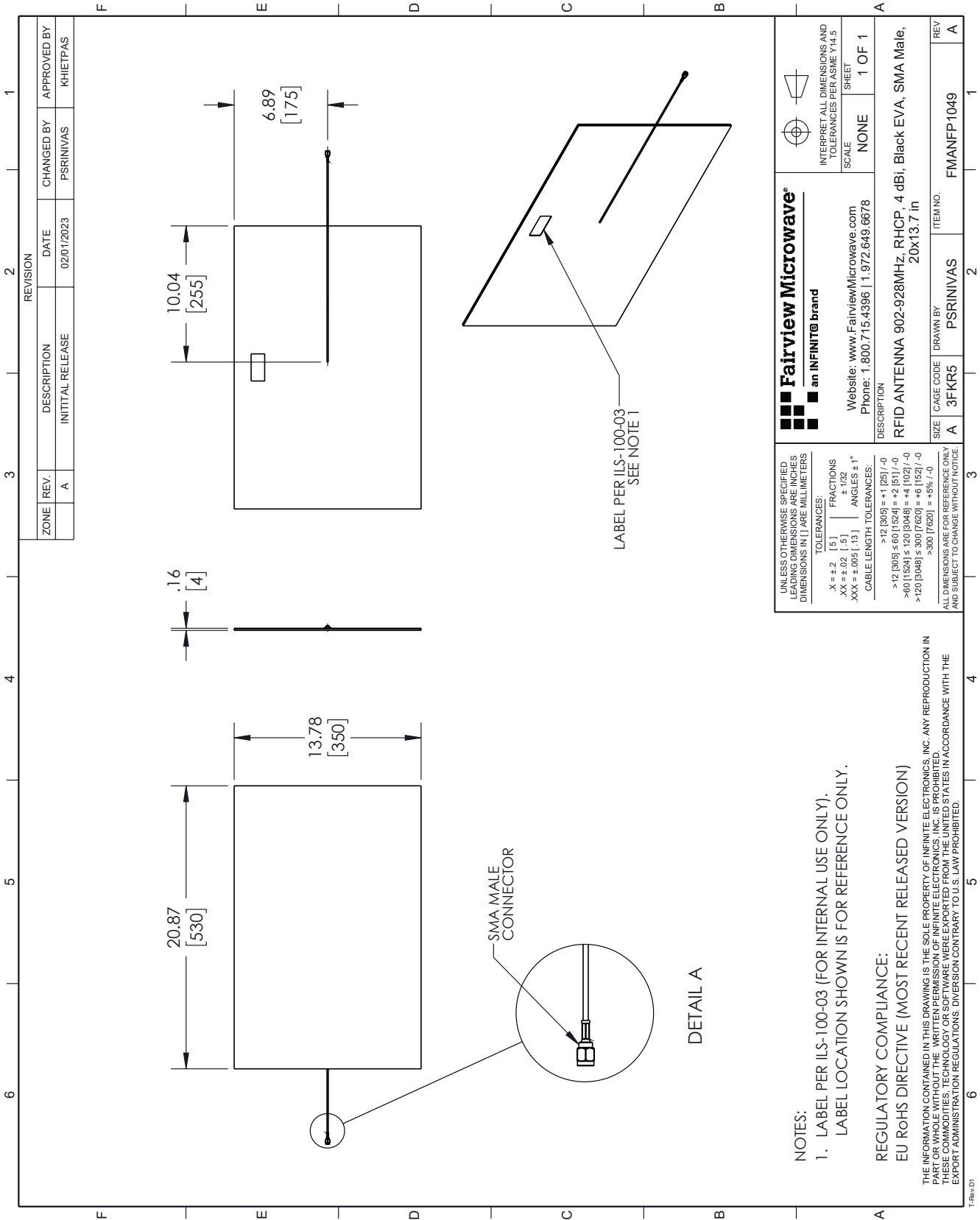
Notes:

902 to 928 MHz, RFID Flat Panel Antenna, 5 dBi Gain SMA Male, EVA Radome, RHCP from Fairview Microwave is in-stock and available to ship same-day. All of our RF/microwave products are available off-the-shelf from our ISO 9001:2008 certified facilities in Lewisville, Texas. Fairview Microwave is RF on-demand.

For additional information on this product, please click the following link: [902 to 928 MHz, RFID Flat Panel Antenna, 5 dBi Gain SMA Male, EVA Radome, RHCP FMANFP1049](#)

URL: <https://www.fairviewmicrowave.com/5-dbi-flat-panel-antenna-902-928-mhz-sma-connector-fmanfp1049-p.aspx>

The information contained in this document is accurate to the best of our knowledge and representative of the part described herein. It may be necessary to make modifications to the part and/or the documentation of the part, in order to implement improvements. Fairview Microwave reserves the right to make such changes as required. Unless otherwise stated, all specifications are nominal. Fairview Microwave does not make any representation or warranty regarding the suitability of the part described herein for any particular purpose, and Fairview Microwave does not assume any liability arising out of the use of any part or documentation.



REVISION		DATE	CHANGED BY	APPROVED BY
ZONE	REV.	DESCRIPTION	INITIAL RELEASE	
	A			
			PSRINIVAS	KHIETPAS

<p><b>Fairview Microwave</b> an INFINIT<sup>®</sup> brand</p>		<p>INTERPRET ALL DIMENSIONS AND TOLERANCES PER ASME Y14.5</p>
Website: <a href="http://www.FairviewMicrowave.com">www.FairviewMicrowave.com</a>	Phone: 1.800.715.4396   1.972.649.6678	SCALE: NONE
DESCRIPTION		SHEET: 1 OF 1
RFID ANTENNA 902-928MHz, RHCP, 4 dB <sub>i</sub> , Black EVA, SMA Male, 20x13.7 in		
SIZE: A	CAGE CODE: 3FKR5	ITEM NO.: FMANFP1049
REV: A	REV: A	REV: A

UNLESS OTHERWISE SPECIFIED, DIMENSIONS ARE IN INCHES AND DIMENSIONS IN LARGE MILLIMETERS

TOLERANCES:  
 .X = ±.2 [5]      FRACTIONS ± 1/32  
 .XX = ±.02 [ .5]      ANGLES ± 1°  
 .XXX = ±.005 [ .13]

CABLE LENGTH TOLERANCES:  
 >12 [305] ≤ 60 [1524] = +1 [25] / -0  
 >60 [1524] ≤ 120 [3048] = +4 [102] / -0  
 >120 [3048] ≤ 300 [7620] = +6 [152] / -0  
 >300 [7620] = +5% / -0

ALL DIMENSIONS ARE FOR REFERENCE ONLY AND SUBJECT TO CHANGE WITHOUT NOTICE.

**NOTES:**  
 1. LABEL PER ILS-100-03 (FOR INTERNAL USE ONLY). LABEL LOCATION SHOWN IS FOR REFERENCE ONLY.

**REGULATORY COMPLIANCE:**  
 EU RoHS DIRECTIVE (MOST RECENT RELEASED VERSION)

THE INFORMATION CONTAINED IN THIS DRAWING IS THE SOLE PROPERTY OF INFINITE ELECTRONICS, INC. ANY REPRODUCTION IN WHOLE OR IN PART WITHOUT THE WRITTEN AUTHORIZATION OF INFINITE ELECTRONICS, INC. IS PROHIBITED. THESE COMMODITIES, TECHNOLOGY OR SOFTWARE WERE EXPORTED FROM THE UNITED STATES IN ACCORDANCE WITH THE EXPORT ADMINISTRATION REGULATIONS. DIVERSION CONTRARY TO U.S. LAW PROHIBITED.