

**902 to 928 MHz, RFID Flat Panel Antenna, 5 dBi Gain
 RP SMA Male, ABS Radome, RHCP**

Fairview Microwave's FMANFP1059 is a RHCP RFID flat panel antenna. The FMANFP1059 with a 5 dBi gain nominal is a Directional antenna. Our 902 to 928 MHz antenna has Reverse Polarity SMA Male connector.

With an impedance of 50 Ohms and max input power of 20 Watts, the FMANFP1059 flat panel RHCP antenna is well suited for Radio Frequency Identification tag reading applications. This 902-928 MHz 5 dBi gain RFID antenna is highly directional providing the reader radio the capabilities of simultaneously reading a multitude of RFID tags with a high degree of accuracy.

Fairview Microwave's RFID FMANFP1059 has a radome made of ABS in White color and comes from a facility certified to ISO 9001:2015. This RP SMA Male connectized Antenna has an overall length of 5.7 in, width of 5.7 in, and weighs 0.66 lbs. Use our on-line ordering system to purchase your FMANFP1059 RFID Directional RHCP antenna 24 hours a day with same-day shipping and no MOQs (minimum order quantities).

Configuration

Design	Flat Panel
Gain	5
Polarization	RHCP
Cable Type	RG58U
Connector Type	SMA Male Reverse Polarity
Lightning Protection	DC Grounded

Electrical Specifications

Description	Min	Typ	Max	Units
Frequency Range	902		928	MHz
Input VSWR			1.3:1	
Impedance		50		Ohms
Gain		5		dBi
Front to Back Ratio		17		dB
Horizontal (Azimuth) Beam Width		120		Degrees
Vertical (Elevation) Beam Width		130		Degrees
Input Power			20	Watts

Mechanical Specifications

Radome Material	ABS
Size	
Length	5.7 in [144.78 mm]
Width	5.7 in [144.78 mm]
Height	1 in [25.4 mm]
Weight	0.66 lbs [299.37 g]
Connector 1	
Inner Conductor Material and Plating	Beryllium Copper, Gold
Inner Conductor Plating Specification	QQ-C-530
Coupling Nut Plating Specification	QQ-B-626
Body Material and Plating	Brass, Nickel
Body Plating Specification	QQ-B-626


Features:

- High Performance Multi-tag read/write Capabilities
- Lightweight, Concealable Design
- Right Hand Circular Polarized
- 902 to 928 MHz Frequency Range
- 2 Meter Cable
- RP SMA Male Connector

Applications:

- Radio Frequency Identification
- Inventory Management
- Access Control
- Data Collection
- Asset Tracking
- Livestock Management

Fairview Microwave
 301 Leora Ln., Suite 100
 Lewisville, TX 75056
 Tel: 1-800-715-4396 / (972) 649-6678
 Fax: (972) 649-6689
www.fairviewmicrowave.com
sales@fairviewmicrowave.com

Environmental Specifications

Temperature

Operating Range -20 to +65 deg C

Ingress Protection IP67

Compliance Certifications (see [product page](#) for current document)

Plotted and Other Data

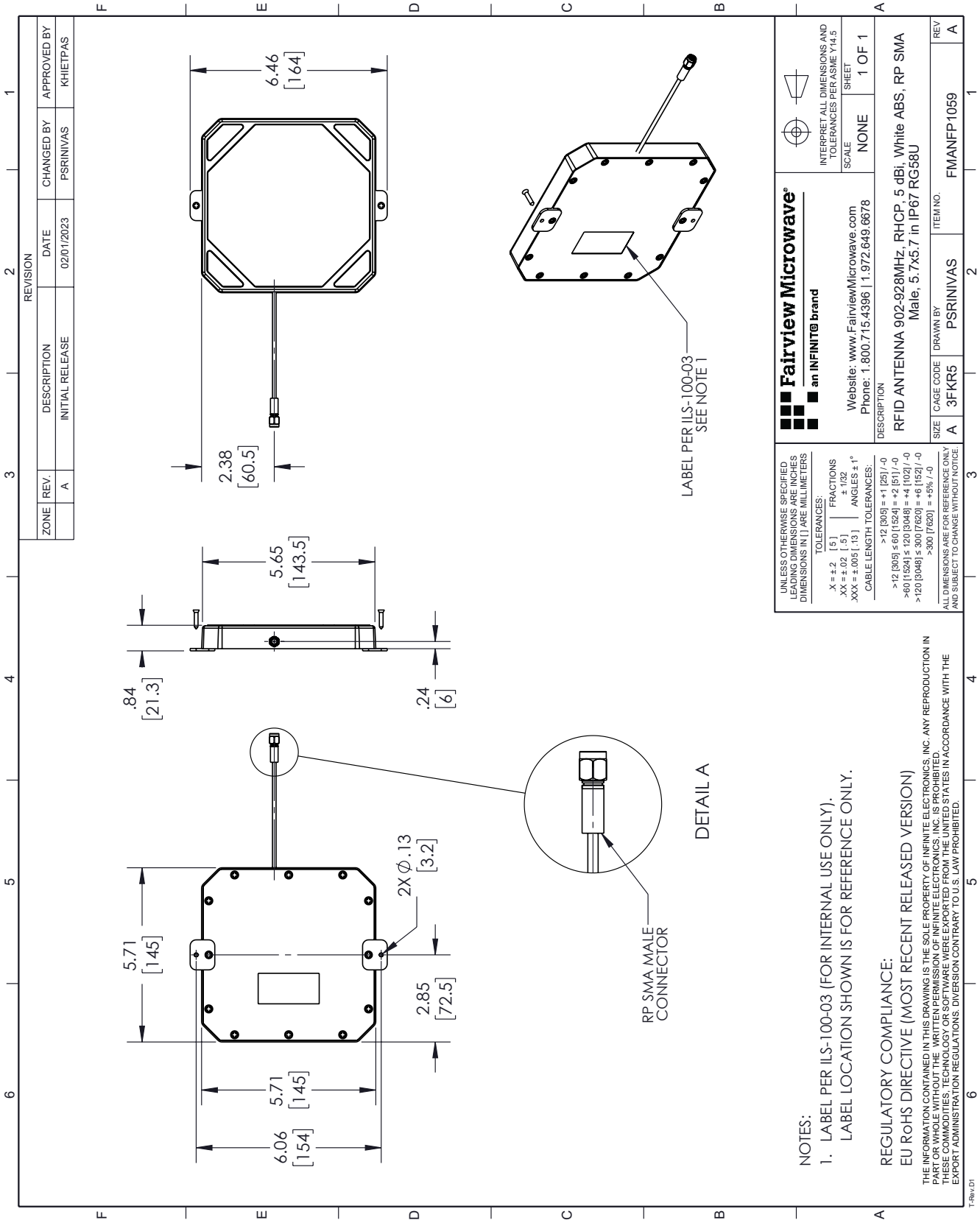
Notes:

902 to 928 MHz, RFID Flat Panel Antenna, 5 dBi Gain RP SMA Male, ABS Radome, RHCP from Fairview Microwave is in-stock and available to ship same-day. All of our RF/microwave products are available off-the-shelf from our ISO 9001:2008 certified facilities in Lewisville, Texas. Fairview Microwave is RF on-demand.

For additional information on this product, please click the following link: [902 to 928 MHz, RFID Flat Panel Antenna, 5 dBi Gain RP SMA Male, ABS Radome, RHCP FMANFP1059](#)

URL: <https://www.fairviewmicrowave.com/5-dbi-flat-panel-antenna-902-928-mhz-sma-connector-fmanfp1059-p.aspx>

The information contained in this document is accurate to the best of our knowledge and representative of the part described herein. It may be necessary to make modifications to the part and/or the documentation of the part, in order to implement improvements. Fairview Microwave reserves the right to make such changes as required. Unless otherwise stated, all specifications are nominal. Fairview Microwave does not make any representation or warranty regarding the suitability of the part described herein for any particular purpose, and Fairview Microwave does not assume any liability arising out of the use of any part or documentation.



REVISION		DESCRIPTION	DATE	CHANGED BY	APPROVED BY
ZONE	REV.	INITIAL RELEASE	02/01/2023	PSRINIVAS	KHIETPAS
	A				

<p>Fairview Microwave an INFINIT[®] brand</p>		<p>INTERPRET ALL DIMENSIONS AND TOLERANCES PER ASME Y14.5</p>
Website: www.FairviewMicrowave.com Phone: 1.800.715.4396 1.972.649.6678		SCALE: NONE SHEET: 1 OF 1
DESCRIPTION: RFID ANTENNA 902-928MHz, RHCP, 5 dBi, White ABS, RP SMA Male, 5.7X5.7 in IP67 RG68U		

UNLESS OTHERWISE SPECIFIED, ALL DIMENSIONS AND TOLERANCES ARE IN INCHES UNLESS OTHERWISE SPECIFIED. DIMENSIONS IN LARGE MILLIMETERS.	TOLERANCES: .X = ±.2 [5] .XX = ±.02 [1.5] .XXX = ±.005 [13]	FRACTIONS: ± 1/32 ANGLES ± 1°
CABLE LENGTH TOLERANCES: >12 [305] = ±1 [25] / -0 >12 [305] ≤ 60 [1524] = +2 [51] / -0 >60 [1524] ≤ 120 [3048] = +4 [102] / -0 >120 [3048] ≤ 300 [7620] = +6 [152] / -0 >300 [7620] = +5% / -0		

NOTES:

- LABEL PER ILS-100-03 (FOR INTERNAL USE ONLY). LABEL LOCATION SHOWN IS FOR REFERENCE ONLY.

REGULATORY COMPLIANCE:
EU ROHS DIRECTIVE (MOST RECENT RELEASED VERSION)

THE INFORMATION CONTAINED IN THIS DRAWING IS THE SOLE PROPERTY OF INFINITE ELECTRONICS, INC. ANY REPRODUCTION IN WHOLE OR IN PART WITHOUT THE WRITTEN PERMISSION OF INFINITE ELECTRONICS, INC. IS PROHIBITED. THESE COMMODITIES, TECHNOLOGY OR SOFTWARE WERE EXPORTED FROM THE UNITED STATES IN ACCORDANCE WITH THE EXPORT ADMINISTRATION REGULATIONS. DIVERSION CONTRARY TO U.S. LAW PROHIBITED.

SIZE	CAGE CODE	DRAWN BY	ITEM NO.	REV
A	3FKR5	PSRINIVAS	FMANFP1059	A