

Multi Band 47dBi GPS/GNSS Survey Antenna 1,164-1,615 MHz TNC Female Connector IP67

The FMANGPS1004 is an active GPS/GNSS multi band L1/L2/L5 antenna with 47.5 dBi overall gain. This high precision antenna is IP67 rated, light weight and designed for Survey. The active Survey GPS/GNSS antenna is ideally suited for use in harsh operating environments where stability and reliability of GPS/GNSS signal is required.

This antenna operates in the 1.164-1.3GHz and 1.525-1.615GHz bands meeting GPS L1/L2/L5, GALILEO E1/E6/E5a/E5b and GLONASS L1/L2/L3 requirements. The FMANGPS1004 antenna has an integrated LNA with 2 dB noise figure and typical LNA gain of 40 dB.

The FMANGPS1004 GPS/GNSS antenna from Fairview Microwave, with an axial ratio of 3 dB, can track visible satellites under extreme conditions, providing positioning solutions with accuracy for UAV navigation, autonomous tracking, or GIS surveying.

Configuration

Design	GPS/GNSS
Gain	47.5 to 47.5 dBi
Polarization	RHCP
Connector Type	TNC Female

Electrical Specifications

Description	Min	Typ	Max	Units
Frequency Range	1,164		1,615	MHz
Output VSWR			2:1	
Impedance		50		Ohms
Gain		47.5		dBi
Noise Figure		2		dB
Operating DC Voltage	3.3		12	Volts
Current			45	mA
Axial Ratio		3		dB

Specifications by Frequency

Description	Band 1	Band 2	Band 3	Band 4	Band 5	Units
Range	1.164-1.3	1.525-1.615				GHz
Gain	47.5	47.5				dBi

Mechanical Specifications

Size	
Length	5.98 in [151.89 mm]
Width	5.98 in [151.89 mm]
Height	2.44 in [61.98 mm]
Weight	1.2 lbs [544.31 g]



Features:

- Multi Band
- IP67 Rated
- 1.164-1.3GHz and 1.525-1.615GHz
- Stable Phase Center
- Millimeter Level Accuracy
- TNC Female

Applications:

- GPS L1/L2/L5
- GLONASS L1/L2/L3
- Galileo E1/E5a/E5b/E6
- BDS B1/B2/B3
- QZSS L1/L2/L5/L6
- SBAS L1/L5
- IRNSS L5
- Unmanned Vehicles/Vessels
- GIS Surveying
- Autonomous Vehicles

Fairview Microwave
301 Leora Ln., Suite 100
Lewisville, TX 75056
Tel: 1-800-715-4396 / (972) 649-6678
Fax: (972) 649-6689
www.fairviewmicrowave.com
sales@fairviewmicrowave.com

Environmental Specifications

Temperature

Operating Range	-40 to +85 deg C
Storage Range	-55 to +85 deg C
Humidity	95%

Compliance Certifications (see [product page](#) for current document)

Plotted and Other Data

Notes:

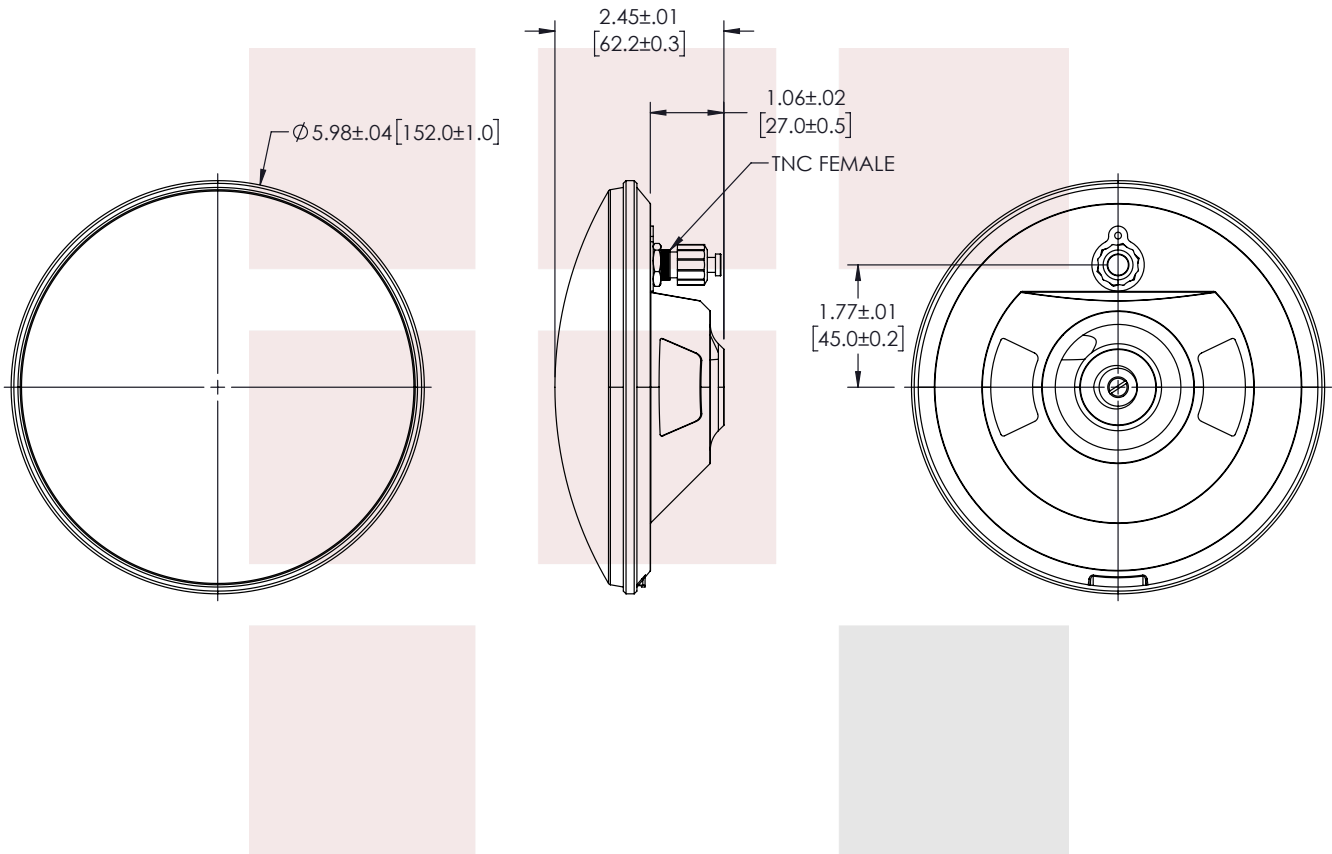
Multi Band 47dBi GPS/GNSS Survey Antenna 1,164-1,615 MHz TNC Female Connector IP67 from Fairview Microwave is in-stock and available to ship same-day. All of our RF/microwave products are available off-the-shelf from our ISO 9001:2008 certified facilities in Lewisville, Texas. Fairview Microwave is RF on-demand.

For additional information on this product, please click the following link: [Multi Band 47dBi GPS/GNSS Survey Antenna 1,164-1,615 MHz TNC Female Connector IP67 FMANGPS1004](#)

URL: <https://www.fairviewmicrowave.com/gps-active-band-antenna-1.164-1.615-ghz-47.5-dbi-gain-tnc-female-connector-rhcp-fmangps1004-p.aspx>

The information contained in this document is accurate to the best of our knowledge and representative of the part described herein. It may be necessary to make modifications to the part and/or the documentation of the part, in order to implement improvements. Fairview Microwave reserves the right to make such changes as required. Unless otherwise stated, all specifications are nominal. Fairview Microwave does not make any representation or warranty regarding the suitability of the part described herein for any particular purpose, and Fairview Microwave does not assume any liability arising out of the use of any part or documentation.

REVISIONS			
REV.	DESCRIPTION	DATE	APPROVED
A	INITIAL RELEASE	5/9/2022	KHIETPAS



THESE COMMODITIES, TECHNOLOGY OR SOFTWARE WERE EXPORTED FROM THE UNITED STATES IN ACCORDANCE WITH THE EXPORT ADMINISTRATION REGULATIONS. DIVERSION CONTRARY TO U.S. LAW PROHIBITED.

TITLE

Multi Band 47dBi GPS/GNSS Survey Antenna 1,164-1,615 MHz TNC Female Connector IP67

UNLESS OTHERWISE SPECIFIED LEADING DIMENSIONS ARE INCHES
DIMENSIONS IN [] ARE MILLIMETERS

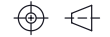
TOLERANCES:

.X = ± 0.2 [5.08] FRACTIONS ± 1/32
.XX = ± 0.02 [51] ± 1/32
.XXX = ± 0.005 [13] ANGLES ± 1°

CABLE LENGTH (L) TOLERANCES:

L ≤ 12 [305] = +1 [25] / -0
12 [305] < L ≤ 60 [1524] = +2 [51] / -0
60 [1524] < L ≤ 120 [3048] = +4 [102] / -0
120 [3048] < L ≤ 300 [7620] = +6 [152] / -0
300 [7620] < L = +5%L / -0

THIRD-ANGLE PROJECTION



THE INFORMATION AND DESIGN IN THIS DOCUMENT IS THE PROPERTY OF FAIRVIEW MICROWAVE CORPORATION. ALL RIGHTS RESERVED.

SHEET 1 OF 1

ALL DIMENSIONS SHOWN ARE FOR REFERENCE ONLY.

SCALE N/A

SIZE A	CAGE CODE 3FKR5	DRAWN BY HBAKKE	ITEM NO. FMANGPS1004	REV A
-----------	--------------------	--------------------	-------------------------	----------

T-Rev.D