

806-960 / 1710-2500 MHz, 9 dBi Gain, V-pol, Type N Female

The Log Periodic antenna FMANLP1007 from Fairview Microwave is a high-performance RF component which operates from 806 to 2500 MHz with 9 dBi of gain. FMANLP1007 is ideal for applications where directivity and coverage are very important like for point-to-point applications, 5G, LTE, CMDA, LoRA, IoT, WIFI. For long distance directional communication over a wide range of frequencies FMANLP1007 is best.

The FMANLP1007 has a 12 inches long pigtail terminated with 1 Type N Female connector. The log periodic FMANLP1007 has 55 vertical beamwidth and 65 horizontal beamwidth. This antenna has Vertical polarization and the included mounting brackets allow for either vertical or horizontal mounting configurations with easy install instructions. Log periodic antennas function as boosters where the existing cellular signal is weak and needs to reach further distances.

Fairview Microwave's 806 to 2500 MHz log periodic antenna FMANLP1007 antennas has 9 dBi max gain for 5G DAS networks operate in bands n1, n2, n3, n5, n8, n18, n20, n25, n26, n30, n34, n39, n40, n41, n53, n65, n66, n67, n70, n80, n81, n82, n84, n86, n89, n90, n91, n92, n93, n94, n95, n97, n98. This 5G directional log periodic antenna with N Female Type connector is in stock and ready to ship the same day. Contact our knowledgeable and friendly technical support and sales staff for your answers on antennas or other Fairview Microwave products.

Configuration

Design	Log Periodic
Gain	9 dBi
Polarization	Vertical
Cable Type	Coax Cable
Cable Length	11.8 in [299.72 mm]
Connector Type	N Female
Number of Ports	1

Electrical Specifications

Description	Min	Typ	Max	Units
Frequency Range	806		2,500	MHz
Input VSWR			1.5:1	
Impedance		50		Ohms
Gain			9	dBi
Front to Back Ratio		14		dB
Input Power			100	Watts

Specifications by Frequency

Description	Band 1	Band 2	Band 3	Band 4	Band 5	Units
Range	0.806-0.96	1.71-2.5				GHz
Gain	9	9				dBi
Horiz. Beam Width	55	55				Degrees
Vert. Beam Width	65	65				Degrees
VSWR	1.5:1	1.5:1				
Max Input Power	100	100				Watts



Features:

- Frequency coverage for 806 MHz to 2500 MHz
- Very High Gain 9 dBi Directional Antenna
- Each connector covers wide band of frequencies
- Easy Install universal mounting bracket provided
- Weatherproof ABS radome
- Pigtail – 12 inches
- N-Type Female connector

Applications:

- Point-to-point, LPWAN, LoRA, LTE-M, NB-IoT, IoT, M2M applications
- 5G / 4G LTE B1 to B11, B18 to B21, B23, B24, B25 / 3G / GSM / AWS / WLAN operation supported
- 5G Bands supported
- DAS (Distributed Antenna Systems)
- IEEE 802.11a / b / g / n / ac / ad / ah/ ax Wi-Fi applications
- Public safety, utilities, CCTV and local radio coverage
- Smart cities expansion for coverage and IOT / IIOT

Fairview Microwave
 301 Leora Ln., Suite 100
 Lewisville, TX 75056
 Tel: 1-800-715-4396 / (972) 649-6678
 Fax: (972) 649-6689
www.fairviewmicrowave.com
sales@fairviewmicrowave.com

Mechanical Specifications

Radome Material	ABS
Size	
Length	11.8 in [299.72 mm]
Width	2.9 in [73.66 mm]
Height	8.3 in [210.82 mm]
Weight	1.8 lbs [816.47 g]

Environmental Specifications

Temperature	
Operating Range	-40 to +65 deg C
Wind Loading	130.5 MPH [210.02 KPH]

Compliance Certifications (see [product page](#) for current document)

Plotted and Other Data

Notes:

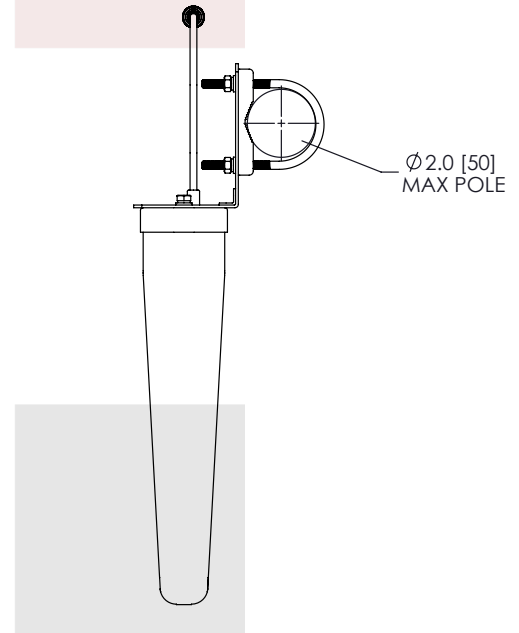
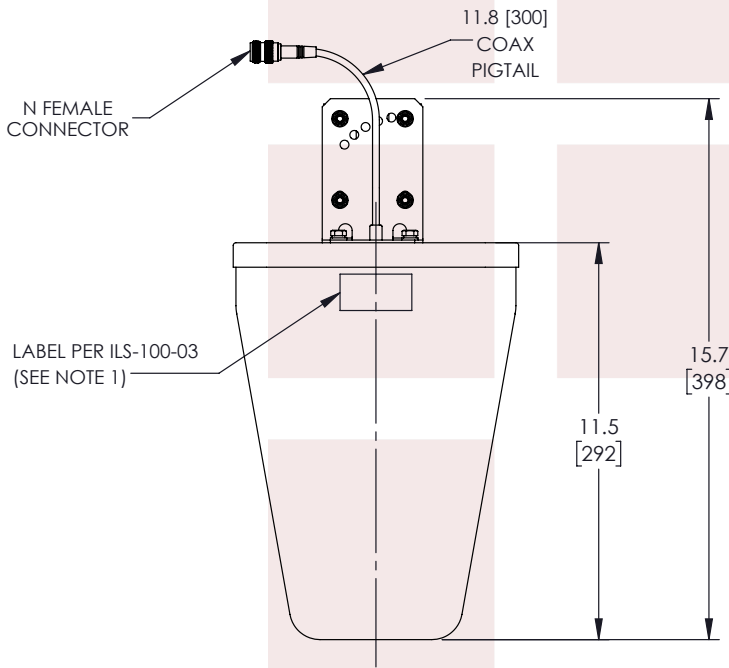
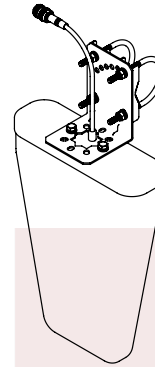
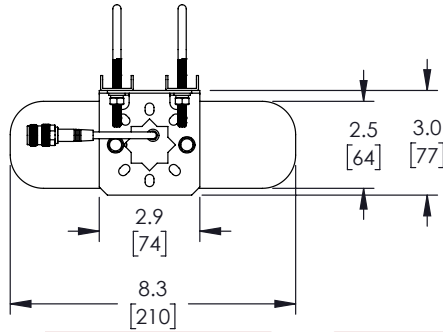
806-960 / 1710-2500 MHz, 9 dBi Gain, V-pol, Type N Female from Fairview Microwave is in-stock and available to ship same-day. All of our RF/microwave products are available off-the-shelf from our ISO 9001:2008 certified facilities in Lewisville, Texas. Fairview Microwave is RF on-demand.

For additional information on this product, please click the following link: [806-960 / 1710-2500 MHz, 9 dBi Gain, V-pol, Type N Female FMANLP1007](#)

URL: <https://www.fairviewmicrowave.com/multi-band-antenna-0-dbi-n-female-fmanlp1007-p.aspx>

The information contained in this document is accurate to the best of our knowledge and representative of the part described herein. It may be necessary to make modifications to the part and/or the documentation of the part, in order to implement improvements. Fairview Microwave reserves the right to make such changes as required. Unless otherwise stated, all specifications are nominal. Fairview Microwave does not make any representation or warranty regarding the suitability of the part described herein for any particular purpose, and Fairview Microwave does not assume any liability arising out of the use of any part or documentation.

REVISIONS			
REV.	DESCRIPTION	DATE	APPROVED
A	INITIAL RELEASE	03/21/2022	K.HIETPAS



NOTES:

- LABEL PER ILS-100-03 (FOR INTERNAL REFERENCE ONLY)
LABEL LOCATION FOR REFERENCE ONLY

THESE COMMODITIES, TECHNOLOGY OR SOFTWARE WERE EXPORTED FROM THE UNITED STATES IN ACCORDANCE WITH THE EXPORT ADMINISTRATION REGULATIONS. DIVERSION CONTRARY TO U.S. LAW PROHIBITED.

<p>Fairview Microwave an INFINIT[®] brand</p>	<p>UNLESS OTHERWISE SPECIFIED LEADING DIMENSIONS ARE INCHES DIMENSIONS IN [] ARE MILLIMETERS</p> <p>TOLERANCES: CABLE LENGTH (L) TOLERANCES:</p> <table border="0"> <tr> <td>.X = ±.2 [5.08]</td> <td>FRACTIONS</td> <td>L ≤ 12 [305] = +1 [25] / -0</td> </tr> <tr> <td>.XX = ±.02 [.51]</td> <td>± 1/32</td> <td>12 [305] < L ≤ 60 [1524] = +2 [51] / -0</td> </tr> <tr> <td>.XXX = ±.005 [.13]</td> <td>ANGLES ± 1°</td> <td>60 [1524] < L ≤ 120 [3048] = +4 [102] / -0</td> </tr> <tr> <td></td> <td></td> <td>120 [3048] < L ≤ 300 [7620] = +6 [152] / -0</td> </tr> <tr> <td></td> <td></td> <td>300 [7620] < L = +5%L / -0</td> </tr> </table>		.X = ±.2 [5.08]	FRACTIONS	L ≤ 12 [305] = +1 [25] / -0	.XX = ±.02 [.51]	± 1/32	12 [305] < L ≤ 60 [1524] = +2 [51] / -0	.XXX = ±.005 [.13]	ANGLES ± 1°	60 [1524] < L ≤ 120 [3048] = +4 [102] / -0			120 [3048] < L ≤ 300 [7620] = +6 [152] / -0			300 [7620] < L = +5%L / -0	<p>THIRD-ANGLE PROJECTION</p> <p>THE INFORMATION AND DESIGN IN THIS DOCUMENT IS THE PROPERTY OF FAIRVIEW MICROWAVE CORPORATION. ALL RIGHTS RESERVED.</p>
	.X = ±.2 [5.08]	FRACTIONS	L ≤ 12 [305] = +1 [25] / -0															
.XX = ±.02 [.51]	± 1/32	12 [305] < L ≤ 60 [1524] = +2 [51] / -0																
.XXX = ±.005 [.13]	ANGLES ± 1°	60 [1524] < L ≤ 120 [3048] = +4 [102] / -0																
		120 [3048] < L ≤ 300 [7620] = +6 [152] / -0																
		300 [7620] < L = +5%L / -0																
<p>TITLE</p> <p>806-960 / 1710-2500 MHz, 9 dBi Gain, V-pol, Type N Female</p>	<p>ALL DIMENSIONS SHOWN ARE FOR REFERENCE ONLY.</p>		<p>SHEET 1 OF 1</p> <p>SCALE N/A</p>															
<p>SIZE A</p>	<p>CAGE CODE 3FKR5</p>	<p>DRAWN BY K.GLEBOVA</p>	<p>ITEM NO. FMANLP1007</p> <p>REV A</p>															

T-Rev.D