

2400-2500, 5150-7125 MHz Wi-Fi 6E Omni MIMO Antenna, 4 dBi Gain, 4 N Type Female Connectors

The FMANOM1061 Wi-Fi 6e Omni Antenna from Fairview Microwave is a high performance omnidirectional antenna designed for the 2400 MHz to 7125 MHz bands and is available to ship same day. It is a UV protected, outdoor rated antenna with omni-directional pattern. The FMANOM1061 is ideally suited for 802.11 protocols including 802.11ax as well as Zigbee, Bluetooth and is 4x4 MIMO capable.

The Fairview Microwave high performance omni FMANOM1061 is a rugged antenna providing broad coverage, low latency, increased network capacity and 6 dBi gain. This 4 port N Female omnidirectional antenna is suitable for commercial radios and access points in public and private networks that are equipped with N Type connectors.

This Wi-Fi 6e FMANOM1061 omni antenna with 4 N Female connectors, as well as our wide selection of superior quality RF parts, ships same day. Contact our knowledgeable and friendly technical support and sales staff for your answers on antennas or other Fairview Microwave products.

Configuration

Design	Omni
Gain	4 dBi
Polarization	Vertical
Cable Type	RG58/U
Cable Length	36 in [914.4 mm]
Connector Type	N Female
Number of Ports	4

Electrical Specifications

Description	Min	Typ	Max	Units
Frequency Range	2,400		7,125	MHz
Input VSWR			2:1	
Impedance		50		Ohms
Input Power			50	Watts

Specifications by Frequency

Description	Band 1	Band 2	Band 3	Band 4	Band 5	Units
Range	2.4-2.5	5.15-7.125				GHz
Gain	4	6				dBi
Horiz. Beam Width	360	360				Degrees
Vert. Beam Width	55	35				Degrees



Features:

- N Type Female Connector
- 4 x Vertical Polarization
- 4x4 MIMO Functionality
- Outdoor Rated Omnidirectional Antenna
- 2.4 GHz, 5 GHz, 6 GHz Wi-Fi Bands
- 6 dBi gain

Applications:

- Infotainment systems, Routers, Wi-Fi hotspots, HD video transmission, Gateways, Dash cameras, Public transportation
- Connected cars or self-driving cars, Fleet management, Logistics
- Public Safety Networks
- Zigbee, Bluetooth, Wi-Fi

Fairview Microwave
301 Leora Ln., Suite 100
Lewisville, TX 75056
Tel: 1-800-715-4396 / (972) 649-6678
Fax: (972) 649-6689
www.fairviewmicrowave.com
sales@fairviewmicrowave.com

Mechanical Specifications

Radome Material	UV Resistant ABS
Size	
Length	3 in [76.2 mm]
Width	5.7 in [144.78 mm]
Height	5.7 in [144.78 mm]
Weight	2 lbs [907.18 g]
Color	White

Environmental Specifications

Temperature	
Operating Range	-40 to +70 deg C
Humidity	5 to 95

Compliance Certifications (see [product page](#) for current document)

Plotted and Other Data

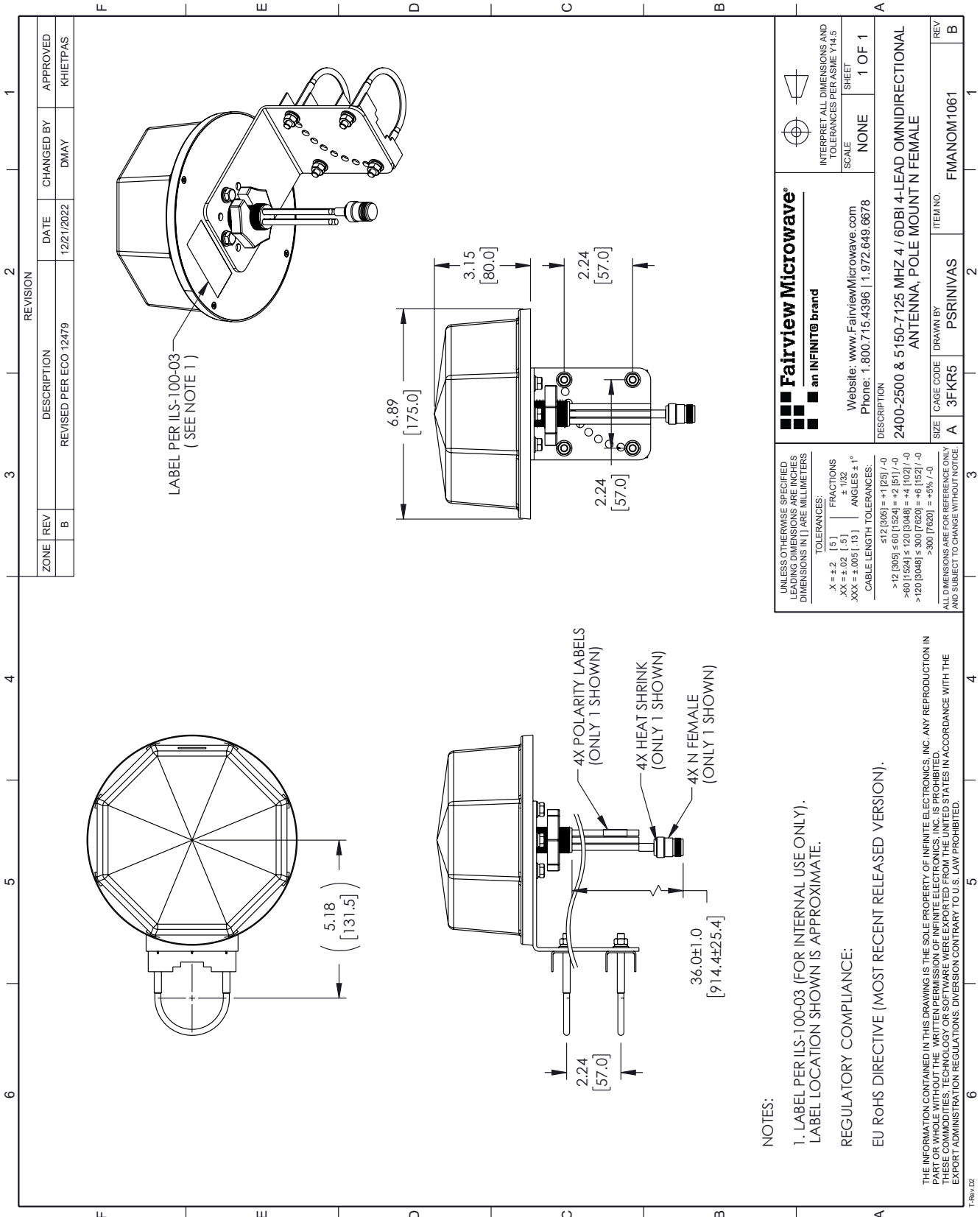
Notes:

2400-2500, 5150-7125 MHz Wi-Fi 6E Omni MIMO Antenna, 4 dBi Gain, 4 N Type Female Connectors from Fairview Microwave is in-stock and available to ship same-day. All of our RF/microwave products are available off-the-shelf from our ISO 9001:2008 certified facilities in Lewisville, Texas. Fairview Microwave is RF on-demand.

For additional information on this product, please click the following link: [2400-2500, 5150-7125 MHz Wi-Fi 6E Omni MIMO Antenna, 4 dBi Gain, 4 N Type Female Connectors FMANOM1061](#)

URL: <https://www.fairviewmicrowave.com/2400-2500-5150-7125-mhz-wf-fi-6e-omni-mimo-antenna-4-dbi-gain-4-n-type-female-connectors-fmanom1061-p.aspx>

The information contained in this document is accurate to the best of our knowledge and representative of the part described herein. It may be necessary to make modifications to the part and/or the documentation of the part, in order to implement improvements. Fairview Microwave reserves the right to make such changes as required. Unless otherwise stated, all specifications are nominal. Fairview Microwave does not make any representation or warranty regarding the suitability of the part described herein for any particular purpose, and Fairview Microwave does not assume any liability arising out of the use of any part or documentation.



Fairview Microwave[®]
an INFINIT[®] brand

Website: www.FairviewMicrowave.com
Phone: 1-800-715-4396 | 1-972-649-6678

INTERPRET ALL DIMENSIONS AND TOLERANCES PER ASME Y14.5
SCALE: NONE
SHEET: 1 OF 1

DESCRIPTION:
2400-2500 & 5150-7125 MHZ 4 / 6DBI 4-LEAD OMNIDIRECTIONAL ANTENNA, POLE MOUNT N FEMALE

SIZE: A
CAGE CODE: 3FKR5
DRAWN BY: PSRINIVAS
ITEM NO.: FMANOM1061
REV: B